



RFL2V-LED50

Performance Light LED



(Mounting Sold Separately)

IDEAL APPLICATIONS

- ✓ Facades ✓ Monuments ✓ Flood Lighting
- ✓ Sign Lighting

DESCRIPTION:

Ruggedly designed, high performance, versatile flood lights with a range of options for mounting (knuckle or yoke), beam distributions (NEMA 6X6 or NEMA 4X4), colour temperatures (5K or 4K or 3K), paint finish and more.

FEATURES:

- Die cast aluminum with powder coat paint finish and clear polycarbonate lens
- Bronze finish is standard and custom paint options available.
- Available in two beam distributions. Wide beam (NEMA 6X6) for general flood for applications requiring a large and uniform light pattern or Narrow beam (NEMA 4X4) for accenting monuments and facades.
- Knuckle Mount (1/2" NPS) or Yoke Mount Options available.
- Mounting option of choice to be purchased separately and can be custom painted.
- Wire Guard and Visor accessories are optional.
- Photocell included as a standard option, can be deactivated by covering with the cap provided.

SPECIFICATIONS

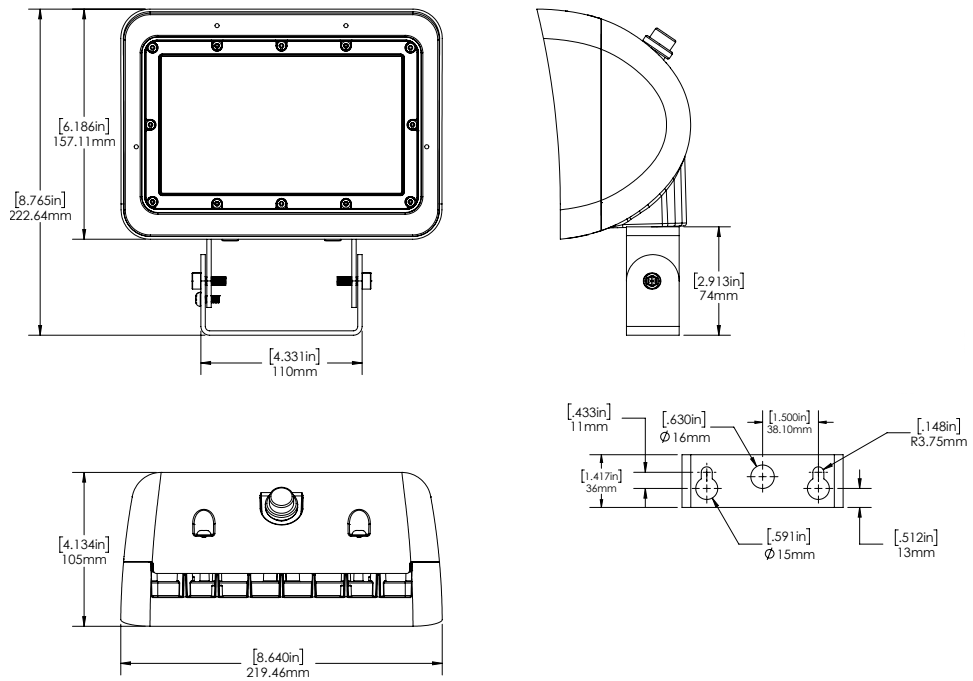
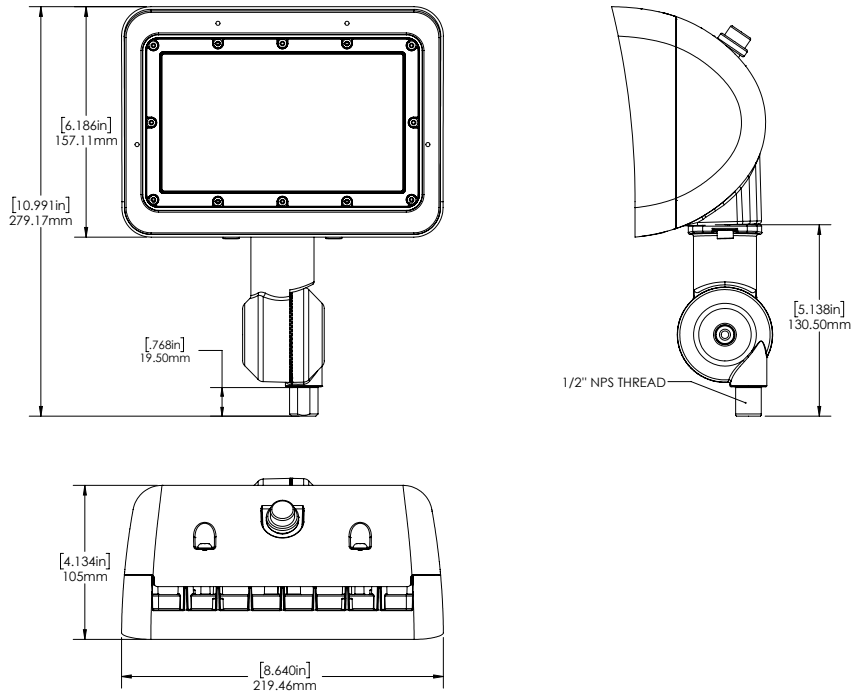
RFL2V-LED50

Watts	51.23 W
Lumens	7700 lm
Efficacy	150.30 lm/W
Voltage	120-277V*, 480V
CCT	3000K/4000K/5000K*
CRI	72
Dimming	0-10V Dim to Off
THD	9.43%
PF	0.99
Beam Distribution	Wide (NEMA 6x6)*, Narrow (NEMA 4x4)
LED Life (L80)	>72000 hours
Housing Finish	Bronze*, Custom Colors
Housing Details	Die Cast Aluminum
Lens Details	Clear Polycarbonate Lens
Operating Temp.	-40°C to +40°C (-40°F to 104°F)
Cable Length	1m Cab Tire Cable (STW 5x18 AWG)
Mounting	Yoke, Knuckle
Factory Installed Options	10kV Surge Suppressor
Options Sold Separately	Yoke, Knuckle, Wire Guard, Visor
Certifications Logos	UL, Wet Locations, IP65, DLC Premium

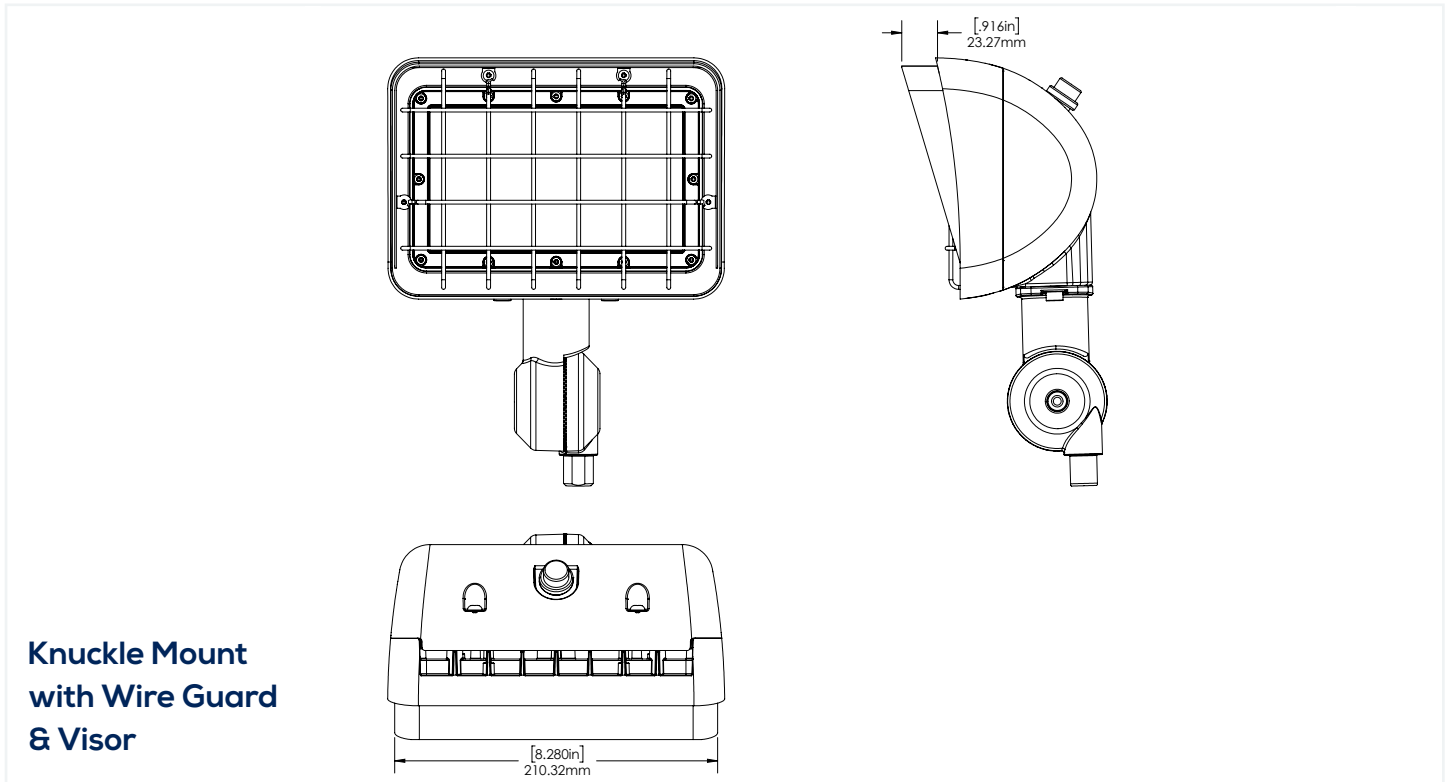
Note: Specs shown are for 120-277V/5000K
*Standard Configuration



DIMENSIONS:



DIMENSIONS:



ACCESSORIES:



Note: Hardware for installation included in package
Visor and wire guard can be used together

AMPERAGE DRAW & SURGE PROTECTION

	CURRENT (A)					INTERNAL SURGE PROTECTION (kV)	
	120V	208V	240V	277V	480V	120-277V	480V
RFL2V-LED50	0.45A	0.26A	0.23A	0.2A	0.12A	6kV	6kV

TM-21 ESTIMATED LUMEN MAINTENANCE

	50,000 Hours	75,000 Hours	100,000 Hours
RFL2V-LED50	87.2%	81.2%	75.6%

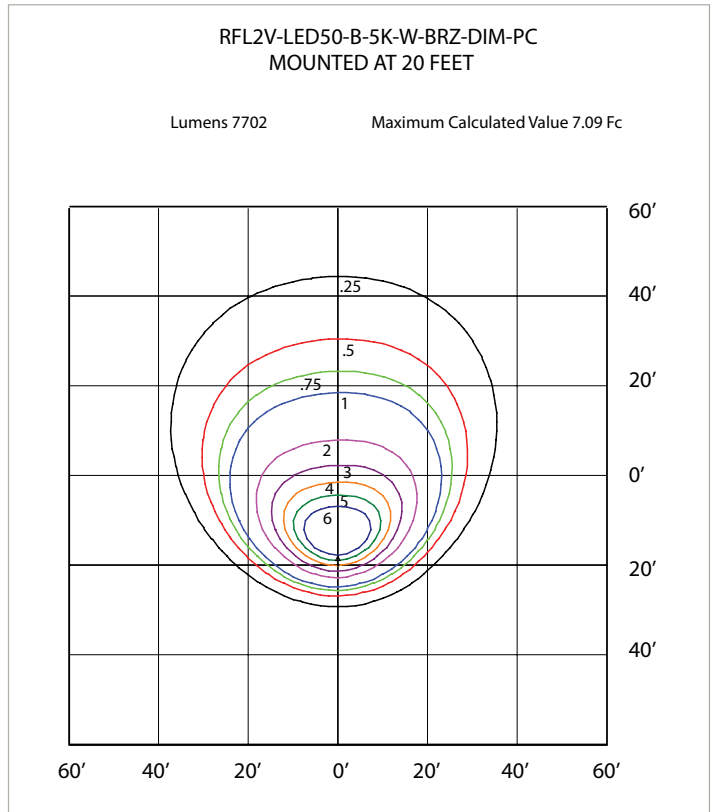
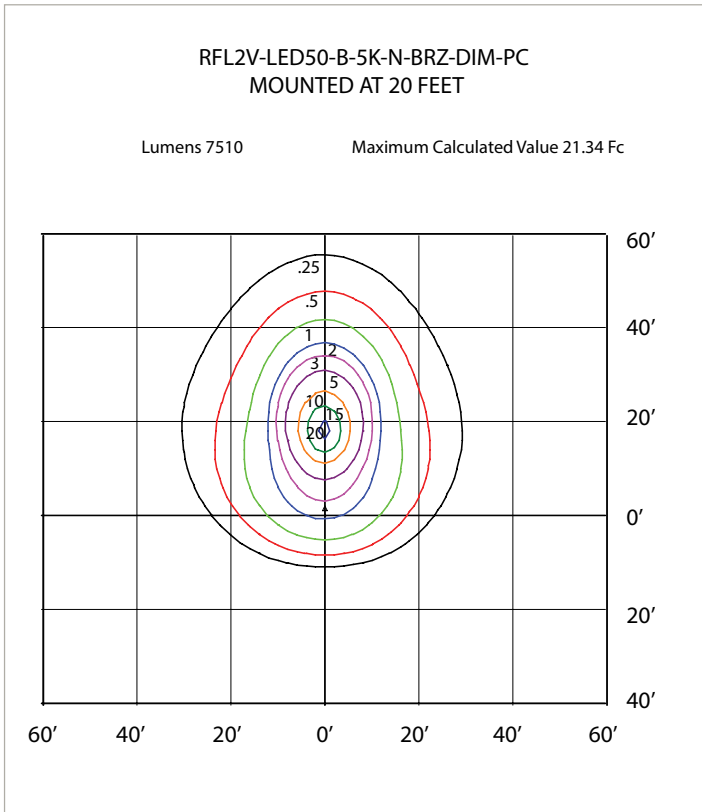
Life hours are derived from IESNA LM-80 testing report and projected per IESNA TM-21 calculations.

EPA (ft²)

	0° Tilt	45° Tilt	90° Tilt
RFL2V-LED50	0.321	0.500	0.557

WEIGHTS (lbs)

RFL2V-LED50	5.32
-------------	------



ORDERING GUIDE:

RFL2V		LED50				DIM		PC
Fixture	Wattage	Voltage	Color Temp.	Optics	Finish	Dimming	Controls	Surge Protection
	LED50	B - 120-277V*	3K - 3000K	N - 4x4	BRZ - Bronze*	DIM - 0-10V Dimming	PC - Photocell**	Blank
		L - 480V	4K - 4000K	W - 6x6*	CC - Custom Color			10kV - Surge Protection
			5K - 5000K*					

* Standard Configuration

** Only available with 120-277V

Note: Fixture comes with photocontrol covered with cap. Remove cap to activate photocell.

Ordering Guide For Accessories

Check the items that you wish to order:

- 052573 RFL1V/RFL2V/RFL3V KNUCKLE MOUNT BRZ
- 052574 RFL1V/RFL2V/RFL3V YOKE MOUNT BRZ
- 052578 RFL2V WIRE GUARD
- 052582 RFL2V VISOR BRZ