



RFL1V-LED20

Performance Light LED



Yoke



Knuckle

(Mounting Sold Separately)

IDEAL APPLICATIONS

- Facades
- Monuments
- Flood Lighting
- Sign Lighting

DESCRIPTION:

Ruggedly designed, high performance, versatile flood lights with a range of options for mounting (knuckle or yoke), beam distributions (NEMA 6X6 or NEMA 4X4), colour temperatures (5K or 4K or 3K), paint finish and more.

FEATURES:

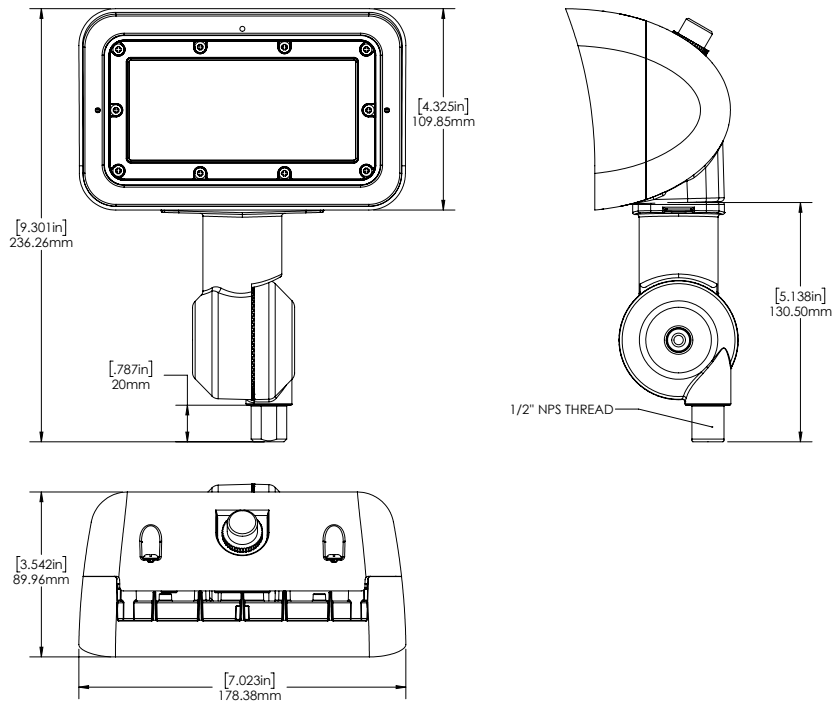
- Die cast aluminum with powder coat paint finish and clear polycarbonate lens.
- Bronze finish is standard. Custom paint options available.
- Available in two beam distributions. Wide beam (NEMA 6X6) for general flood for applications requiring a large and uniform light pattern or Narrow beam (NEMA 4X4) for accenting monuments and facades.
- Knuckle Mount (1/2" NPS) or Yoke Mount Options available.
- Mounting option of choice to be purchased separately and can be custom painted.
- Wire Guard and Visor accessories are optional.
- Photocell included as a standard option, can be deactivated by covering with the cap provided.

SPECIFICATIONS	RFL1V-LED20
Watts	20.43 W
Lumens	2957 lm
Efficacy	144.7 lm/W
Voltage	120-277V
CCT	3000K/4000K/5000K*
CRI	72
Dimming	0-10V Dim to Off
THD	15.14%
PF	0.98
Beam Distribution	Wide (NEMA 6x6)*, Narrow (NEMA 4x4)
LED Life (L80)	>72000 hours
Housing Finish	Bronze*, Custom Colors
Housing Details	Die Cast Aluminum
Lens Details	Clear Polycarbonate Lens
Operating Temp.	-40°C to +40°C (-40°F to 104°F)
Cable Length	1m Cab Tire Cable (STW 5x18 AWG)
Mounting	Yoke, Knuckle
Options Sold Separately	Yoke, Knuckle, Wire Guard, Visor
Certifications Logos	UL, Wet Locations, IP65, DLC Premium

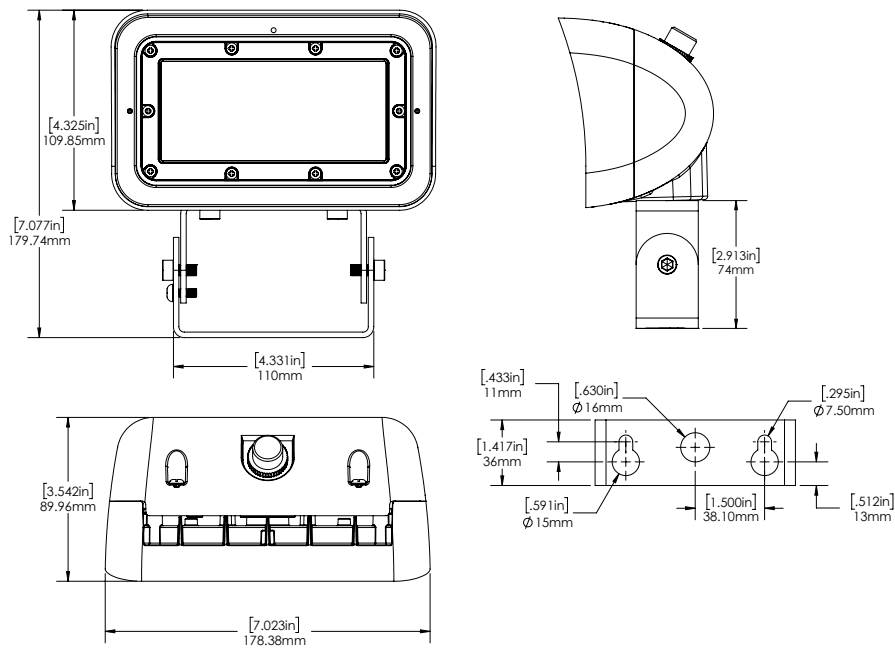
Note: Specs shown are for 120-277V/5000K
*Standard Configuration



DIMENSIONS:

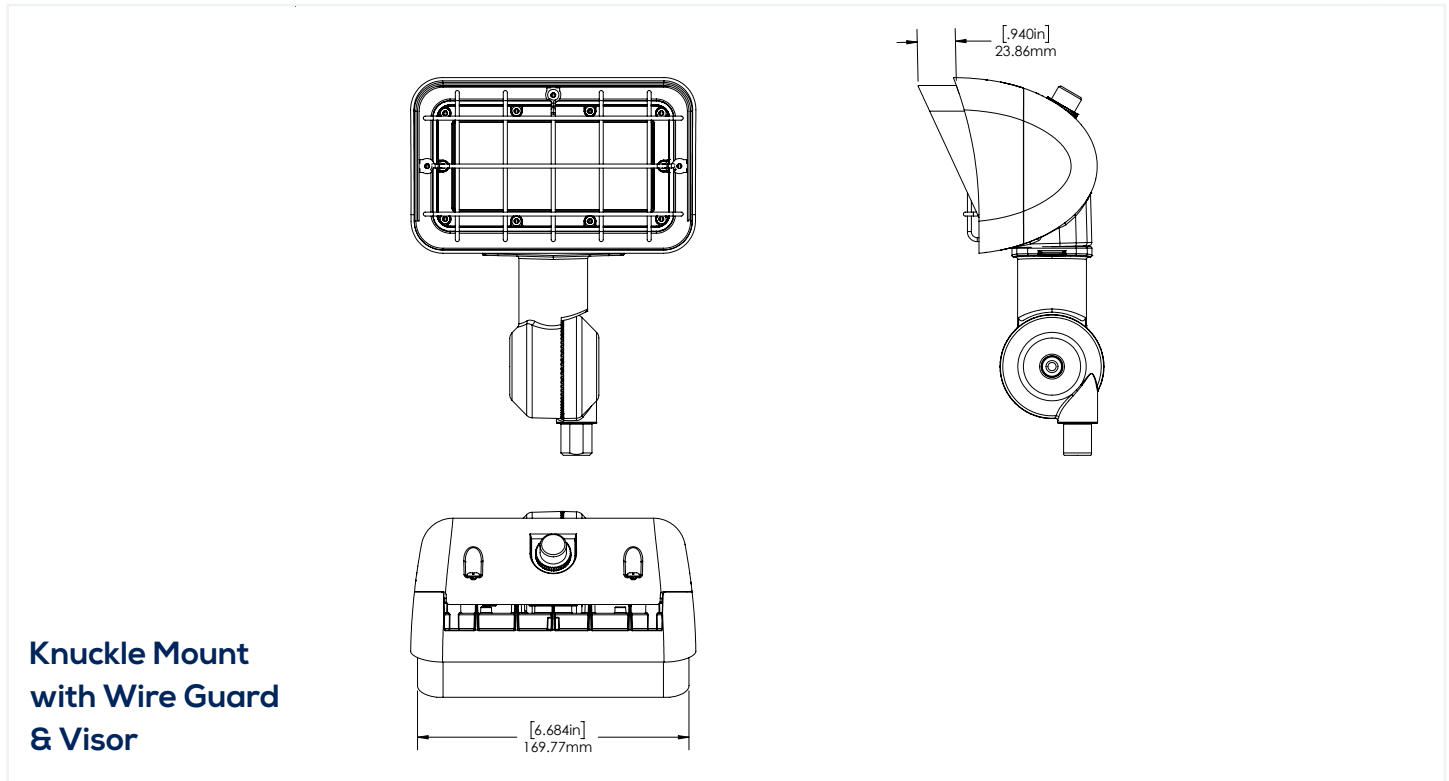


Knuckle Mount

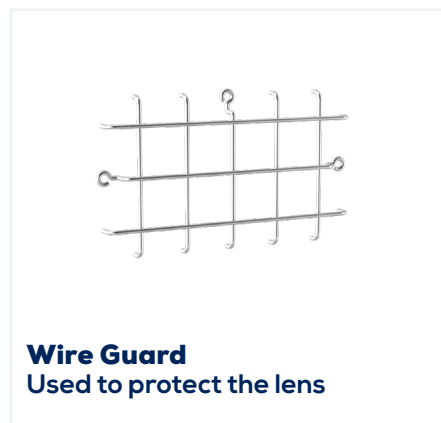


Yoke Mount

DIMENSIONS:



ACCESSORIES:



Note: Hardware for installation included in package
Visor and wire guard can be used together

AMPERAGE DRAW & SURGE PROTECTION

	CURRENT (A)				INTERNAL SURGE PROTECTION (kV)
	120V	208V	240V	277V	120-277V
RFL1V-LED20	0.18A	0.11A	0.09A	0.08A	4kV

TM-21 ESTIMATED LUMEN MAINTENANCE

	50,000 Hours	75,000 Hours	100,000 Hours
RFL1V-LED20	87.2%	81.2%	75.6%

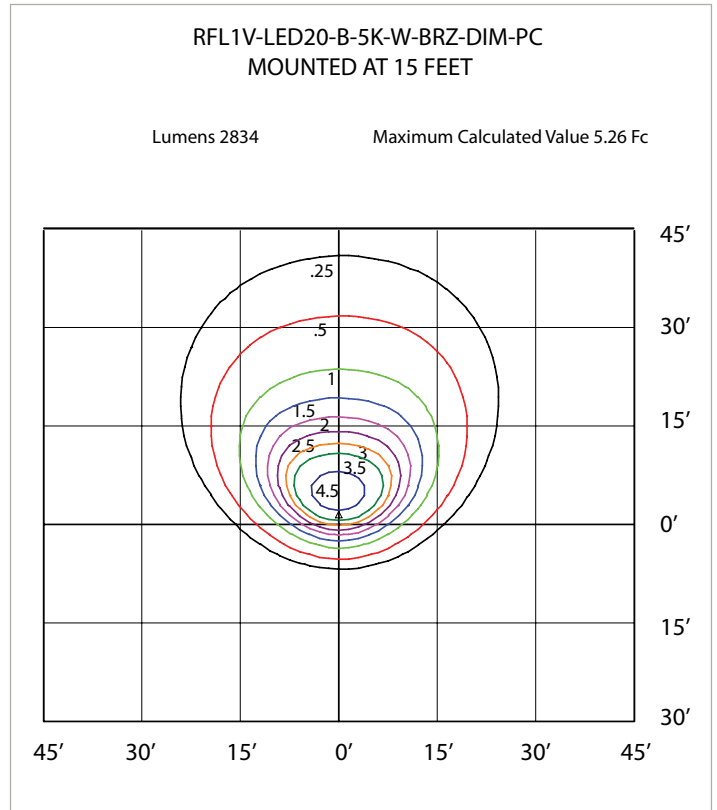
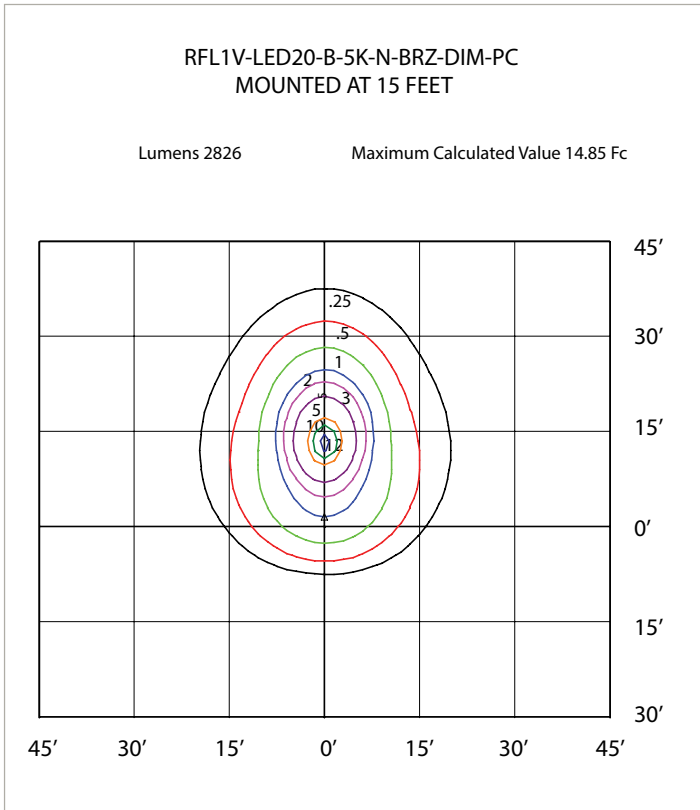
Life hours are derived from IESNA LM-80 testing report and projected per IESNA TM-21 calculations.

EPA (ft²)

	0° Tilt	45° Tilt	90° Tilt
RFL1V-LED20	0.224	0.303	0.34

WEIGHTS (lbs)

RFL1V-LED20	3.12
-------------	------



ORDERING GUIDE:

Fixture	Wattage	Voltage	Color Temp.	Optics	Finish	Dimming	Controls
RFL1V	LED20	B - 120-277V	3K - 3000K 4K - 4000K 5K - 5000K*	N - 4x4 W - 6x6*	BRZ - Bronze* CC - Custom Color	DIM - 0-10V Dimming	PC - Photocell

* Standard Configuration

Note: Fixture comes with photocontrol covered with cap.
Remove cap to activate photocell.

Ordering Guide For Accessories

Check the items that you wish to order:

- 052573 RFL1V/RFL2V/RFL3V KNUCKLE MOUNT BRZ
- 052574 RFL1V/RFL2V/RFL3V YOKE MOUNT BRZ
- 052577 RFL1V WIRE GUARD
- 052581 RFL1V VISOR BRZ