

INSTALLATION INSTRUCTIONS



ELECTRICAL SHOCK HAZARD

READ, UNDERSTAND, and FOLLOW these instructions before installing the equipment.

WARNING

Disconnect the Electrical supply power at the service panel (fuse or circuit breaker box). Failure to do so could result in serious injury or death. Only qualified electricians should install this fixture and the installation MUST conform to the Canadian Electrical Code Part I and all local codes and ordinances. Ensure that only proper tools, materials, and equipment are used to complete the installation.

SAFETY

- Proper grounding is required to ensure personal safety.
- Fixture should be mounted in locations where unauthorized personnel will not readily subject it to tampering.
- Do not use this equipment for anything other than its intended purpose.
- Servicing this equipment should be performed by qualified service personnel.
- Save these instructions.
- **MIN 90 °C SUPPLY CONDUCTOR**

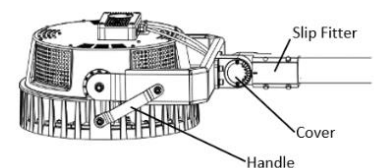
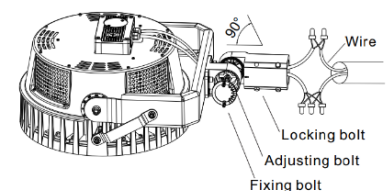
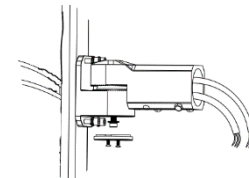
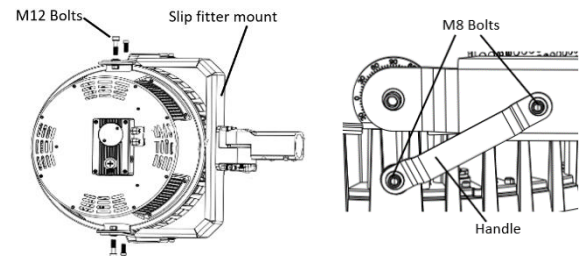
TOOLS

- Allen key set, open-end wrench, phillip screwdriver, Drilling tool (optional).

INSTALLATION

Slip Fitter:

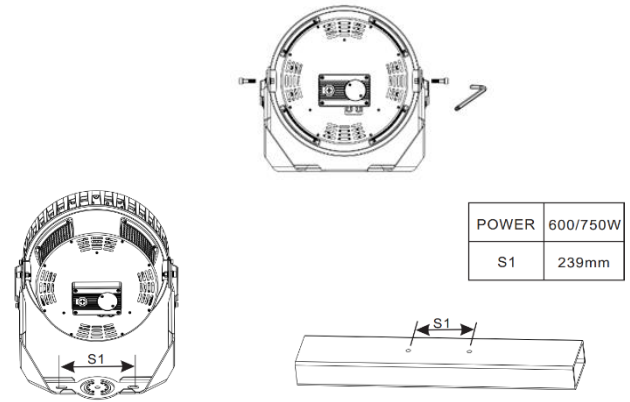
1. Attach the slip fitter mount to the fixture using two M12 bolts provided.
2. Attach both handles on either side to the fixture and slip fitter using two M8 bolts provided.
3. Remove the fixing bolts and cover from the slip fitter.
4. Run the supply and dimming wires through the slip fitter from top to bottom.
5. Loosen the four locking bolts on the slip fitter, connect the wires to the supply wires as per the wiring diagram, and then attach the fixture on top of the pole.
6. Fasten the locking bolts between slip fitter mount and the pole to secure the fixture.
7. Loosen the adjusting bolts and tilt the fixture to required angle. Fasten the adjusting bolts after the angle is confirmed, and reattach the cover using fixing bolts.
Note: Adjustable angle is 0-90°.



INSTALLATION INSTRUCTIONS

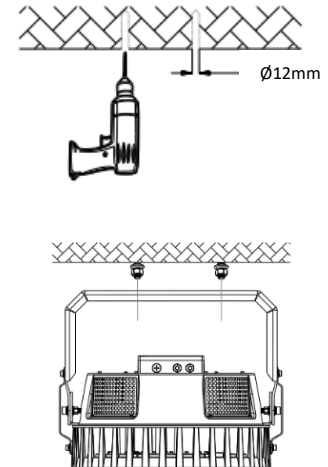
Standard Yoke Mount:

1. Attach the yoke mount to the fixture with two M12 bolts provided.
2. Attach both handles on either side to the fixture and yoke mount using two M8 bolts provided.
3. Drill the holes if required on the mounting surface and install the fixture with necessary hardware.
Note: Hardware not included in package.
4. Once secured, loosen the adjustment screw to adjust the angle, and connect the wires according to the wiring diagram.



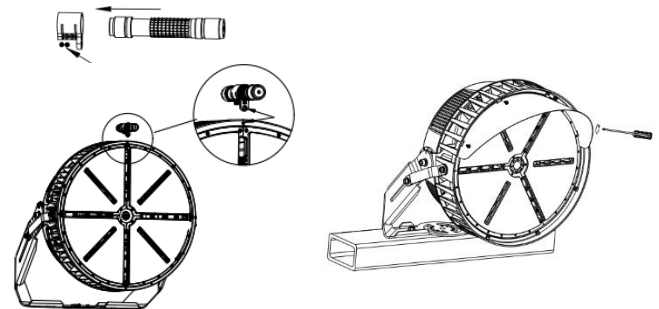
High-bay Yoke Mount:

1. Attach the high-bay yoke mount to the fixture with two M12 bolts provided.
2. Attach both handles on either side to the fixture and yoke mount using two M8 bolts provided.
3. Drill the holes if required on the mounting surface, and install the fixture with necessary hardware.
Note: Hardware not included in package.
4. Once secured, loosen the adjustment screw to adjust the angle, and connect the wires according to the wiring diagram.



ACCESSORIES

- **Laser Pointer:** Attach the bracket to the laser pointer using two screws provided. Then mount the bracket to the fixture using the third screw provided.
- **Light Shield:** Attach the visor to the luminaire with screws provided.



WIRING

- Check that the line voltage is correct.
- Connect fixture **GROUND** (green) wire to power supply **GROUND** (green) wire.
- Connect fixture **WHITE** wire to power supply **NEUTRAL** wire.
- Connect fixture **BLACK** wire to power supply **LINE** wire
- The fixture includes 0-10V dimming functionality, connect **PINK** and **PURPLE** wires to a 0-10V dimming controller (optional).

