



SFL2-LED600

Sports Flood and Highbay Luminaire



Slip Fit



Yoke



Highbay Yoke



PURCHASE MOUNT SEPARATELY

IDEAL APPLICATIONS

- Stadiums and Arenas
- Construction Sites
- Hangars
- Large Distribution Centers
- Rail, Work and Shipping Yards
- Bridges, Monuments and Facades

DESCRIPTION:

The SFL-LED fixture is a versatile, high performance sports flood light designed for recreational and collegiate outdoor fields. It can also be used as a highbay for high ceiling applications such as air plane hangers and large warehouses and distribution centers.

FEATURES:

Construction

- Ruggedly designed with die cast aluminum housing and clear polycarbonate lens.
- Intelligently designed heat sink to facilitate maximum air flow.
- Fixture is lightweight compared to most sports floods and has angle increments calibrated on the housing, standard yoke mount, and slip fit mount for precise aiming.

Electrical

- Standard unit comes with 120-277V or 480V driver with 6KV internal surge suppressor and 10KV external surge suppressor.

Light Performance

- Standard unit comes with a dedicated CCT of 4000K or 5000K.
- Fixture is available in 30°, 40°, 60° beam distributions for Sports flood applications. Available with 60° beam for highbay applications.

Mounting

- 3 mounting options available - Yoke, slip fit and highbay yoke. Purchase mounting option separately. Mounting option is field installed.

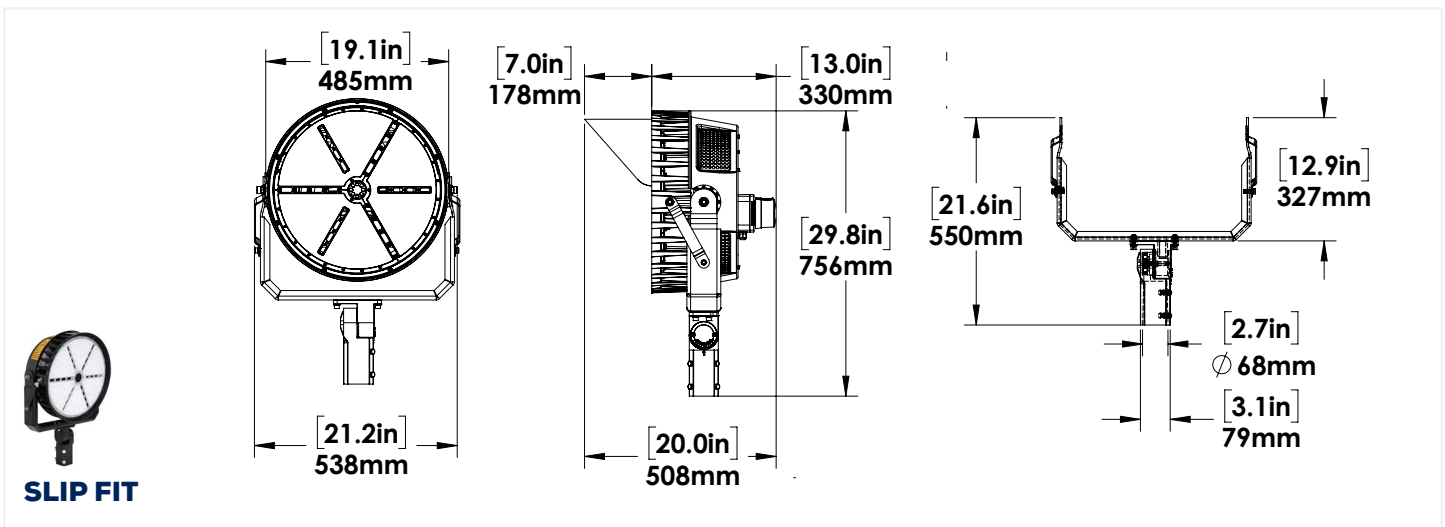
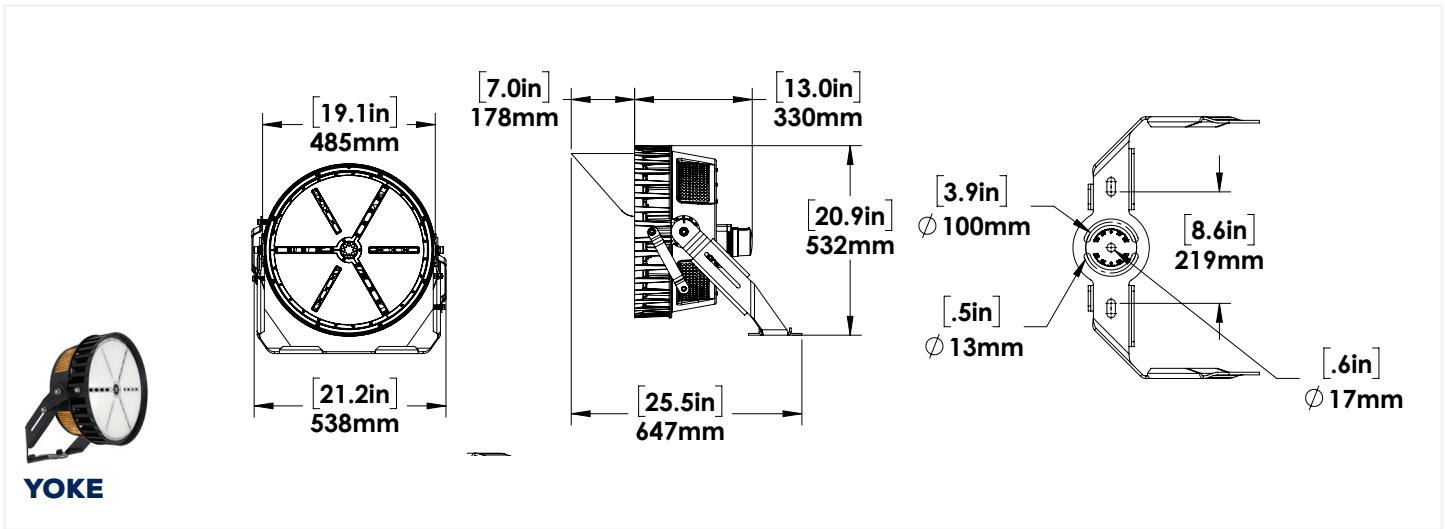
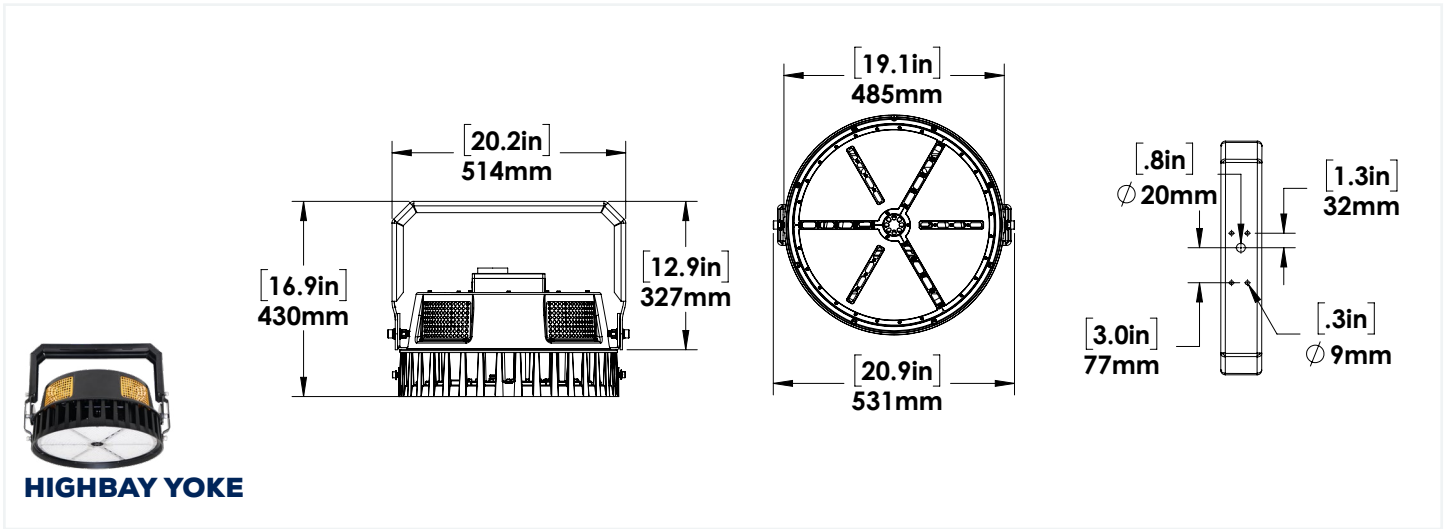
SPECIFICATIONS

SFL2-LED600

Watts	603.4W
Lumens	92558 Lm
Efficacy	153.4 Lm/W
Voltage	120-227V, 480V
Color Temp	4000K, 5000K
Replaces	1000W MH
CRI	70
Dimming	0-10V Dim to Off
Surge Protection	6 KV Internal (with driver), 10 KV External (added to every fixture)
THD	15%
PF	0.9
Beam Distribution	20°, 30°, 40°, 60°
LED Life (L76)	100,000 Hours
Housing Finish	Matte Black, Custom Colors (optional)
Housing Details	Aluminum
Lens Details	Clear Polycarbonate Lens
Mounting	Yoke Mount, Slip Fit, Highbay Yoke Mount
Operating Temp.	-40°C to +45°C
Input Power/ Dimming Cord Length	1 meter cable
Factory Installed Options	7 PIN Receptacle with Shorting Cap ANSI C136. 41-2013 compliant, Photocell
Options Sold Separately	Standard Yoke Mount, Slip Fit, Highbay Yoke Mount, Visor, Laser Pointer (comes with one rechargeable battery and battery charger)
Certifications	UL, Wet Location, IP66 3G Vibration Tested & DLC 5.1 Premium



DIMENSIONS:





VISOR
used to reduce glare

Note:
Screws included in package.



LASER POINTER
used to accurately aim the
fixture to the desired location

Range of the laser pointer: 200 meters.
It is operated by rechargeable battery.

Note:
Laser pointer package includes one DC
(rechargeable) battery and battery recharger.

AMPERAGE DRAW & SURGE PROTECTION							
	CURRENT (A)					SURGE PROTECTION	
	120V	208V	240V	277V	480V	120-277V	480V
SFL2-LED	5.25A	3.03A	2.63A	2.28A	1.32A	6kV internal and 10kV external	

TM-21 ESTIMATED LUMEN MAINTENANCE			
	50,000 Hours*	75,000 Hours	100,000 Hours
SFL2-LED	87.5%	81.7%	76.2%

EPA(ft ²)		
	0° Tilt	90° Tilt
SFL2-LED With Yoke	1.72	2.74
SFL2-LED With Slipfit	1.74	2.77

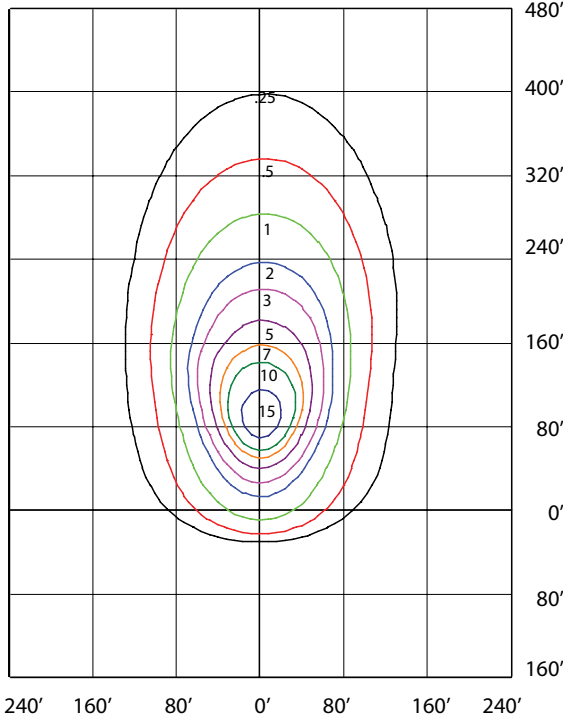
WEIGHT (lbs)	
SFL2-LED With Yoke	62.83
SFL2-LED With Slipfit	67.90
SFL2-LED With Highbay Yoke	62.83

*Expect LED chips to have 87.5% lumen maintenance

SPECIFICATIONS							
Model Number	Voltage (V)	Power (W)	Light Output (lm)	Efficacy (lm/W)	THD (%)	PF	CCT (K)
SFL2-LED600-B-4K-20DEG-XXX-DIM-[Blank;7PIN;PC]-SP10	120-277	602	91061	151.3	15.0	0.900	4000
SFL2-LED600-B-5K-20DEG-XXX-DIM-[Blank;7PIN;PC]-SP10	120-277	603	91994	152.7	15.0	0.900	5000
SFL2-LED600-B-4K-30DEG-XXX-DIM-[Blank;7PIN;PC]-SP10	120-277	600	91498	152.6	15.0	0.900	4000
SFL2-LED600-B-5K-30DEG-XXX-DIM-[Blank;7PIN;PC]-SP10	120-277	601	92533	153.9	15.0	0.900	5000
SFL2-LED600-B-4K-40DEG-XXX-DIM-[Blank;7PIN;PC]-SP10	120-277	600	90968	151.5	15.0	0.900	4000
SFL2-LED600-B-5K-40DEG-XXX-DIM-[Blank;7PIN;PC]-SP10	120-277	601	91915	152.9	15.0	0.900	5000
SFL2-LED600-B-4K-60DEG-XXX-DIM-[Blank;7PIN;PC]-SP10	120-277	600	90259	150.4	15.0	0.900	4000
SFL2-LED600-B-5K-60DEG-XXX-DIM-[Blank;7PIN;PC]-SP10	120-277	601	91246	151.8	15.0	0.900	5000

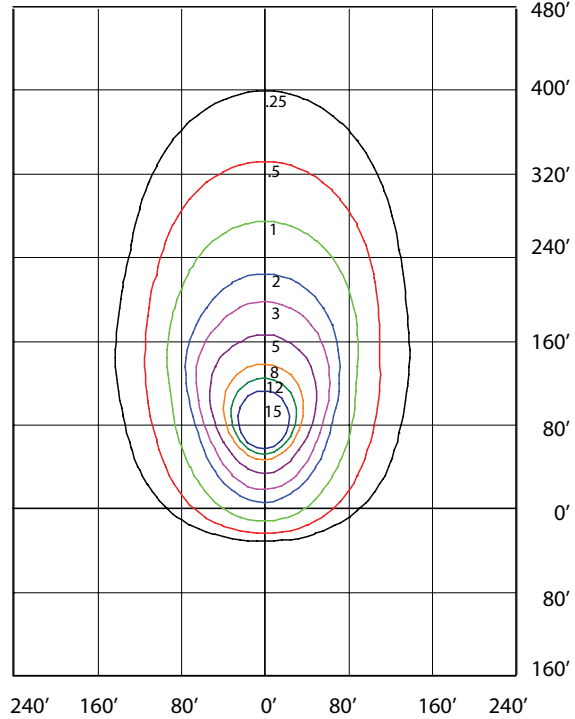
SFL2-LED600-B-4K-30DEG-BLK-DIM
MOUNTED AT 50 FEET 60 DEGREE TILT

Lumens 95363 Maximum Calculated Value 18.86 Fc



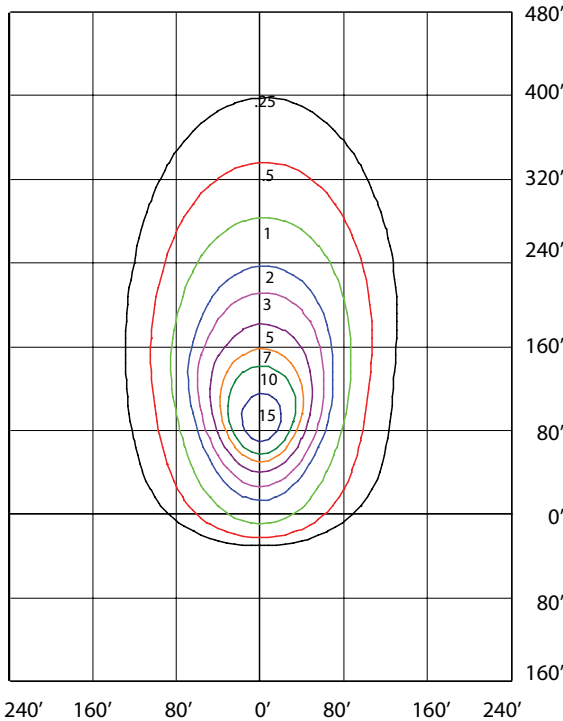
SFL2-LED600-B-4K-40DEG-BLK-DIM
MOUNTED AT 50 FEET 60 DEGREE TILT

Lumens 96519 Maximum Calculated Value 16.53 Fc



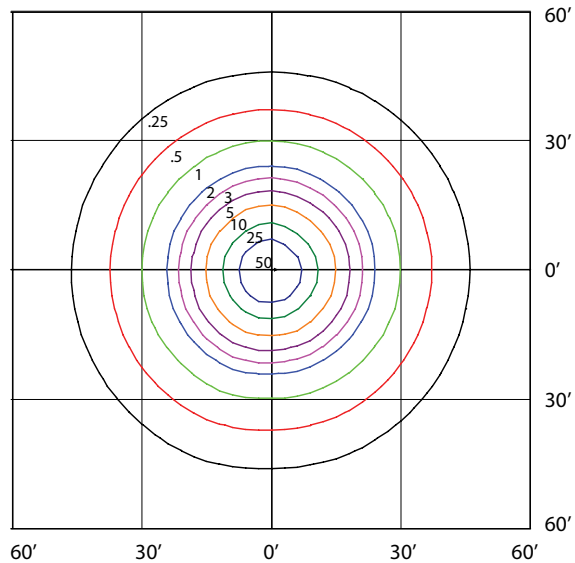
SFL2-LED600-B-4K-60DEG-BLK-DIM
MOUNTED AT 50 FEET 50 DEGREE TILT

Lumens 93314 Maximum Calculated Value 17.11 Fc



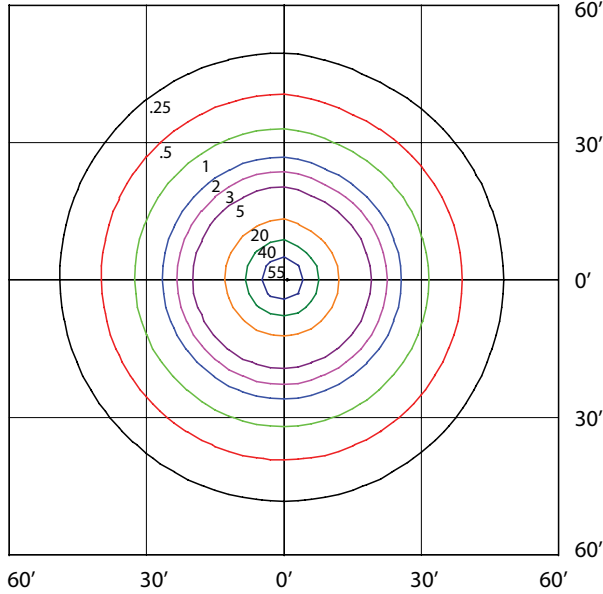
SFL2-LED600-B-4K-30DEG-BLK-DIM
MOUNTED AT 50 FEET

Lumens 95363 Maximum Calculated Value 84.04 Fc



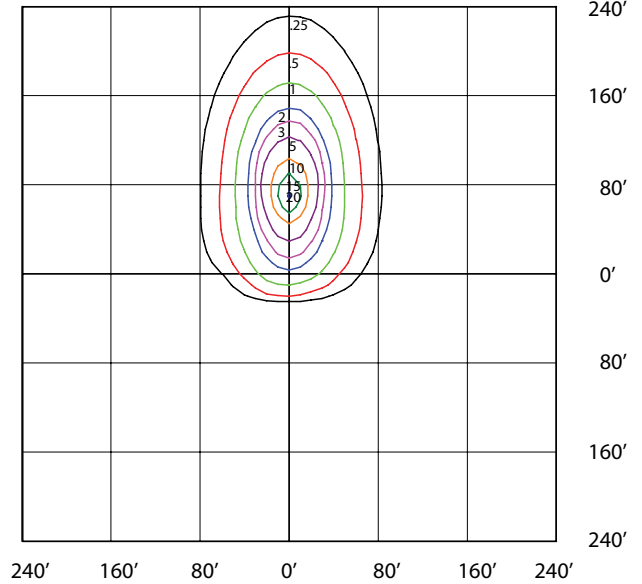
SFL2-LED600-B-4K-40DEG-BLK-DIM
MOUNTED AT 50 FEET

Lumens 96519 Maximum Calculated Value 63.68 Fc



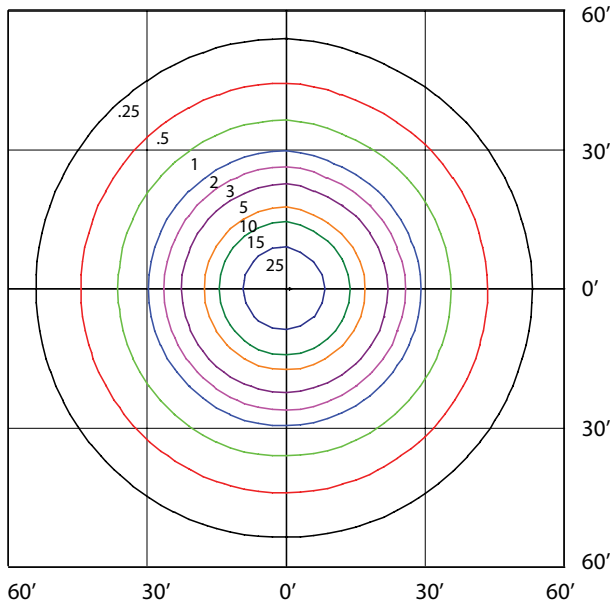
SFL2-LED600-B-4K-20DEG-DIM-SP10
4000K
MOUNTED AT 50 FEET 60 DEGREE TILT

LUMENS 90188 MAX CALCULATED VALUE 20.74 Fc



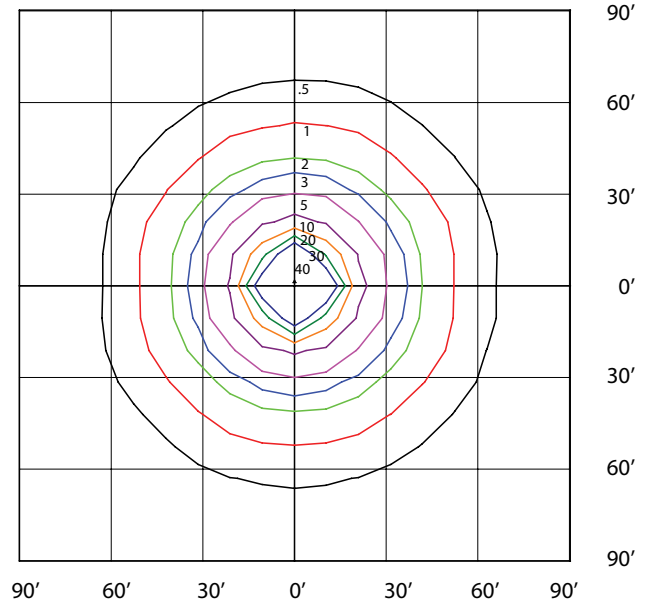
SFL2-LED600-B-4K-60DEG-BLK-DIM
MOUNTED AT 50 FEET

Lumens 93314 Maximum Calculated Value 34.02 Fc



SFL2-LED600-H-4K-20DEG-DIM-SP10
4000K
MOUNTED AT 50 FEET

LUMENS 90188 MAX CALCULATED VALUE 131.36 Fc



ORDERING GUIDE:

SFL2	LED600					DIM			SP10
Fixture	Wattage	Voltage	Color Temp.	Optics	Finish	Dimming	Options	Surge Protection	
	LED600	B - 120-277V	4K - 4000K	20DEG - 20 Degrees	BLK - Matte Black*	DIM - 0-10V Dimming	BLANK	SP10 - 10kV Surge Protection	
		L - 480V	5K - 5000K*	30DEG - 30 Degrees	CC - Custom Colors		7PIN - 7 PIN Receptacle for Smart Controls		
				40DEG - 40 Degrees					
				60DEG - 60 Degrees			PC - Photocell**		
				(For highbay applications, 60DEG optics is recommended)					

* Standard Configuration

**Note: When ordering photocell, fill "B" in the voltage field if input voltage is 120-277V or "L" when input voltage is 480V

STOCK CODE	DESCRIPTION
052965	SFL2-LED600-B-4K-20DEG-BLK-DIM-SP10
052966	SFL2-LED600-B-5K-20DEG-BLK-DIM-SP10
052555	SFL2-LED600-B-4K-30DEG-BLK-DIM-SP10
052556	SFL2-LED600-B-5K-30DEG-BLK-DIM-SP10
052557	SFL2-LED600-B-4K-40DEG-BLK-DIM-SP10
052558	SFL2-LED600-B-5K-40DEG-BLK-DIM-SP10
052560	SFL2-LED600-B-4K-60DEG-BLK-DIM-SP10
052561	SFL2-LED600-B-5K-60DEG-BLK-DIM-SP10

ORDERING GUIDE FOR ACCESSORIES

Options Sold Separately

Check the items that you wish to order:

- 052598 - SFL1/SFL2 LASER POINTER
- 052603 - SPORT FLOOD LIGHT YOKE BLK
- 052604 - SFL2 VISOR BLK
- 052605 - SFL2 SLIP FIT BLK
- 052606 - SFL2 HIGHBAY YOKE