

## INSTALLATION INSTRUCTIONS



**ELECTRICAL SHOCK HAZARD**

**READ, UNDERSTAND, and FOLLOW** these instructions before installing the equipment.

### WARNING

Disconnect the Electrical supply power at the service panel (fuse or circuit breaker box). Failure to do so could result in serious injury or death. Only qualified electricians should install this fixture and the installation MUST conform to the Canadian Electrical Code Part I and all local codes and ordinances. Ensure that only proper tools, materials, and equipment are used to complete the installation.

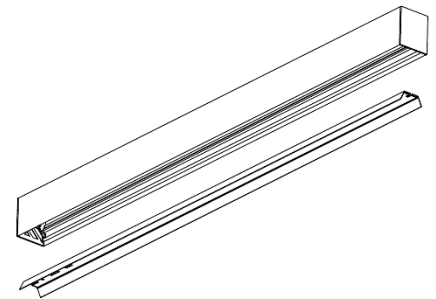
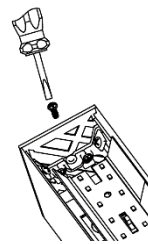
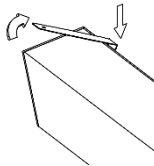
### SAFETY

- Proper grounding is required to ensure personal safety.
- Fixture should be mounted in locations where unauthorized personnel will not readily subject it to tampering.
- Do not use this equipment for anything other than its intended purpose.
- Servicing this equipment should be performed by qualified service personnel.
- Save these instructions.
- This equipment has been tested and found to comply with the limits for a Class B digital device, pursuant to part 15 of the FCC Rules. These limits are designed to provide reasonable protection against harmful interference in a residential installation. This equipment generates, uses and can radiate radio frequency energy and, if not installed and used in accordance with the instructions, may cause harmful interference to radio communications.
- Changes or modifications to this unit not expressly approved by the party responsible for compliance could void the user authority to operate the equipment.
- **MIN 75 °C SUPPLY CONDUCTOR**

## INSTALLATION

### Removal of Lens & LED boards:

- Remove the lens using the included tool.

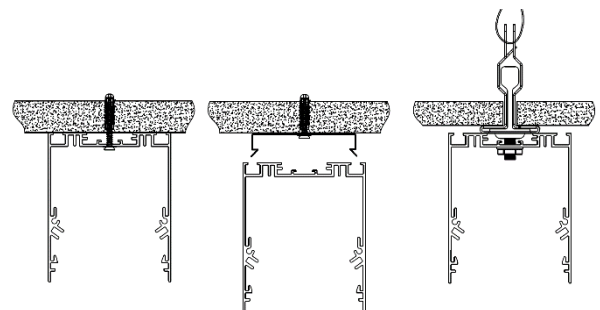


- Unscrew LED board screws and remove LED board.

- Disconnect the LED board terminal connector.

### Surface Mount:

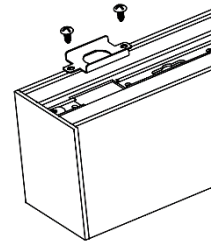
- Follow the first 3 general steps to remove the lens and LED board from the fixtures.



- The luminaire can be installed in 3 different methods on the surface of a ceiling.
  - Directly to the ceiling
  - Ceiling mount clips
  - Attached to a T-bar grid

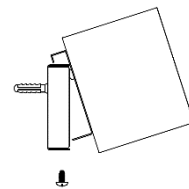
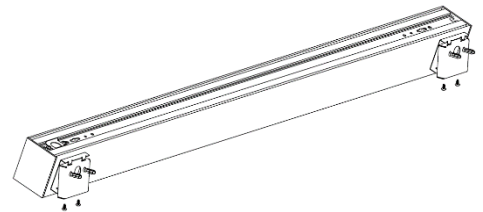
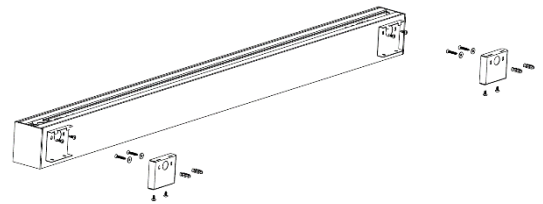
## INSTALLATION INSTRUCTIONS

- Choose the preferred installation method and secure housing to the ceiling.
- Fish power wires through the plate with knockout located on one side of the fixture.
- Make electrical connections as per the wiring diagram.
- Reinstall LED board & lens.



### Wall Mount:

- Follow the first 3 general steps to remove the lens and LED board from the fixture.
- Install wall bracket onto wall using the appropriate mounting hardware (not provided).
- Make electrical connections as per local and national electrical codes. Push wires into the junction box behind the bracket.
- Hook the luminaire bracket over the wall bracket.
- Once in place, tighten screws through the underside of the luminaire bracket into the threaded holes on the wall bracket.

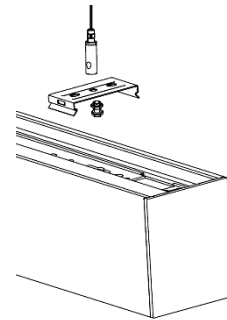
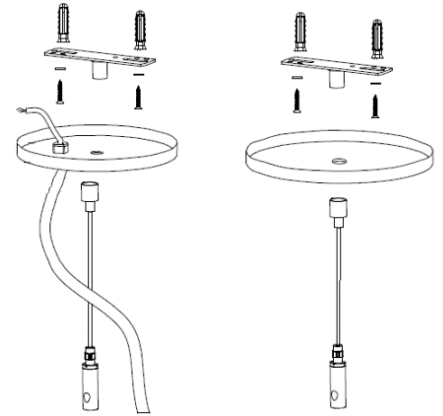


					A: Distance between the center of two wall boxes
					B: Distance from center of wall box to the edge of light housing
					C: Distance between two holes in the wall box
					D: Distance from center of wall box to bottom of the light housing.
	2ft	4ft	6ft	8ft	
A	19.88" 505mm	43.31" 1100mm	66.69" 1694mm	90.16" 2290mm	
B	2" 50.8mm				
C	1.57" 40mm				
D	1.57" 40mm				

**INSTALLATION INSTRUCTIONS**

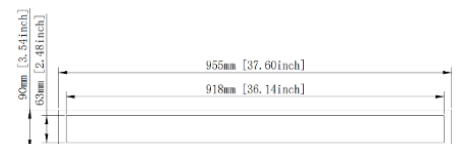
**Suspended Mount:**

- Follow the first 3 general steps to remove the lens and LED board from the fixture.
- Install ceiling brackets at desired locations.
- Install power wire through strain relief of cover plate.
- Slide aircraft cable couplings through the cover plates and secure couplings to the ceiling brackets.
- Secure bottom aircraft cable grippers to the steel clips.
- Pull aircraft cable through grippers to shorten the length or press on top of the cylinder on the gripper to elongate the length.
- Fish power wires through the plate with knockout located on one side of the fixture.
- Make electrical connections as per the wiring diagram.
- Reinstall LED board & lens.



**Flange Mount Kit:**

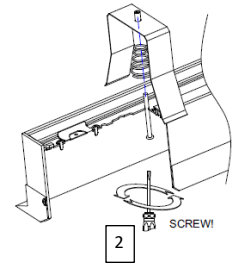
- Follow the first 3 general steps to remove the lens and LED board from the fixture.



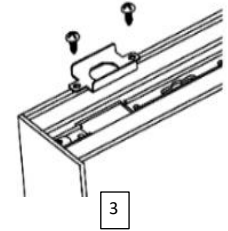
**INSTALLATION INSTRUCTIONS**

- Make an opening on the drywall as the dimensions shown in the template. [1]

- Install the Flange Spring Kit onto the fixture using the long screws provided. The screws must be installed through the housing. [2]

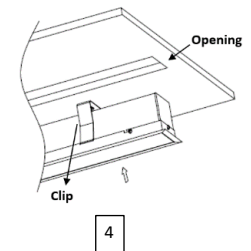


- Bring in power wires through the plate, with a knockout on the fixture's top corner. [3]

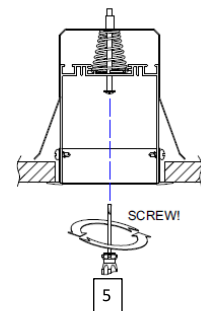


- Make electrical connections as per the wiring diagram.

- Push the fixture onto the ceiling opening. [4]



- Adjust the screws from the inside of the fixture, so the clips are opening up on top of the ceiling wall. [5]



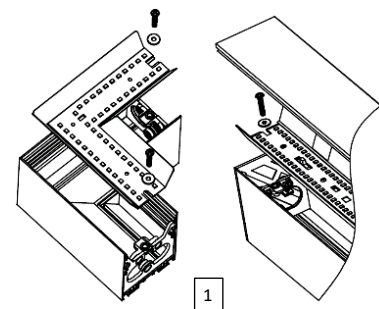
- Reconnect the LED board terminal connector.

- Reinstall LED board & lens.

**Connecting Multiple sections:**

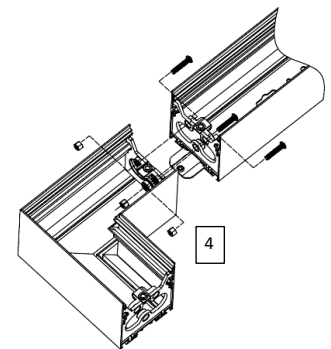
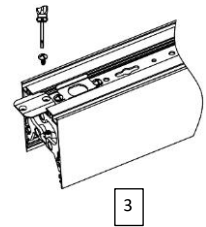
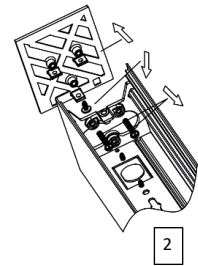
- Follow the first 3 general steps to remove the lens and LED board from the fixtures and corner connectors. [1]

- Remove fixture end caps from sides that will be connected together. [2]



## INSTALLATION INSTRUCTIONS

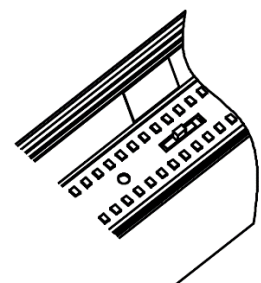
- Slide in the connection plate on the back slot of the fixture and secure it with 1 screw. [3]
- Attach the corner connector to the fixture or 2 fixtures together with 3 long screws and nuts. [4]
- Fix the other end of the connector plate with the self-tapping screw. [4]
- Attach the power of the corner connectors by connecting the blue, red, and black wires into the respective quick disconnects.
- Fish power wires through the plate with knockout located on one side of the fixture.
- Make electrical connections as per the wiring diagram.
- Reinstall LED board & lens.



## CCT SELECTABLE SWITCHES

- CCT selectable switch is included in every luminaire. It is accessed inside during installation. The switch can be set to 3000K, 4000K, and 5000K CCT.

**4000K is default.**



## WIRING

- Check that the line voltage is correct.
- Connect fixture **GROUND** (green) wire to power supply **GROUND** (green) wire.
- Connect fixture **WHITE** wire to power supply **NEUTRAL** wire.
- Connect fixture **BLACK** wire to power supply **LINE** wire
- The fixture includes 0-10V dimming functionality, connect **GREY** and **VIOLET** wires to a 0-10V dimming controller (optional).

