



BL1S-LED50A20

Barn/Area Light LED



IDEAL APPLICATIONS

- Security Lighting
- Industrial Yards
- Farming
- Roadway & Landscape Lighting
- Barns

DESCRIPTION:

The BL1S-LED fixture is a high efficacy general purpose area light ideal for Barns, Farms, Security lighting, Industrial yards, Roadways and landscape lighting.

FEATURES:

- Rugged die cast aluminum housing with a polycarbonate lens.
- Corrosion resistant powder coat paint finish.
- Fixture is wattage adjustable with maximum wattage of 50W. Other wattage settings offered are 40W, 30W, and 20W.
- Fixture delivers a maximum of 6,500 lumens at an efficacy of 136 lumens per watt.
- Operates at a temperature of -40°C to +40°C.
- ANSI 3-pin with lock photocontrol included for automatic off during daylight hours. Comes with every standard fixture, included in box.
- Photocell can be removed when not needed and replaced with a shorting cap (sold separately).
- Galvanized iron arm is sold as an option for Arm mount installation on wall and pole.
- Ideal for mounting heights of 8' - 15'.

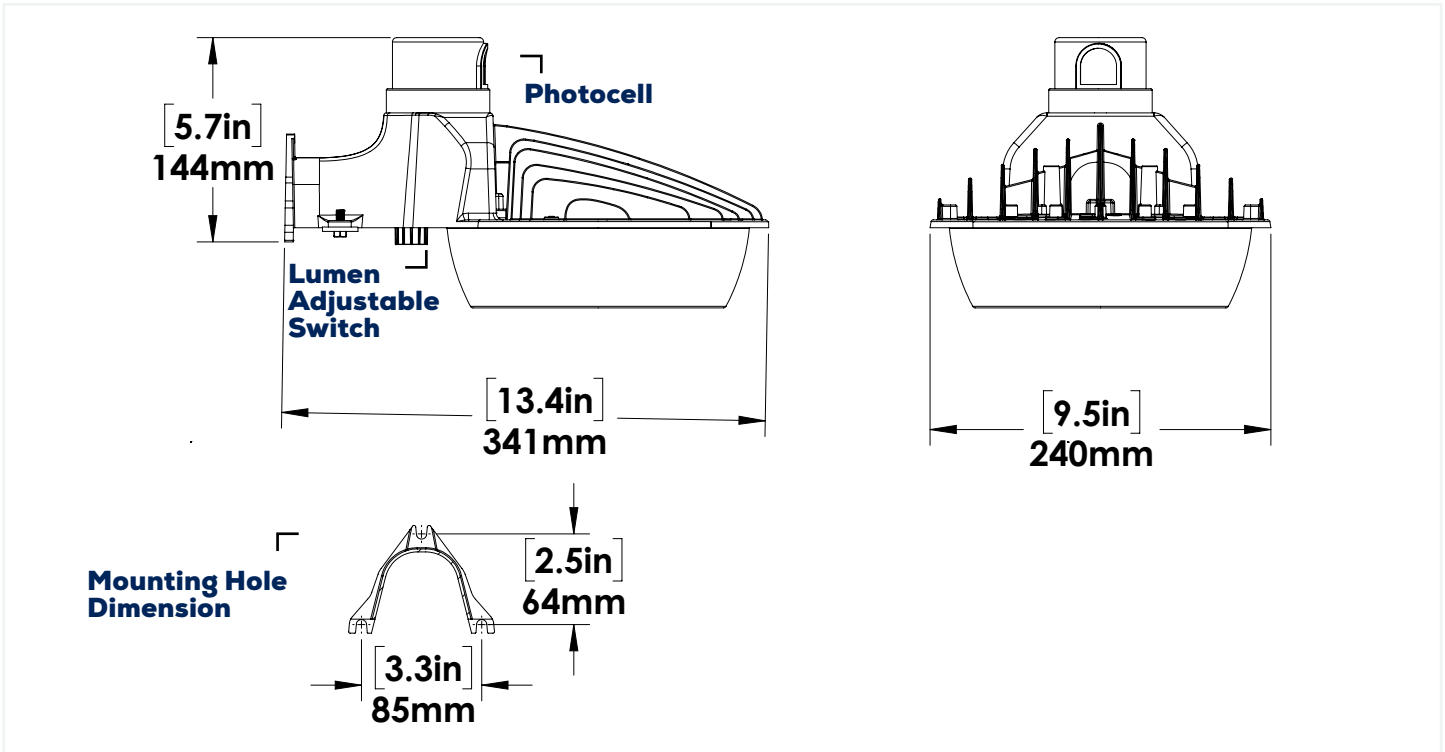
SPECIFICATIONS

BL1S-LED50A20

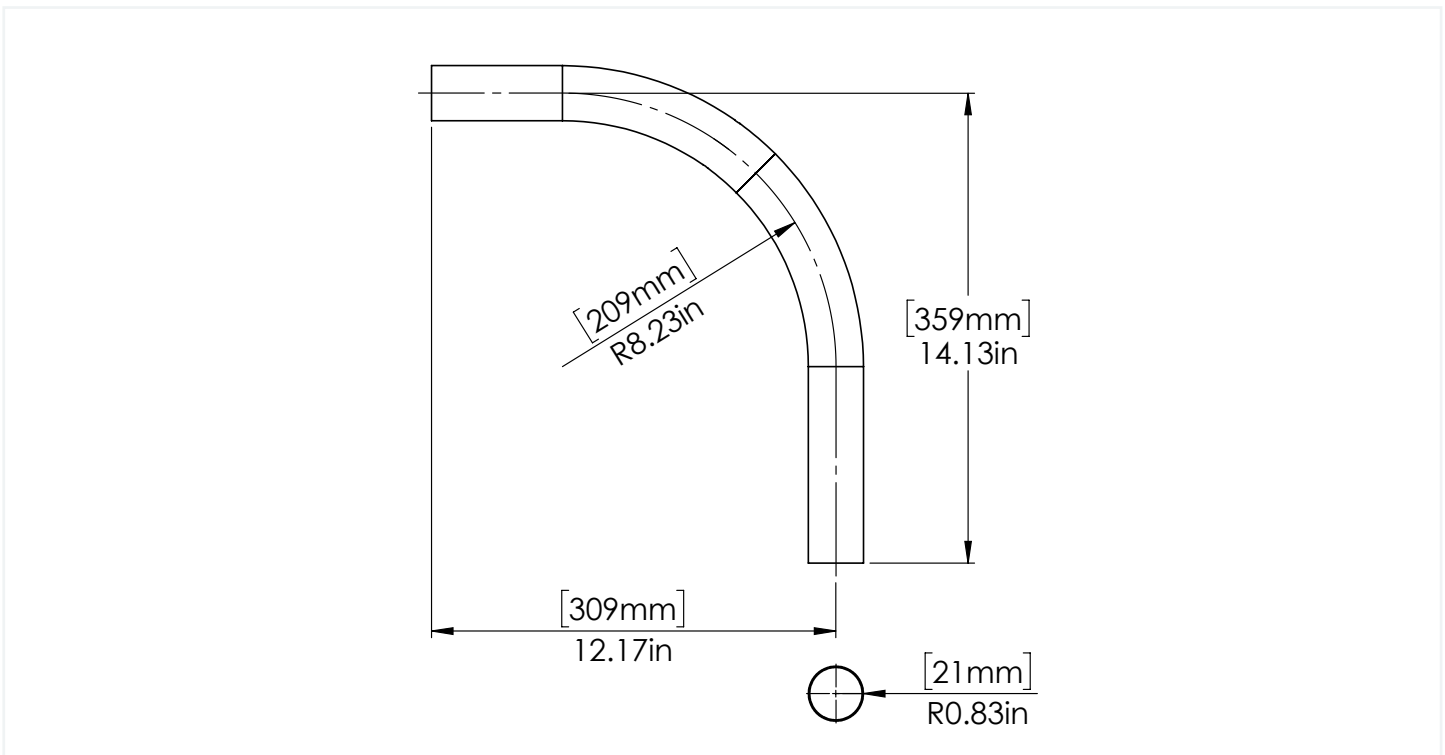
Maximum Watts (W)	48.8
Maximum Lumens (Lm)	6654
Efficacy (Lm/W)	136.4
Voltage	120-277V
Color Temp	5000K
CRI	72
Dimming	0-10V Dim to Off
THD	<15%
PF	0.9
Beam Distribution	100°
LED Life @ 50,000 Hours	88.6%
Housing Finish	Gray
Housing Details	Die Cast Aluminum
Lens Details	Polycarbonate Lens
Mounting	Wall Mount, Pole Mount
Power Supply Cord Length	1 M
Operating Temp.	-40°C to +40°C
Options Sold Separately	Galvanized Iron Arm
Certifications	UL, Wet Location, IP65, 5 Year Warranty, DLC Premium



DIMENSIONS:



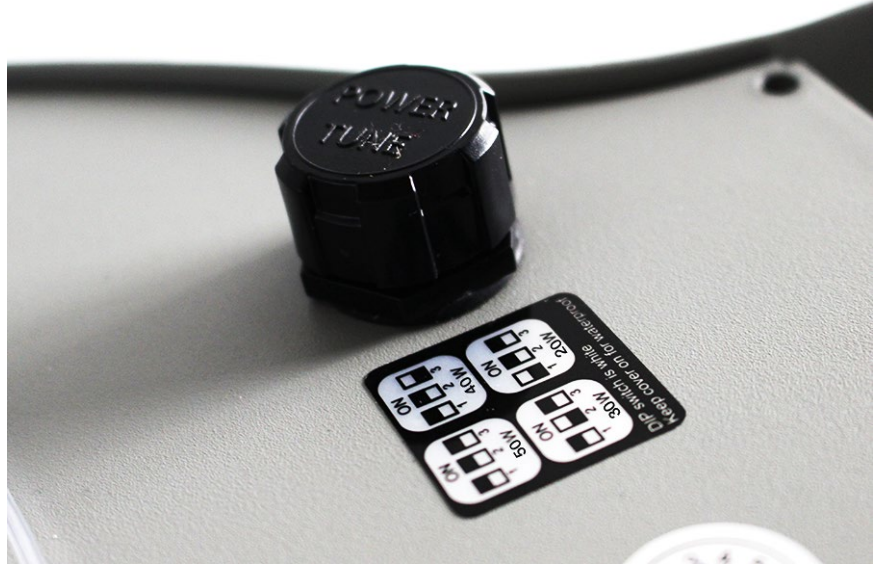
ARM DIMENSIONS:



LUMEN ADJUSTABLE SWITCH:

Lumens may be selected using adjustable switch installed on housing.

High output lumen adjustable fixture allows installer to select between 4 wattage settings: 20W/30W/40W/50W. Default setting of 50W.



AMPERAGE DRAW & SURGE PROTECTION					
	CURRENT (A)				SURGE PROTECTION
	120V	208V	240V	277V	120-277V
BL1S-LED	0.44A	0.26A	0.22A	0.19A	2kV

TM-21 ESTIMATED LUMEN MAINTENANCE				
	50,000 Hours		75,000 Hours	100,000 Hours
BL1S-LED	88.6%		83.2%	78.1%

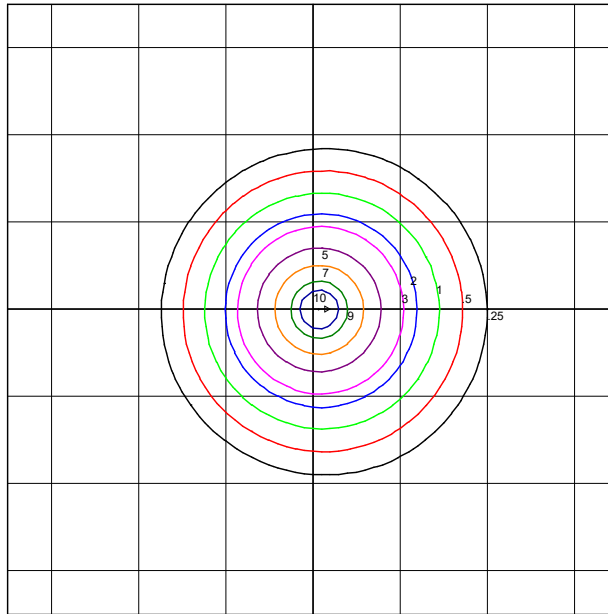
LUMEN ADJUSTABLE SETTINGS				
Watts (W)	20	30	40	49
Lumens (Lm)	2728	4093	5457	6654

WEIGHT (lbs)	
BL1S-LED	5.18

SPECIFICATIONS								
Model Number	Voltage (V)	Power (W)	Light Output (lm)	Efficacy (lm/W)	THD (%)	PF	CCT (K)	B-U-G
BL1S-LED50A20-B-5K-XXX-DIM-PC	120-277	49	6654	136.4	15.0	0.900	5000	2-0-2

BL1S-LED50A20-B-5K-GRY-DIM-PC
MOUNTED AT 15 FEET

Total Lumens = 6421 Mounting Height = 15 Ft Maximum Calculated Value = 10.9 Fc



ORDERING GUIDE:

BL1S	LED50A20	B	5K	GRY	DIM	PC
------	----------	---	----	-----	-----	----

Fixture	Wattage	Voltage	Color Temp.	Finish	Dimming	Controls
	LED50A20	B - 120-277V	5K - 5000K	GRY - Gray	DIM - 0-10V Dimming	PC - Photocell

STOCK CODE	DESCRIPTION
052562	BL1S-LED50A20-B-5K-GRY-DIM-PC

ACCESSORIES SOLD SEPARATELY

052564 - BL1S/2S ARM

051653 - SC-10 SHORTING CAP ALR