



XBAR2-LED

LED Area Light



IDEAL APPLICATIONS

- Parking Lots
- Area Lighting
- Commercial Plazas

DESCRIPTION:

The XBAR-LED Series is a slim, round post top area light with a dedicated color temperature of 4000K or 5000K.

FEATURES:

Construction

- Die cast aluminum housing with matte black finish and clear polycarbonate lens. Custom colour finish is also available.

Electrical

- Standard unit comes in 120-277V. All units have 10KV internal surge protection except 100W 120-277V, which has 4KV internal surge protection.
- Operates at a temperature of -40° to +45°C.

Light Performance

- Fixture has a dedicated CCT of 4000K or 5000K.

Controls

- Optional twist lock photocell.

Packaging

- Fixture has been designed to fold neatly to minimize packaging footprint.

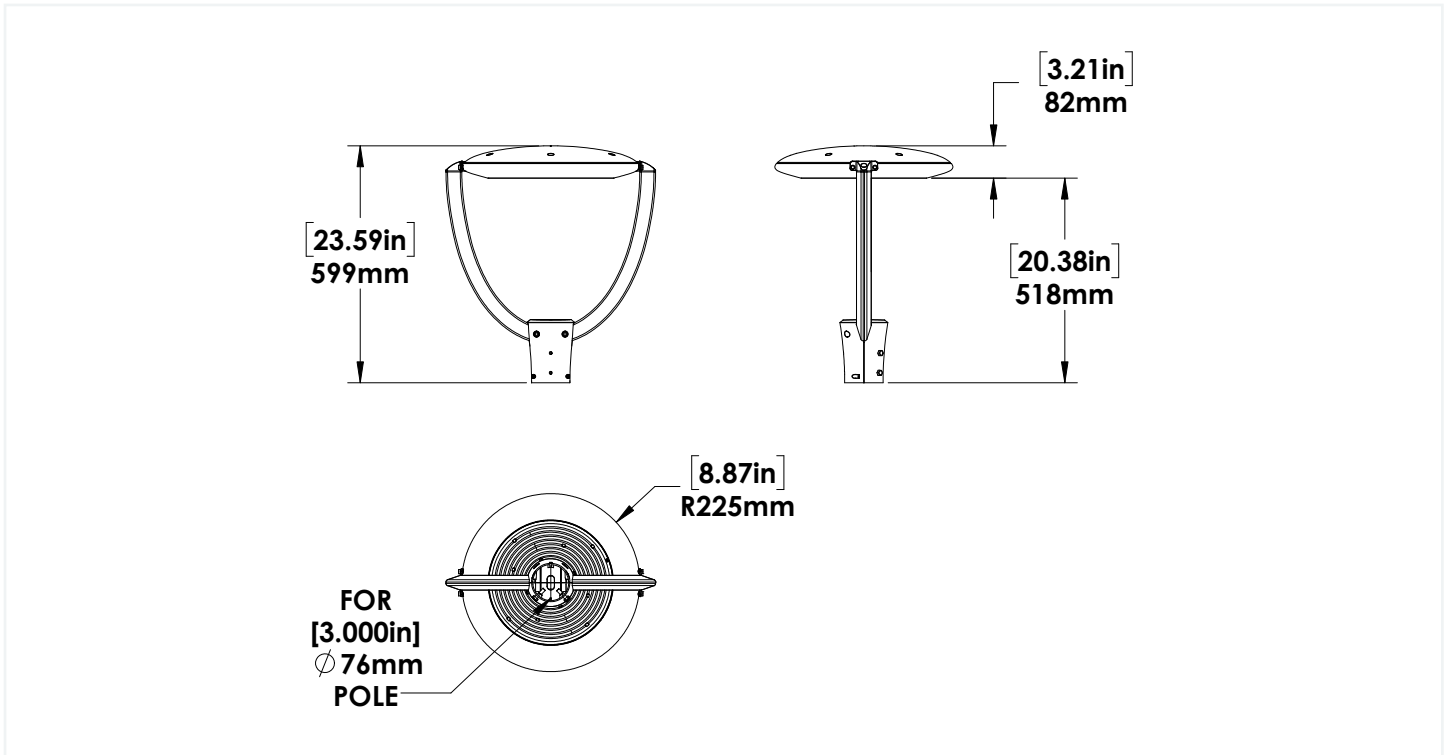
SPECIFICATIONS	XBAR2-LED100	XBAR2-LED150
Watts (W)	101.5	151.3
Lumens (Maximum)	13411	20034
Efficacy (Lm/W)	132.1	132.4
Voltage	120-277V*, 480V	
Colour Temp	4000K*, 5000K	
CRI	80	
Dimming	1-10V Dimming**, 0-10V Dim to Off	
THD	15%	
PF	0.9	
Beam Distribution	90 Degree	
LED Life @ 100,000 Hours	81%	
Housing Finish	Matte Black , Custom Colors	
Housing Details	Die Cast Aluminum	
Lens Details	Clear Polycarbonate Lens	
Mounting	Post Top - Fits 3"Tenon	
Operating Temp.	-40°C to +45°C	
Factory Installed Options	Photocell, 7 PIN Socket for Smart Controls, 10KV Surge Protection.	
Certifications Logos	UL, Wet Location, IP65, DLC Premium	

*Standard Configuration

**120-277V fixture will come with 1-10V Dimming



DIMENSIONS:



AMPERAGE DRAW & SURGE PROTECTION

	CURRENT (A)					SURGE PROTECTION (kV)	
	120V	208V	240V	277V	480V	120-277V	480V
XBAR2-LED100	0.88A	0.51A	0.44A	0.38A	0.22A	4kV	10kV
XBAR2-LED150	1.32A	0.76A	0.66A	0.57A	0.33A	10kV	10kV

TM-21 ESTIMATED LUMEN MAINTENANCE

	50,000 Hours	75,000 Hours	100,000 Hours
	XBAR2-LED100	90.3%	85.7%
XBAR2-LED150			

WEIGHTS (lbs)

XBAR2-LED100	14.33
XBAR2-LED150	

EPA

	0° Tilt
XBAR2-LED	1.29

SPECIFICATIONS

Model Number	Voltage (V)	Power (W)	Light Output (lm)	Efficacy (lm/W)	THD (%)	PF	CCT (K)	B-U-G
XBAR2-LED100-L-4K-90 DEG-XXX-DIM-[PC;BLANK]-[SP;BLANK]-PCL	480	101	12611	124.6	15.0	0.900	4000	3-3-1
XBAR2-LED100-B-4K-90 DEG-XXX-DIM-[PC;BLANK]-[SP;BLANK]-PCL	120-277	102	13411	132.1	15.0	0.900	4000	3-3-2
XBAR2-LED100-B-5K-90 DEG-XXX-DIM-[PC;BLANK]-[SP;BLANK]-PCL	120-277	102	13481	132.6	15.0	0.900	5000	3-3-2
XBAR2-LED100-L-5K-90 DEG-XXX-DIM-[PC;BLANK]-[SP;BLANK]-PCL	480	102	12804	126.0	15.0	0.900	5000	3-3-1
XBAR2-LED150-L-5K-90 DEG-XXX-DIM-[PC;BLANK]-[SP;BLANK]-PCL	480	149	18849	126.3	15.0	0.900	5000	4-3-1
XBAR2-LED150-L-4K-90 DEG-XXX-DIM-[PC;BLANK]-[SP;BLANK]-PCL	480	149	18660	125.0	15.0	0.900	4000	4-3-1
XBAR2-LED150-B-4K-90 DEG-XXX-DIM-[DMS;BLANK]-[SP10;SP20;BLANK]-PCL	120-277	151	20034	132.4	15.0	0.900	4000	4-3-1
XBAR2-LED150-B-5K-90 DEG-XXX-DIM-[DMS;BLANK]-[SP10;SP20;BLANK]-PCL	120-277	151	20259	133.9	15.0	0.900	5000	4-3-1

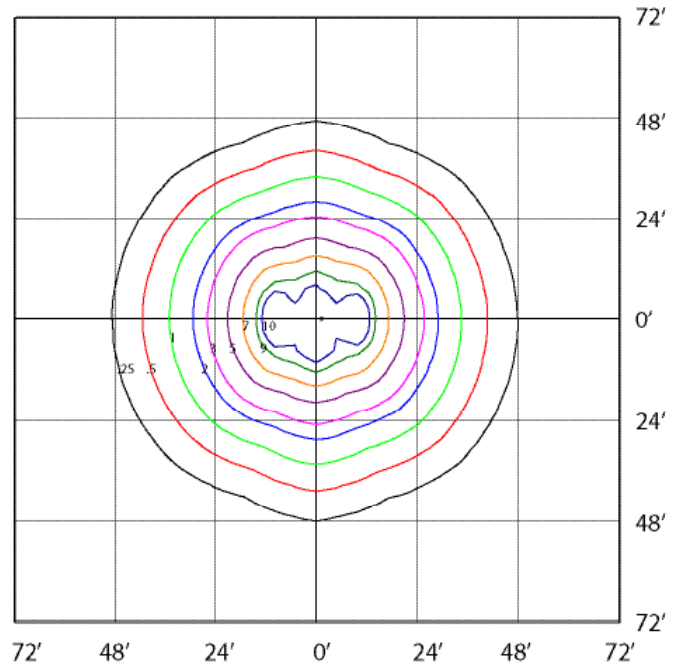
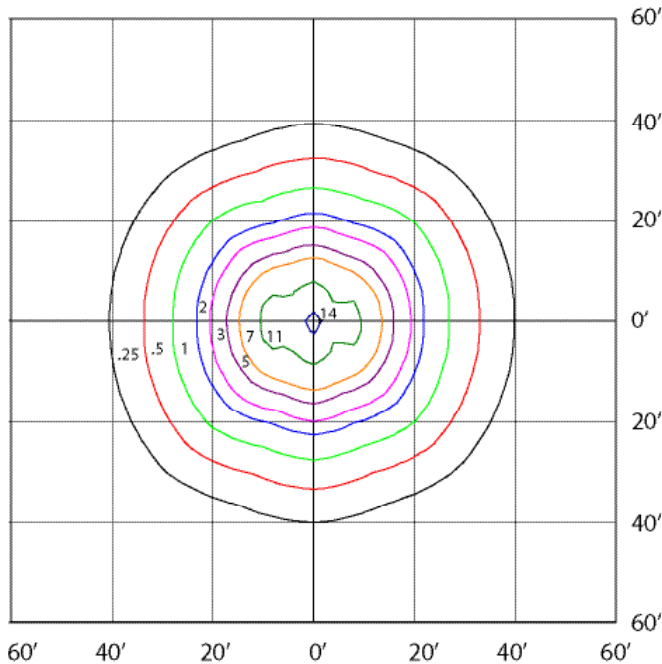
LEGEND

B - 120-277V, L - 480V
 4K - 4000K, 5K - 5000K
 90DEG - 90 Degrees
 DIM - 0-10V Dimming
 PC - Photocell
 SP10 - 10kV Surge Protection
 PCL - Polycarbonate Lens

XBAR2-LED100-B-4K-90DEG-BLK-DIM-PLC
 MOUNTED AT 20 FEET

XBAR2-LED150-B-4K-90DEG-BLK-DIM-PLC
 MOUNTED AT 24 FEET

Total Lumens = 13411 Mounting Height = 20 Ft Maximum Calculated Value = 15.53 Fc Total Lumens = 19764 Mounting Height = 24 Ft Maximum Calculated Value = 14.08 Fc



ORDERING GUIDE:

<div style="display: flex; justify-content: space-around; align-items: center;"> <div style="background-color: #003366; color: white; padding: 5px 15px; border-radius: 5px;">XBAR2</div> <div style="background-color: #003366; color: white; padding: 5px 15px; border-radius: 5px;">90DEG</div> <div style="background-color: #003366; color: white; padding: 5px 15px; border-radius: 5px;">DIM</div> </div>									
Fixture	Wattage	Voltage	Color Temp.	Optics	Finish	Dimming	Controls	Surge Protection	Lens
LED100		B - 120-277V*	4K - 4000K*	90DEG - 90 Degree	BLK - Matte Black	DIM - 0-10V Dimming	BLANK	BLANK	PCL - Polycarbonate Lens
LED150		L - 480V	5K - 5000K		CC - Custom Color		PC- Dusk to Dawn ON/OFF Photocell		
							7 PIN- 7 PIN Socket for Smart Controls		

*Standard Configuration