



# XBAR1-LED

## LED Area Light



### IDEAL APPLICATIONS

- Parking Lots
- Area Lighting
- Commercial Plazas

### DESCRIPTION:

The XBAR-LED Series is a slim, round post top area light with a color selectable switch allowing you to choose a color temperature of 3000K, 4000K or 5000K.

### FEATURES:

#### Construction

- Die cast aluminum housing with matte black finish and clear polycarbonate lens. Custom colour finish is also available.

#### Electrical

- Standard unit is available in 120-277V with 2kV internal surge protection and 480V with 6kV internal surge protection.
- Operates at a temperature of -40° to +45°C.

#### Light Performance

- Colour selectable fixture that gives you the flexibility to choose between 3000K, 4000K or 5000K CCT during installation.
- Unit has a switch inside the housing that is set at a default CCT of 4000K that can be adjusted if needed.

#### Controls

- Optional twist lock photocell.

#### Packaging

- Fixture has been designed to fold neatly to minimize packaging footprint.

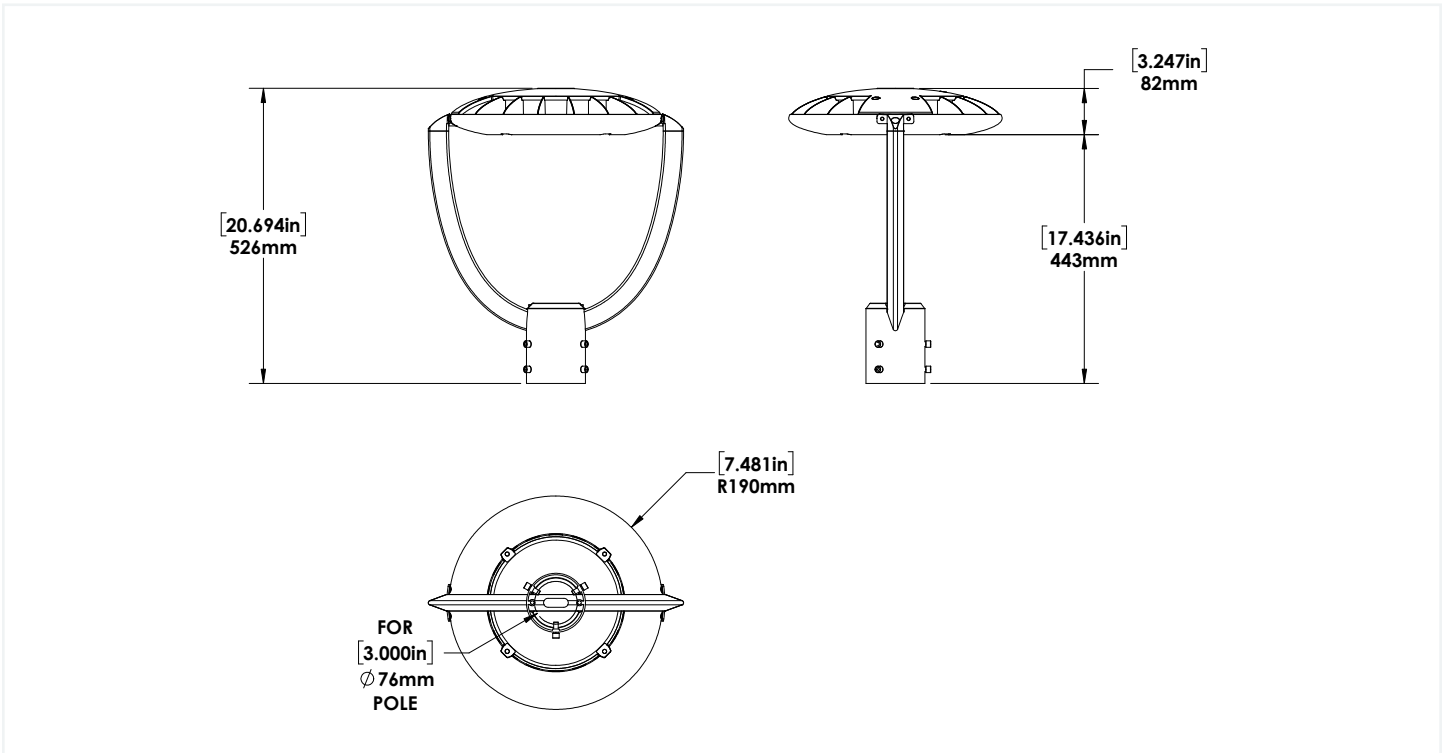
SPECIFICATIONS	XBAR1-LED35	XBAR1-LED75
Watts (W)	32.7	78.1
Lumens (Maximum)	4080	9536
Efficacy (Lm/W)	125	122.1
Voltage	120-277V, 480V	
Color Temp	VK-3000K/ 4000K*/5000K	
CRI	80	
Dimming	0-10V Dim to Off	
THD	15%	
PF	0.9	
Beam Distribution	90 Degree	
LED Life @ 100,000 Hours	81%	
Housing Finish	Matte Black , Custom Colors	
Housing Details	Die Cast Aluminum	
Lens Details	Clear Polycarbonate Lens	
Mounting	Post Top - Fits 3"Tenon	
Operating Temp.	-40°C to +45°C	
Factory Installed Options	Photocell, 7 PIN Socket for Smart Controls, 10KV Surge Protection.	
Certifications Logos	UL, Wet Location, IP65, DLC Premium	

\*Standard Configuration

\*\*120-277V fixture will come with 1-10V Dimming



## DIMENSIONS:



### AMPERAGE DRAW & SURGE PROTECTION

	CURRENT (A)					INTERNAL SURGE PROTECTION (kV)	
	120V	208V	240V	277V	480V	120-277V	480V
XBAR1-LED35	0.31A	0.18A	0.16A	0.14A	0.08A	2kV	6kV
XBAR1-LED75	0.66A	0.38A	0.33A	0.29A	0.17A	2kV	6kV

### TM-21 ESTIMATED LUMEN MAINTENANCE

	50,000 Hours	75,000 Hours	100,000 Hours
XBAR1-LED35	90.3%	85.7%	81.4%
XBAR1-LED75			

### WEIGHTS (lbs)

XBAR1-LED35	9.7
XBAR1-LED75	9.9

### EPA

	0° Tilt
XBAR1-LED	1.07

**SPECIFICATIONS**

Model Number	Voltage (V)	Power (W)	Light Output (lm)	Efficacy (lm/W)	THD (%)	PF	CCT (K)	B-U-G
XBAR1-LED35-B-VK-90 DEG-XXX-DIM-[DMS;PC;BLANK]-[SP10;BLANK]-PCL	120-277	33	4080	125.0	15.0	0.900	3000/4000/5000	2-2-1
XBAR1-LED35-L-VK-90 DEG-XXX-DIM-[PC;BLANK]-[SP10;BLANK]-PCL	480	36	4331	121.5	15.0	0.900	3000/4000/5000	2-2-0
XBAR1-LED75-L-VK-90 DEG-XXX-DIM-[PC;BLANK]-[SP10;BLANK]-PCL	480	75	9021	120.2	15.0	0.900	3000/4000/5000	3-3-1
XBAR1-LED75-B-VK-90 DEG-XXX-DIM-[DMS;PC;BLANK]-[SP10;BLANK]-PCL	120-277	78	9536	122.1	15.0	0.900	3000/4000/5000	3-3-1

**LEGEND**

B - 120-277V, L - 480V  
 4K - 4000K, 5K - 5000K  
 90DEG - 90 Degrees  
 DIM - 0-10V Dimming  
 PC - Photocell  
 SP10 - 10kV Surge Protection  
 PCL - Polycarbonate Lens

XBAR1-LED35-V-VK-90DEG-BLK-DIM-PLC (4000K)  
 MOUNTED AT 12 FEET

XBAR1-LED75-V-VK-90DEG-BLK-DIM-PLC (4000K)  
 MOUNTED AT 15 FEET

Total Lumens = 4080

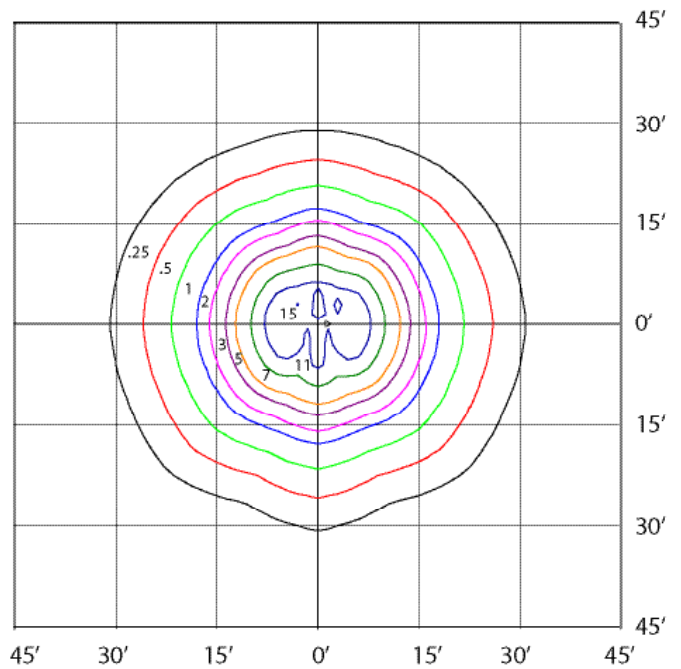
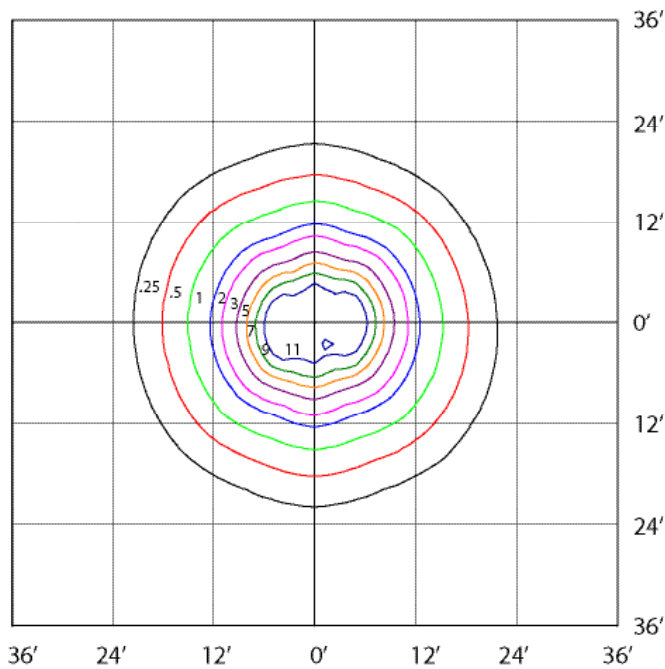
Mounting Height = 12 Ft

Maximum Calculated Value = 13.47 Fc

Total Lumens = 9536

Mounting Height = 15 Ft

Maximum Calculated Value = 18.32 Fc



## ORDERING GUIDE:

<div style="display: flex; justify-content: space-between; align-items: center;"> <span style="background-color: #003366; color: white; padding: 5px 10px; border-radius: 3px;">XBAR1</span> <span style="background-color: #003366; color: white; padding: 5px 10px; border-radius: 3px;">VK</span> <span style="background-color: #003366; color: white; padding: 5px 10px; border-radius: 3px;">90DEG</span> <span style="background-color: #003366; color: white; padding: 5px 10px; border-radius: 3px;">DIM</span> </div>									
Fixture	Wattage	Voltage	Color Temp.	Optics	Finish	Dimming	Controls	Surge Protection	Lens
LED35		B - 120-277V*	VK - Color Selectable (3K/4K**/5K)	90DEG - 90 Degree	BLK - Matte Black	DIM - 0-10V Dimming	BLANK	BLANK	PCL - Polycarbonate Lens
LED75		L - 480V			CC - Custom Color		PC- Dusk to Dawn ON/OFF Photocell		
							7 PIN- 7 PIN Socket for Smart Controls		

\*Standard Configuration

\*\* Factory set to 4000K.