

The CLB2-LED40 is a high efficiency canopy light that replaces a comparable 150W MH fixture. Its efficient heat sink design allows a temperature range of -40°C to +40°C making it ideal for a wide variety of residential, commercial and industrial applications.



APPLICATIONS

Ideal for lighting covered walkways, building entrances and parking garages.

Project	
Type	
Date	
Notes	

SPECIFICATIONS

Construction

The CLB2-40 housing is made from die cast aluminum and has a frosted polycarbonate lens. The unit has air flow openings around the perimeter for efficient heat sinking. The fixture has three conduit entries, one on either side and one on the back.

Mounting

The fixture is ceiling /wall mounted and can be directly mounted on to standard junction boxes. There is a hanging hook assembly that allows easy installation. Once the back plate is installed, the quick hanging hook feature frees up both hands while wiring and making connections.

LED Configuration

Each fixture contains one high efficiency Chip on Board (COB) that delivers a total lumen output of over 4,472 lumens at an efficacy of minimum 110 lumens/watt. This serves as an ideal replacement for a 150W MH fixture. 5000K color temperature is standard. 3000K and 4000K available as options.

Electrical

Total system wattage of the unit is 42W. The standard unit has a high efficiency driver that operates at 120 - 277V. 347V available as an option.

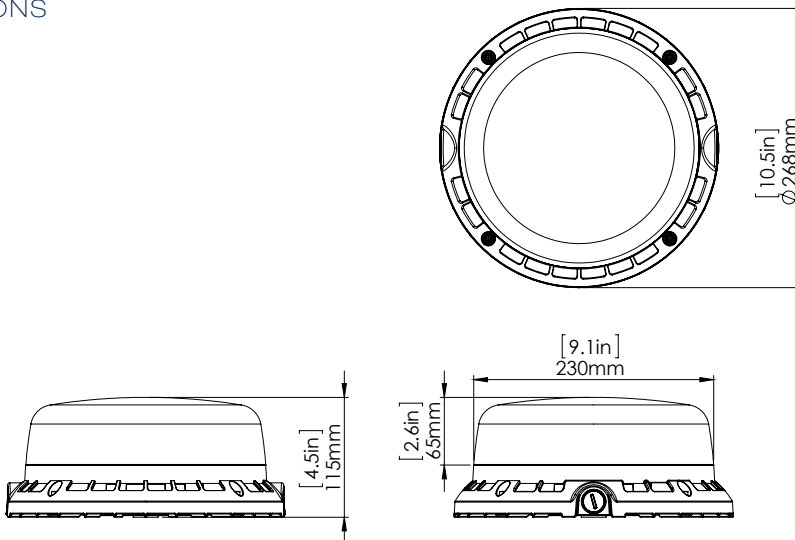
Finish

Bronze finish is standard. Custom colors available.

Fixture Watts	42W
Lumens	min. 4,472 lumens
Efficiency	min 110 lumens/watt

Rated Life	100,000 hours
Certification	cULus
LED Life	100,000 hours
Color Temperature	5000K (standard) 4000K (option) 3000K option)
Warranty	5 Years
Operating temperature	-40° C to +40° C

DIMENSIONS



CLB2-LED40
with Wire guard



INSTALLATION INFORMATION

1. Separate mounting plate from fixture by removing the screw. Attach mounting plate to the junction box.



2. Rest fixture onto hinges and connect wires



3. Reattach fixture to the mounting plate.



ORDERING GUIDE

CLB2	-	40	-		-		-		-			
				VOLTAGE		COLOR TEMP		FINISH		LENS		OPTIONS
				B - 120 - 277V* C - 347V		5K - 5000K* 4K - 4000K 3K - 3000		BRZ - BRONZE* CC - Custom Color		FR - FROSTED LENS*		WG - WIREGUARD

* Standard configuration