



GCL-LED

Canopy Light LED



IDEAL APPLICATIONS

- Overhangs
- Gas Stations
- Parking Garages
- Walkways

DESCRIPTION:

Lumen adjustable canopy fixture in an easy-to-install slim profile design ideal for gas stations, outdoor canopy structures such as overhangs, walkways and underground parking garages.

FEATURES:

Construction

- Rugged aluminum housing with white finish and a clear glass lens.

Electrical

- Comes with high efficiency 120-277V LED driver with a 6KV internal surge suppressor. The operating temperature is -40°C to +40°C.

Light Performance

- High output lumen adjustable fixture allows installer to select between 4 wattage settings: 80W/100W/120W/150W



Lumens may be selected using adjustable switch installed on housing.

- High efficacy fixture that delivers over 150 lumens per watt. Comes with a dedicated CCT of 4000K or 5000K. The fixture has a CRI of 70 and a beam angle distribution of 100°.

Controls

- Dimming PIR Motion Sensor is optional.

Mounting

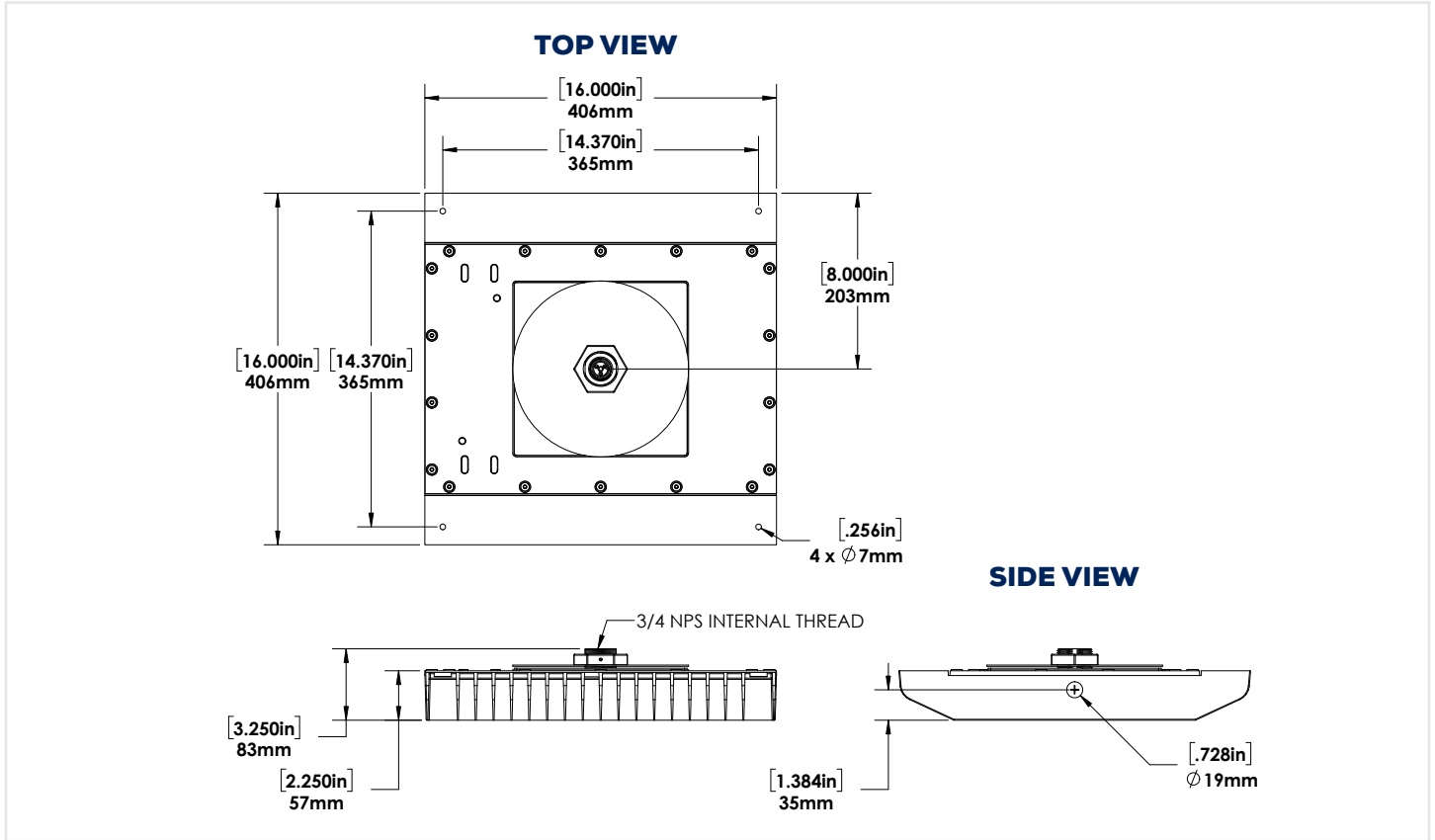
- Slim profile fixture that can be mounted using a surface or pendant mount.

SPECIFICATIONS	GCL-LED150A80
Watts (Max)	150W
Lumens (Max)	22,650Lm
Efficacy (Lm/W)	151
Voltage	120 - 277V
Color Temp.	4000K, 5000K*
Finish	White
CRI	70
Dimming	0-10V (Dim to Off)
THD	15%
PF	0.9
LED Life (L79)	100,000 Hours
Beam Distribution	100°
Housing Details	Die Cast Aluminum
Lens Details	Clear Glass Lens
Mounting	Surface Mount, Pendant Mount
# of Conduit Entries	1
Operating Temp.	-40°C to +40°C
Certifications	UL, Wet Location, IP65, 5 Year Warranty, DLC Premium
Factory Installed Options	Dimming PIR Motion Sensor

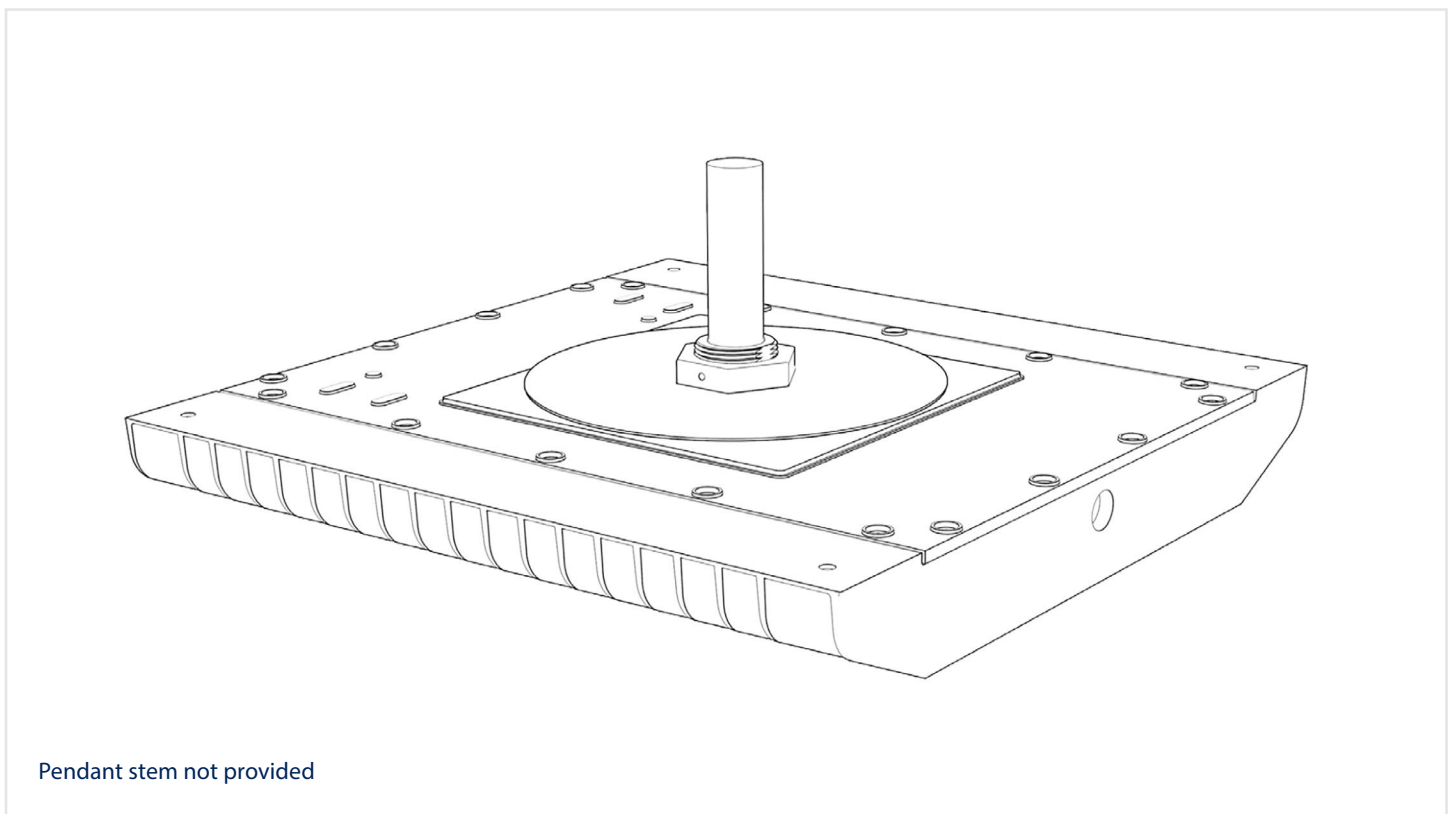
* Standard Configuration



DIMENSIONS



PENDANT MOUNTING



AMPERAGE DRAW & SURGE PROTECTION

	CURRENT (A)				SURGE PROTECTION (kV)
	120V	208V	240V	277V	120-277V
GCL-LED	1.32A	0.76A	0.66A	0.57A	6kV

ADJUSTABLE LUMEN SETTINGS

	76*	95*	115*	146*
WATTS				
LUMENS	11016	13396	15870	22357

*Tested Values

LUMEN MAINTENANCE

	50,000 Hours	75,000 Hours	100,000 Hours
GCL-LED	88.6%	83.5%	78.7%

WEIGHT (LBS)

GCL-LED	5.6
---------	-----

SPECIFICATIONS

Model Number	Voltage (V)	Power (W)	Light Output (lm)	Efficacy (lm/W)	THD (%)	PF	CCT (K)	B-U-G
GCL-LED150A80-B-5K-WHT-DIM	120-277	150	22650	151.0	15.0	0.900	5000	4-2-2
GCL-LED150A80-B-4K-WHT-DIM	120-277	150	22500	150.0	15.0	0.900	4000	4-2-2

DIMMING PIR MOTION SENSOR

Dimming PIR Motion Sensor is factory installed.

RC100 REMOTE

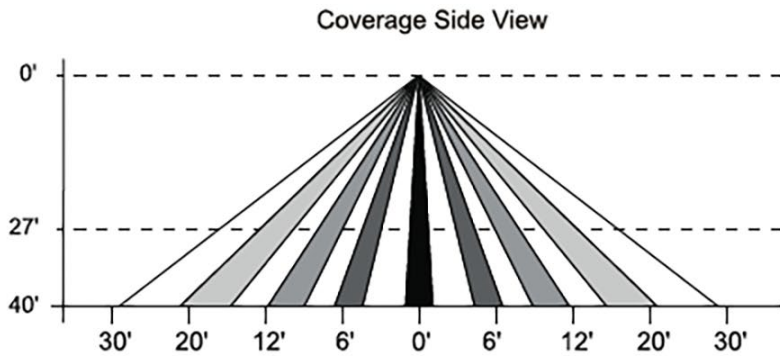


** Required additional purchase for custom configurations

DIMMING PIR MOTION SENSOR SPECIFICATIONS	
INPUT VOLTAGE	120/277VAC, 50/60HZ
RELAY LOAD RATINGS	800W/1200W MAX TUNGSTEN, BALLASTS, LED DRIVER 1/6HP
DETECTION RADIUS/ANGLE	360°, MAXIMUM COVERAGE 60' DIAMETER FROM 40' HEIGHT
HIGH MODE	0-10V; DEFAULT 10V
LOW MODE	OFF, 0-9.8V; DEFAULT 1V
OPERATING TEMPERATURE	-40 TO +158°F (-40 TO +70°C)
OPERATING HUMIDITY	20-90%
WEATHERPROOF RATING	IP66
CERTIFICATIONS	5 YEAR WARRANTY

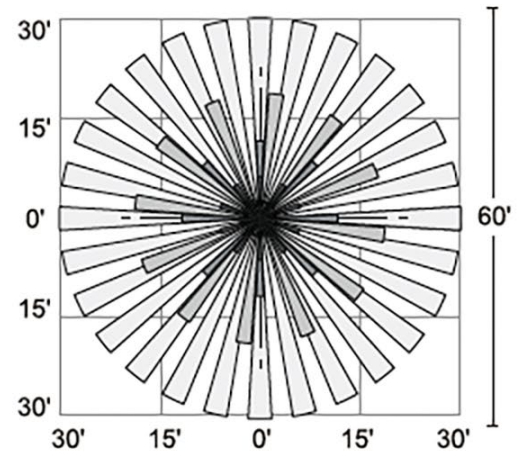
COVERAGE PATTERNS

LS2



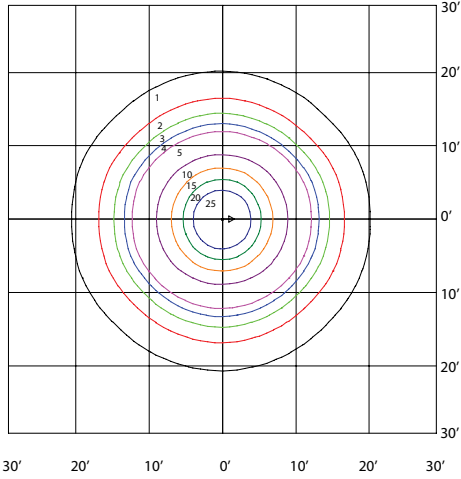
LS2: 360° Coverage

Coverage Top View



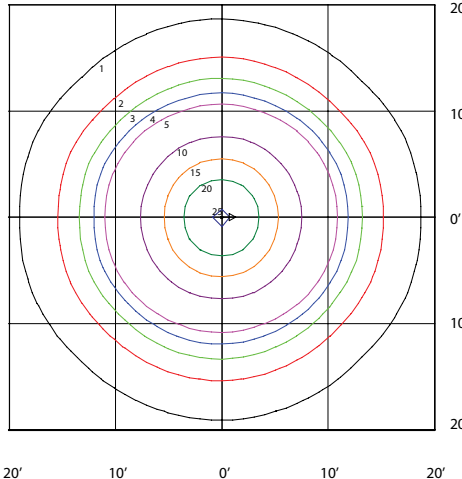
GCL-LED150A80-B-5K-WHT-DIM (100WATT)
MOUNTED AT 12 FEET

Total Lumens = 13396 Mounting Height = 12 Ft Maximum Calculated Value = 33.49 Fc



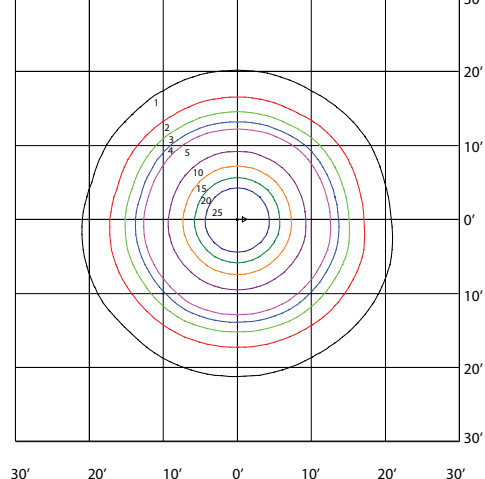
GCL-LED150A80-B-5K-WHT-DIM (120WATT)
MOUNTED AT 15 FEET

Total Lumens = 15868 Mounting Height = 15 Ft Maximum Calculated Value = 25.38 Fc



GCL-LED150A80-B-5K-WHT-DIM (150WATT)
MOUNTED AT 15 FEET

Total Lumens = 22357 Mounting Height = 15 Ft Maximum Calculated Value = 35.05 Fc



ORDERING GUIDE:



Fixture	Wattage	Voltage	Color Temp.	Paint Finish	Driver	Controls
	LED150A80	B - 120-277V	4K - 4000K 5K- 5000K*	WHT - White	DIM - 0 -10V Dimming	BLANK DMS - Dimming PIR Motion Sensor

* Standard Configuration

ORDERING GUIDE FOR ACCESSORIES

Options Sold Separately
Check the items that you wish to order:

052267 - RC-100 Motion Sensor Remote Control