



RHB2S-LED

LED Round Highbay



IDEAL APPLICATIONS

- Warehouses
- Factories
- Gyms
- Industrial Applications

DESCRIPTION:

The Round Highbay provides optimal widespread illumination ideal for warehouses, factories, gyms and other highbay applications. This fixture is color selectable and lumen adjustable.

FEATURES:

- Color Selectable fixture allows Installer to choose between 4000K/5000K at the time of installation.
- The Lumen adjustable fixture allows installer to select between 3 wattage settings:
RHB2S-LED200A150 - 200W/180W/150W
RHB2S-LED240A200 - 240W/220W/200W
- Ruggedly designed with die cast aluminum body and polycarbonate lens.
- Easy to install with mounting hook and 2 meter cord for line voltage and 0.5 meter cord for 0-10V Dimming.
- Suspended, pendant or yoke mounted. Junction box for pendant mounting and Yoke sold separately.
- Accessories include Aluminum Reflector, Yoke, PC reflectors, PC Reflector Cover, Wire Guard, M10 to 1/2" or 3/4" Adaptor with Junction Box, Motion Sensor and Remote Control.
- Optional motion sensor that can be easily connected without the need for extra wiring.

SPECIFICATIONS	RHB2S-LED200A150	RHB1S-LED240A200
Watts (W)	205.7	238.2
Lumens (Maximum)	29844.5	34053.8
Efficacy (Lm/W)	145.1	143
Color Temp	VK - Color Selectable (4K,5K)*	
Voltage	120-277V*	120-277V*, 480V
CRI	85	
THD	15%	
Dimming	0-10V Dimming (Range: 10%-100%)*	
PF	0.9	
LED Life @ 100,000 Hours	81%	
Beam Distribution	90 Degrees	
Finish	Matte Black*	
Housing Details	Die Cast Aluminum	
Lens Details	Clear PC Lens*	
Mounting	Pendant, Suspended*, Yoke	
Operating Temp.	"Without Motion Sensor: -40°C to 50°C With Motion Sensor: -30°C to 50°C"	
Certifications	UL, Wet Location, IP65, 3G	
Options Sold Separately	"Yoke, Junction box with adapter, Wire guard, Polycarbonate/Aluminum Reflectors and Cover, DC Microwave Motion Sensor and Remote, Emergency Battery Back Up"	

*Standard Configuration

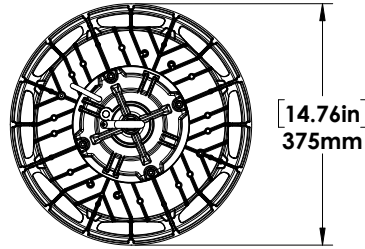
Note: For lumen outputs at other wattage settings, please view Lumen Adjustable Settings table on page 6.



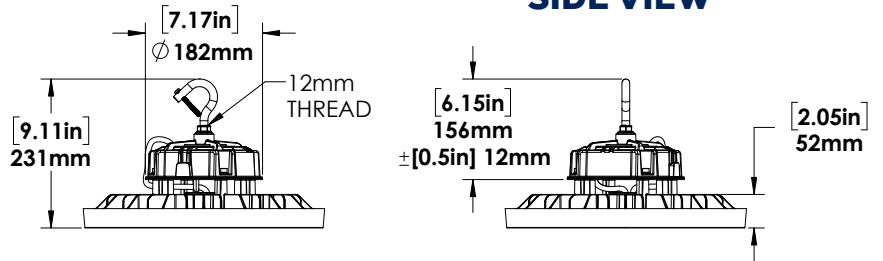
DIMENSIONS:

**FIXTURE
DIMENSIONS**

TOP VIEW

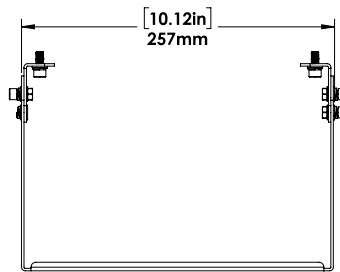


SIDE VIEW

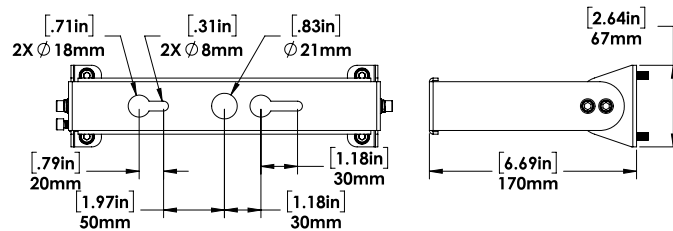


YOKE

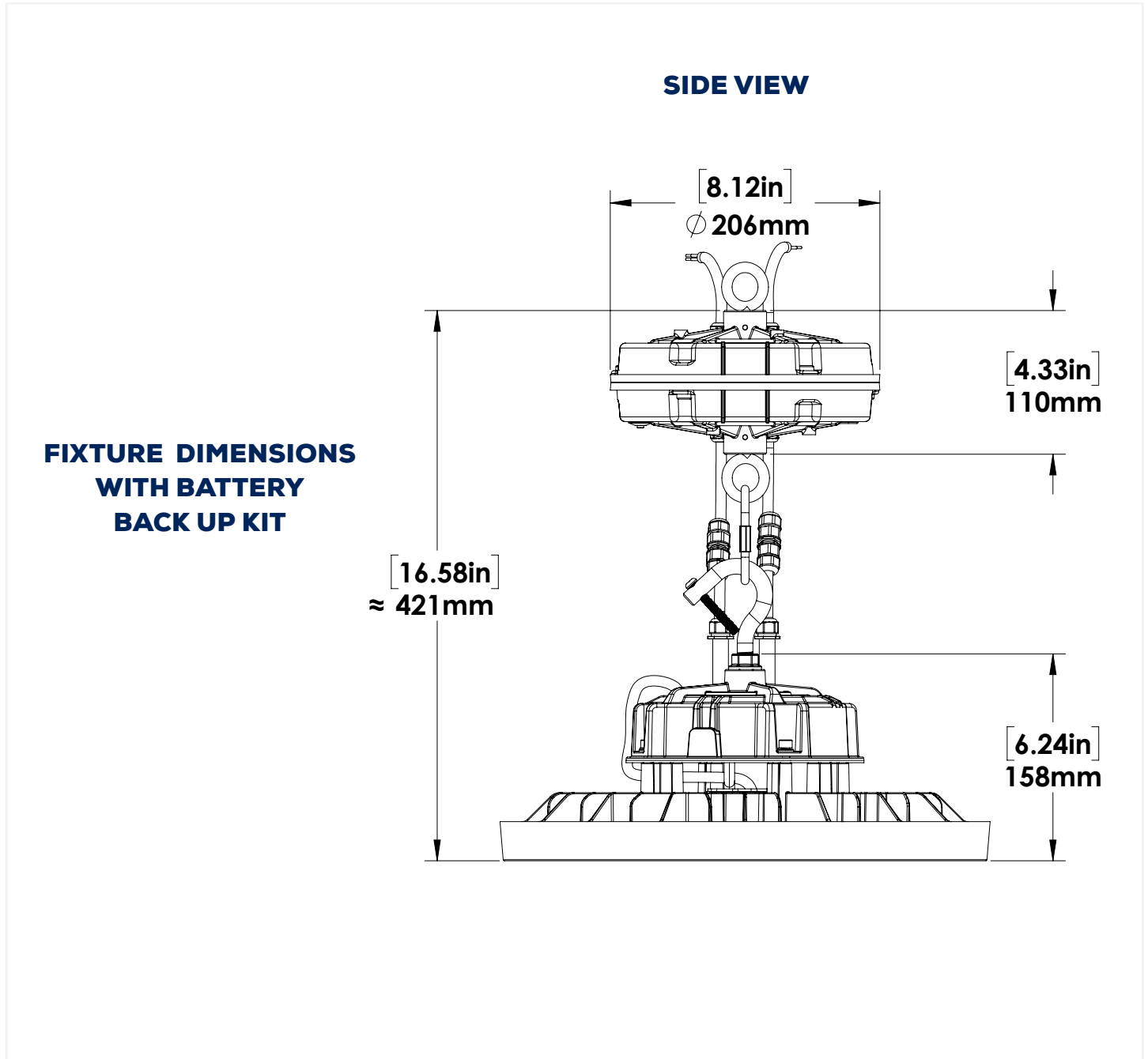
TOP VIEW



SIDE VIEW



DIMENSIONS:

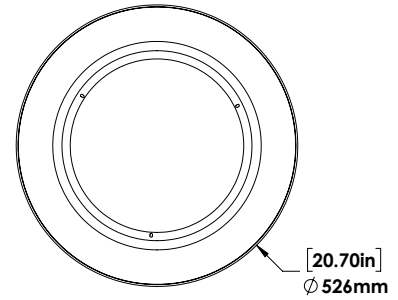


DIMENSIONS:

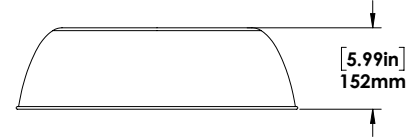


**ALUMINUM
REFLECTOR**

TOP VIEW

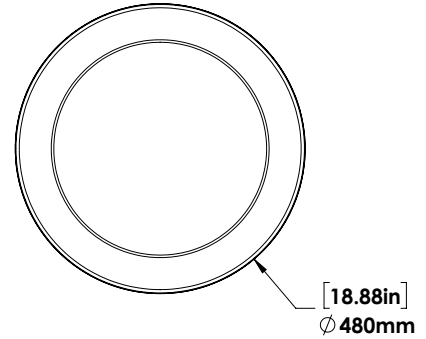


SIDE VIEW

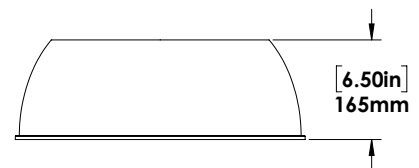


**PC REFLECTOR
(CLEAR PRISMATIC)**

TOP VIEW

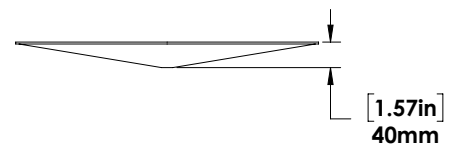


SIDE VIEW

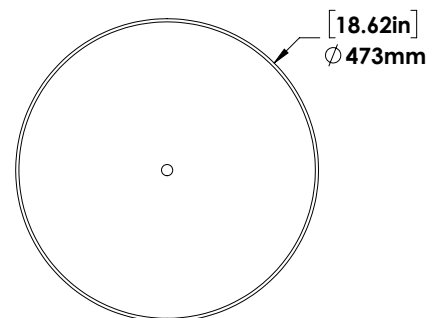


**PC REFLECTOR
COVER
(CLEAR PRISMATIC)**

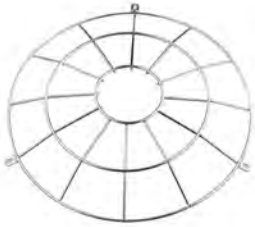
SIDE VIEW



TOP VIEW

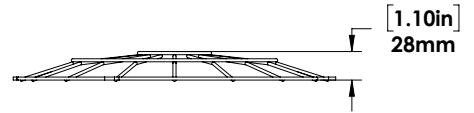


DIMENSIONS:

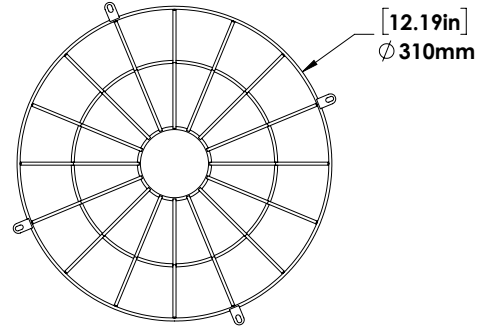


WIRE GUARD

SIDE VIEW

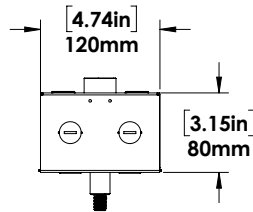
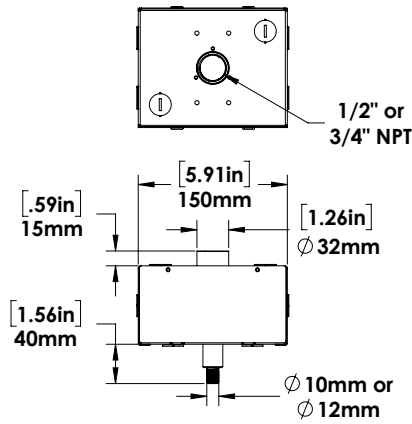


TOP VIEW

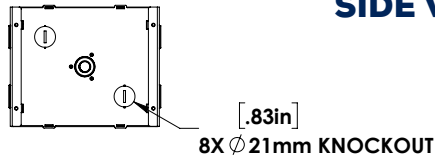


**JUNCTION BOX
WITH 1/2" OR 3/4"
NPT ADAPTER**

TOP VIEW



SIDE VIEW



DIMMING WIRE ACCESSIBILITY:



DIMMING WIRE ACCESSIBLE FOR WALL SWITCH WITHOUT THE NEED OF OPENING THE FIXTURE OR CUTTING THE CABLE



AMPERAGE DRAW & SURGE PROTECTION

	CURRENT (A)					SURGE PROTECTION
	120V	208V	240V	277V	480V	
RHB2S-LED200A150	1.75A	1.01A	0.88A	0.76A	0.44A	120-277V 6kV
RHB2S-LED240A200	2.1A	1.22A	1.05A	0.91A	0.53A	

LUMEN ADJUSTABLE SETTINGS

RHB2S-LED200A150			
WATTS	150W	180W	206W
LUMENS	21768	26122	29845
RHB2S-LED240A200			
WATTS	200W	220W	238W
LUMENS	28598	31458	34054

WEIGHT (LBS)

RHB2S-LED200A150	7.28
RHB2S-LED240A200	8.16

LUMEN MAINTENANCE

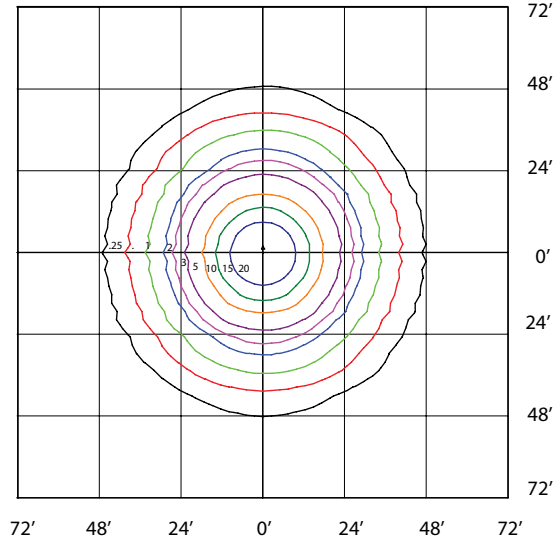
	50,000 HRS	75,000 HRS	100,000 HRS
RHB2S-LED200A150	90.3%	85.7%	81.4%
RHB2S-LED240A200	90.3%	85.7%	81.4%

SPECIFICATIONS

Model Number	Voltage (V)	Max Power (W)	Max Light Output (lm)	Efficacy (lm/W)	THD (%)	PF	CCT (K)
RHB2S-LED200A150-B-VK-BLK-DIM-PCL	120-277	206	29845	145.1	15.0	0.900	4000/5000
RHB2S-LED240A200-B-VK-BLK-DIM-PCL	120-277	238	34054	143.0	15.0	0.900	4000/5000
RHB2S-LED240A200-L-VK-BLK-DIM-PCL	480	226	33777	149.2	15.0	0.900	4000/5000

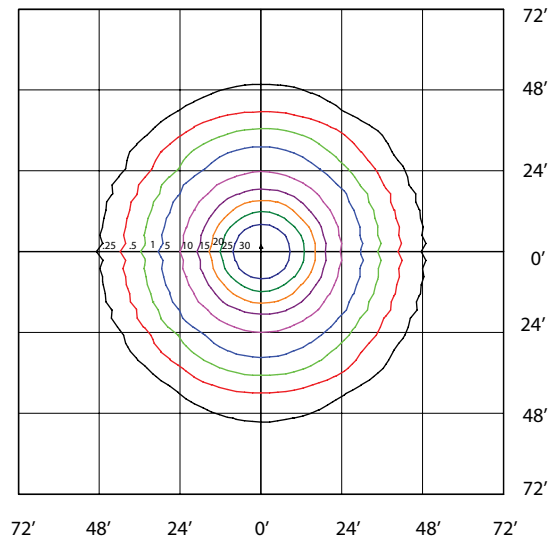
RHB2S-LED200A150-B-VK-DIM (200WATT 4000K)
MOUNTED AT 24 FEET

Total Lumens = 29432 Mounting 24 Feet Maximum Calculated Value = 25.51 Fc



RHB2S-LED240A200-B-VK-DIM (240WATT 4000K)
MOUNTED AT 24 FEET

Total Lumens = 34018 Mounting 24 Feet Maximum Calculated Value = 30.07 Fc



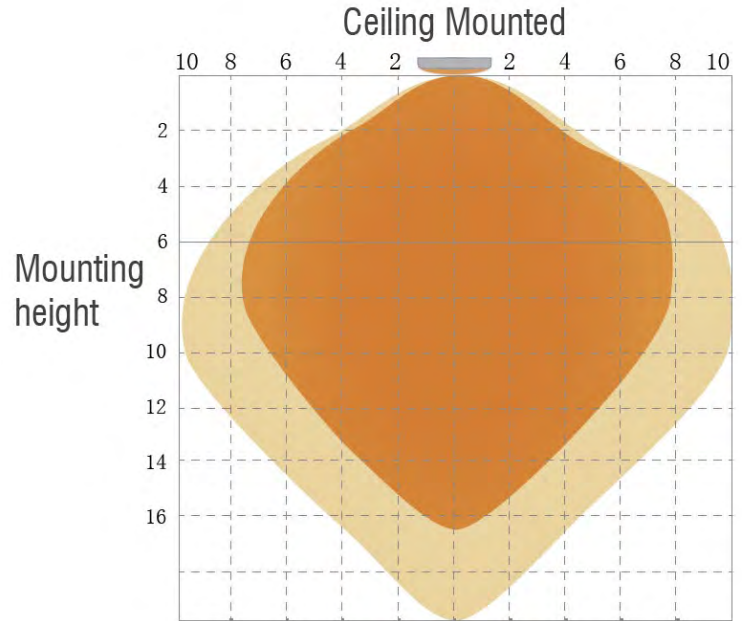
RHB1S/RHB2S DC MOTION SENSOR SETTINGS

SENSOR SPECIFICATIONS

SPECIFICATIONS	
Operating Voltage	12V DC
Operating Current	30mA
Output	0-10V DC
Stand-by Power	0.5W
Frequency	5.8GHz +/-75MHz
IP Rating	IP65
Detection Angle	30° - 150°
Mounting Height	Max 15m (50ft)
Brightness	70%/80%/90%/100%
Sensitivity	20%/50%/75%/100%
Hold time	10s/1min/10min/30min
Daylight threshold	10Lux/30Lux/50Lux/100Lux/Disabled
Stand-by time	1min/30min/60min/+∞
Stand-by Dimming Level	10%/20%/30%/50%

DEFAULT SETTINGS	
Brightness	70%
Sensitivity	20%
Hold time	10s
Daylight threshold	Disabled
Stand-by time	+ ∞
Stand-by Dimming Level	10%

SENSOR DETECTION RANGE (M)



RHB1S/RHB2S DC MOTION SENSOR REMOTE CONTROL

SPECIFICATIONS

TOP SECTION:
Settings Display Area



Bottom Section:
Button Setting Area

BUTTON	FUNCTION
ON/OFF	Long press until the brightness indicator light is on. Then press to permanently turn on and off the fixture.
BRIGHTNESS	Sets the highest light fixture brightness when motion is detected.
SEND	Uploads the selected remote-control parameters to the light fixture sensor.
HOLD TIME	The time the light fixture will remain at the brightness setting after it detects motion.
STAND-BY DIM	The Dim level that the light fixture will dim down after the Hold Time has expired.
STAND-BY TIME	The time the light fixture will remain in the Stand-by dim state before it shuts off. To disable the light from shutting off, select the INFINITY icon.
SENSITIVITY	Sets the sensitivity to which the sensor will detect motion.
DAYLIGHT	The lux setting that the light fixture will turn on/off. If the ambient lux is more than the defined lux setting, the fixture & sensor function will turn off and remain off until the ambient lux is below the setting. Long press until the daylight indicator light is on. Then press to select the desired lux setting.
RESET	Resets the light fixture sensor parameters to the default settings.
-/+	Press to increase or decrease brightness from 0% to 100%.
TEST	Press to test the sensor (hold time is only 3s).

LED EMERGENCY DRIVER

TECHNICAL DATA

ITEM	DATA
Rated Input Voltage	100-277 VAC, 50-60Hz
Input Current	40-150mA
Input Power	8.5W max
Power Factor	0.6 @ 100VAC
Output Wire L - out N - out (LED load input)	AC 6A Max, 40W
Output Voltage Range	DC 120-200V
Max Output Voltage	250V
Battery Pack Voltage/Capacity	LiFePO4 12.8V 6600mAh, 84.48 Wh
Recharge Current	0-500mA
Recharge Time	24 Hours
Discharge Time	90 Minutes
Max. Casing Temperature tc.	70°C

PROTECTIONS

- Input over current protection.
- Output over voltage protection.
- Output under current protection.
- Output short circuit protection (Emergency Mode).

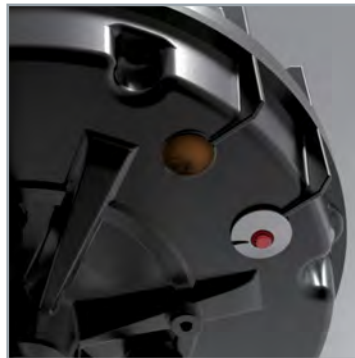
WARNINGS

- It is only used for 1-10V dimmable <300W lighting fixtures.
- Please check and confirm all the data and usage surrounding before installation.
- Damp or wet location.
- Please keep it away from any flammable materials with a place of good heat dissipation.
- Please charge the battery consistently for >24 hours for the first time usage to activate the whole battery cells of discharging/charging duration.



REMOTE CONTROL

- If you press the TEST button once, the system will go into discharging mode for 5 seconds then returns to charging mode.
- If you press H-T (Hold test button), the system will go into charging mode and will keep discharging. By pressing it again, the system will stop discharging and go back into working mode.
- The Max remote control distance is 15 meters.



TEST SWITCH

- Emergency conversion Kit will go into emergency mode if test switch is pressed when main supply is on, while it will go into charging mode if test switch is not pressed.
- In emergency mode, press the test switch for 3 seconds to turn off the current emergency state.

LED INDICATOR

- Red stable: charging mode or charging full.
- Red off: main power off or discharging.

ORDERING GUIDE:

RHB2S-LED	VK	BLK	DIM	PCL	
Wattage	Voltage	Color Temp.	Finish	Dimming	Lens
LED200A150**	B - 120-277V*	VK-Color Selectable (4K/5K)*	BLK - Matte Black*	DIM - 0-10V Dimming*	PCL - Polycarbonate Lens*
LED240A200	L - 480V				

WATTAGE MAPPING TABLE

200A150	150W/180W/200W
240A200	200W/220W/240W

*Standard Configuration

**Only available in B voltage

Ordering Guide For Accessories

Check the items that you wish to order:

- 051975 RHB2/RHB2S YOKE BLK
- 052296 RHB1S/RHB2S/RHB3S JUNCTION BOX PENDANT KIT
- 052298 RHB2S ALUMINUM REFLECTOR
- 052301 RHB2S POLYCARBONATE REFLECTOR
- 052302 RHB2S POLYCARBONATE REFLECTOR COVER
- 052304 RHB2S STEEL WIRE GUARD
- 052305 RHB1S/RHB2S DC MOTION SENSOR
- 052306 RHB1S/RHB2S DC MOTION SENSOR REMOTE CONTROL
- 002329 RHB 40W 120-277V LED EMERGENCY BATTERY BACKUP