

## INSTALLATION INSTRUCTIONS



### ELECTRICAL SHOCK HAZARD

**READ, UNDERSTAND, and FOLLOW** these instructions before installing the equipment.

## WARNING

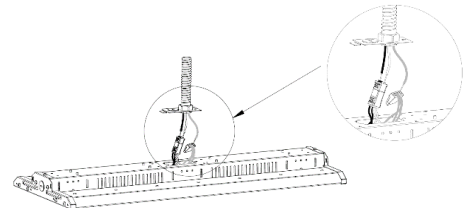
Disconnect the Electrical supply power at the service panel (fuse or circuit breaker box). Failure to do so could result in serious injury or death. Only qualified electricians should install this fixture and the installation MUST conform to the Electrical Code and all local codes and ordinances. Ensure that only proper tools, materials, and equipment are used to complete the installation.

## SAFETY

- Proper grounding is required to ensure personal safety.
- Fixture should be mounted in locations where unauthorized personnel will not readily subject it to tampering.
- Do not use this equipment for anything other than its intended purpose.
- Servicing this equipment should be performed by qualified service personnel.
- Save these instructions.
- This equipment has been tested and found to comply with the limits for a Class B digital device, pursuant to part 15 of the FCC Rules. These limits are designed to provide reasonable protection against harmful interference in a residential installation. This equipment generates, uses and can radiate radio frequency energy and, if not installed and used in accordance with the instructions, may cause harmful interference to radio communications.
- Changes or modifications to this unit not expressly approved by the party responsible for compliance Could void the user authority to operate the equipment.
- **MIN 90 °C SUPPLY CONDUCTOR**

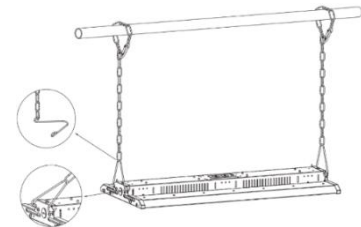
## INSTALLATION

- The wire connections are accessible by opening the access plate with a screwdriver.



### Suspended Mount:

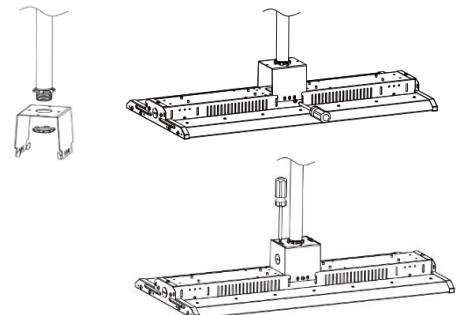
- 1) Connect the chain with fixture using V-hooks.
- 2) Fix the chain to the ceiling, adjust the chain length as needed.
- 3) After the fixing, choose suitable wiring knock out, make wiring connections as per wiring diagram.



### Pendent Mount:

**(Battery Backup cannot be chosen with this mount)**

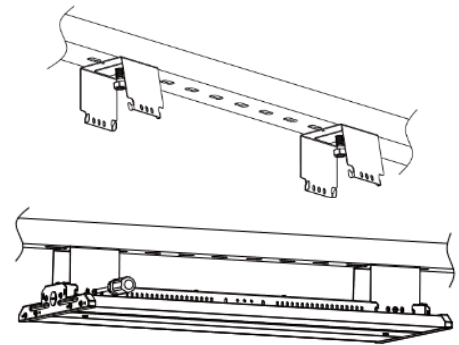
- 1) Unscrew the two screws on top of the bracket and remove the smaller plate inside. (Using those two screws for securing the side plate later)
- 2) Mount the bracket on pendant pipe.
- 3) Lock fixture on the bracket and secure with screws.
- 4) After the fixing, choose suitable wiring knock out, make wiring connections as per wiring diagram.
- 5) Install side plates and secure with a screw on each plate.



## INSTALLATION INSTRUCTIONS

### Surface Mounting:

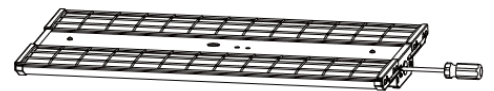
- 1) Mount the bracket on the rail or ceiling.
- 2) Mount the fixture bracket on the bolt and then install the fixture.
- 3) After mounting, choose suitable wiring knock out and make wiring connections as per wiring diagram.



### Extra Accessory Option Installation:

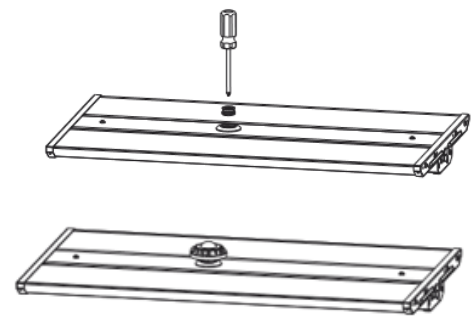
#### Wire Guard:

- 1) Mount the wire guard on the fixture and secure with screws.



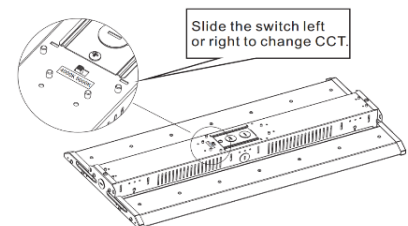
#### DC Motion Sensor:

- 1) Use a screwdriver to remove the plug from the sensor base.
- 2) Twist-lock the DC sensor to the base to make it work properly, use a remote control to adjust the settings.



### CCT Tunable (If Applicable)

CCT selectable switch is included in every luminaire. It is accessed outside during installation. The switch can be set to 4000K, and 5000K CCT.



## WIRING

- Check that the line voltage is correct.
- Connect fixture **GROUND** (green) wire to power supply **GROUND** (green) wire.
- Connect fixture **WHITE** wire to power supply **NEUTRAL** wire.
- Connect fixture **BLACK** wire to power supply **LINE** wire.
- The fixture includes 0-10V dimming functionality, connect **GREY** or **PINK** and **VIOLET** wires to a 0-10V dimming controller or motion sensor (optional).

