



WPS-LED

Architectural Wall Pack
Semi Cut Off Version



IDEAL APPLICATIONS

- Schools
- Entrances
- Condos
- Perimeter Lighting

DESCRIPTION:

The WPS-LED Series of fixtures are semi cut off wall packs in a sleek, modern design ideal for perimeter lighting in schools, condominiums, shopping malls, and commercial applications. Fixtures are versatile with features such as CCT select, lumen adjustability and wide voltage range.

FEATURES:

- Fixtures are CCT selectable (3000K/4000K/5000K)
- Three lumen adjustable/wattage settings (refer to page 3 for spec values)
- 120-347V wide voltage range (120-277V or 347V needs to be selected when ordering PC).
- Side hinged design allows Installer to use both hands for wiring.
- Fixture has a level bubble for quick alignment.
- Die cast aluminum housing with frosted polycarbonate lens.
- 0-10V dimming is standard.
- This Wallpack has five 1/2" NPS holes (one on each side plus one on the back) with matching plugs, for photocells and sensors installation.
- Optional 8W, 90 min Emergency Battery Back Up and 20W Cold Battery Back Up available for WPS2 only.
- Motion Sensor Remote Control (RC100) available to program fixture with Dimming High Frequency Sensor (DHFS).

SPECIFICATIONS	WPS1-LED30A18	WPS2-LED70A42
Watts	29.8 (max)	64.4 (max)
Lumens	4341.7 (max)	8847.2 (max)
Efficacy (Lm/W)	145.7	137.2
Voltage	120 - 277V*	
Colour Temp.	VK - Colour Selectable 3000K/4000K*/5000K	
Finish	Bronze*, Custom Colour	
Housing Details	Die Cast Aluminum	
Lens Details	PC Frosted Lens	
Mounting	Wall Mount	
THD	10.7%	15%
PF	0.92	
LED Life @ 100,000 Hours	95%	88%
Operating Temp.	-40°C to +40°C	
CRI	73	
Dimming	0-10V Dimming (Range: 10%-100%)*	
Certifications	UL, Wet Locations, IP65, 5 Year Warranty	
Factory Installed Options	Battery Backup**, Photocell, Dimming High Frequency Motion Sensor	

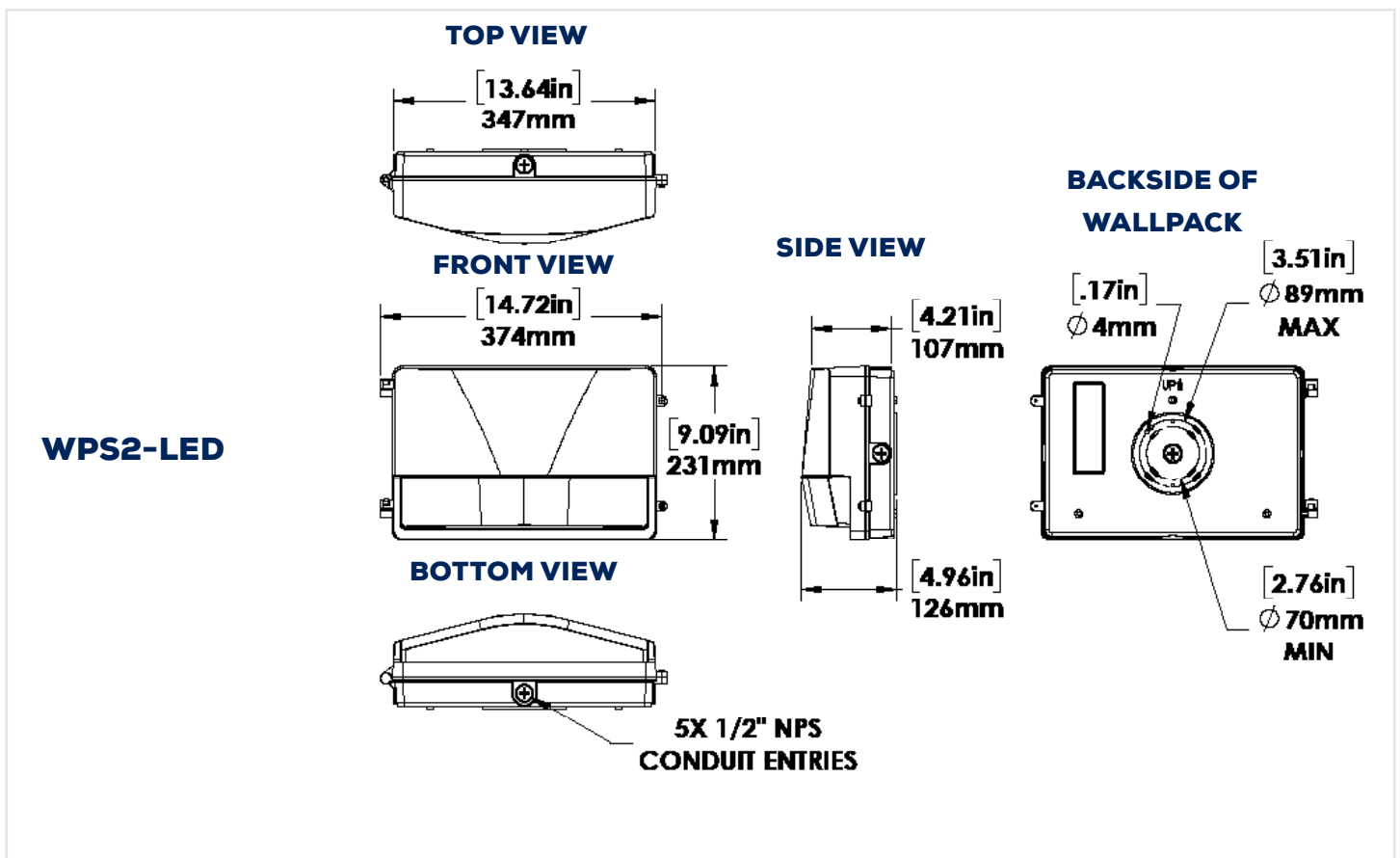
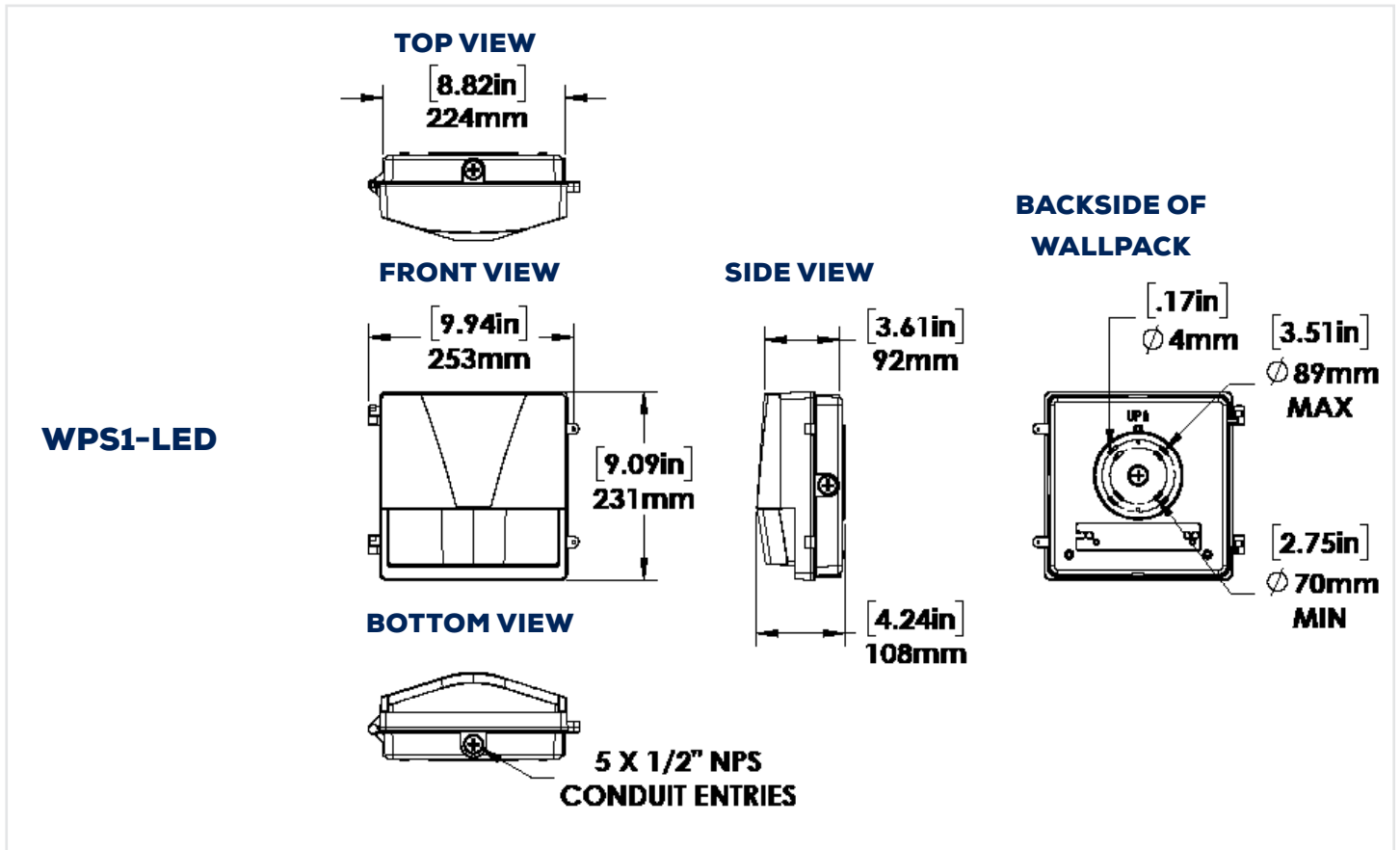
*STANDARD CONFIGURATION

**AVAILABLE ONLY FOR SIZE 2

NOTE: FOR LUMEN OUTPUTS AT DIFFERENT WATTAGE SETTINGS, PLEASE REFER TO LUMEN ADJUSTABLE SETTINGS TABLE ON PAGE 3.



DIMENSIONS



AMPERAGE DRAW & SURGE PROTECTION

	CURRENT (A)				BUILT-IN SURGE PROTECTION
	120V	208V	240V	277V	
WPS1-LED30A18 (Max Wattage)	0.22A	0.13A	0.11A	0.1A	2kV
WPS2-LED70A42 (Max Wattage)	0.49A	0.28A	0.25A	0.21A	

LUMEN ADJUSTABLE SETTINGS

WPS1-LED30A18			
WATTS	15	24	30
LUMENS	2623	3496	4342
WPS2-LED70A42			
WATTS	42	56	64
LUMENS	5761	7682	8847

WEIGHT (LBS)

WPS1-LED30A18	4.2
WPS2-LED70A42	6.55

LUMEN MAINTENANCE

	50,000 HRS	75,000 HRS	100,000 HRS
WPS1-LED30A18	97.4%	96.1%	94.8%
WPS2-LED70A42	93.9%	91.0%	88.2%

SPECIFICATIONS

Model Number	Voltage (V)	Power (W)	Light Output (lm)	Efficacy (lm/W)	THD (%)	PF	CCT (K)	B-U-G
WPS1-LED30A18-B-VK-XXX-DIM-[DMS;PC;Blank]	120-277	30	4342	145.7	10.68	0.943	3K/4K/5K	1-4-3
WPS2-LED70A42-B-VK-XXX-DIM-[DMS;PC;Blank]	120-277	64	8847	137.2	14.95	0.901	3K/4K/5K	2-5-4

ORDERING GUIDE:

Fixture	Wattage	Voltage	Colour Temp.	Paint Finish	Driver	Lighting Controls	Battery Back Up**
WPS1-LED	25A15	B - 120-277V	VK - Colour Selectable 3K/4K/5K	BRZ - Bronze*	DIM - 0 - 10V Dimming	DHFS - Dimming High Frequency Motion Sensor	BBK8 - 8W Battery Back Up
WPS2-LED	55A33						

*STANDARD CONFIGURATION

** ONLY AVAILABLE FOR WPS2, NOT DLC QUALIFIED

ACCESSORIES

Options Sold Separately

Check the items that you wish to order:

- 052267 - RC100 MOTION SENSOR REMOTE CONTROL
(One remote control required per order to configure custom settings for the DHFS sensor)