



# VP4-LED35

LED Narrow Linear Vapourproof

## SPECIFICATIONS\*

Watts	35W
Lumens	4479.9
Efficacy (Lm/W)	129.03
Replaces Up To	2 Lamp T8
Color Temp.	4000K, 5000K
Certification	cULus, IP65, DLC
Operating Temp.	-30°C to +40°C
Voltage	120-277
LED Life	100,000 hours
Housing Material	Polycarbonate
Lens Material	Polycarbonate
Lens Type	Frosted
Mounting	Surface mount
Total Harmonic Distortion	12.53%
Power Factor	0.9483
CRI	83.1



## DESCRIPTION

The VP4 is a four foot linear vapourproof fixture ideal for use in wet locations both indoors and outdoors in parking garages, commercial and industrial facilities. Not for use in car wash facilities.

## APPLICATIONS



Parking  
Garages



Commercial  
Facilities



Industrial  
Facilities

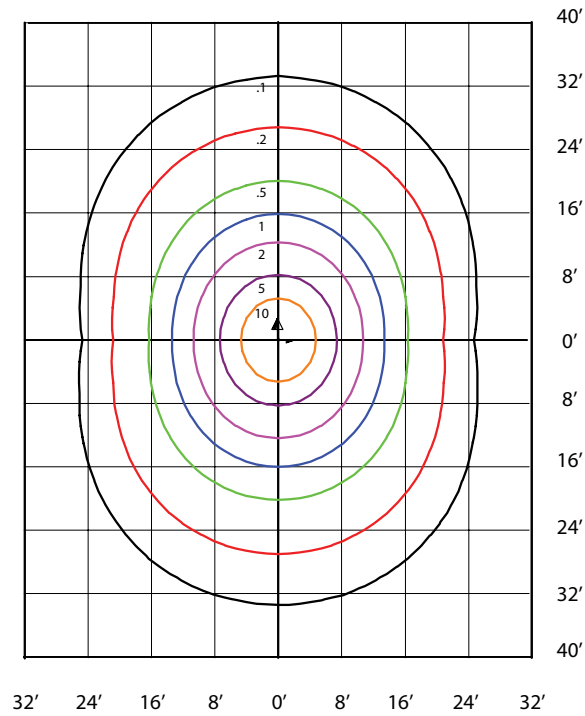
## FEATURES

- 4' narrow linear vapourproof fixture.
- Polycarbonate housing with frosted lens.
- 10 polycarbonate clips for locking lens to the housing.
- 0-10V Dimming is standard.
- Predrilled conduit entries for ease of installation.
- Folding junction box cover in white finish included.
- Adjustable stainless steel mounting brackets.

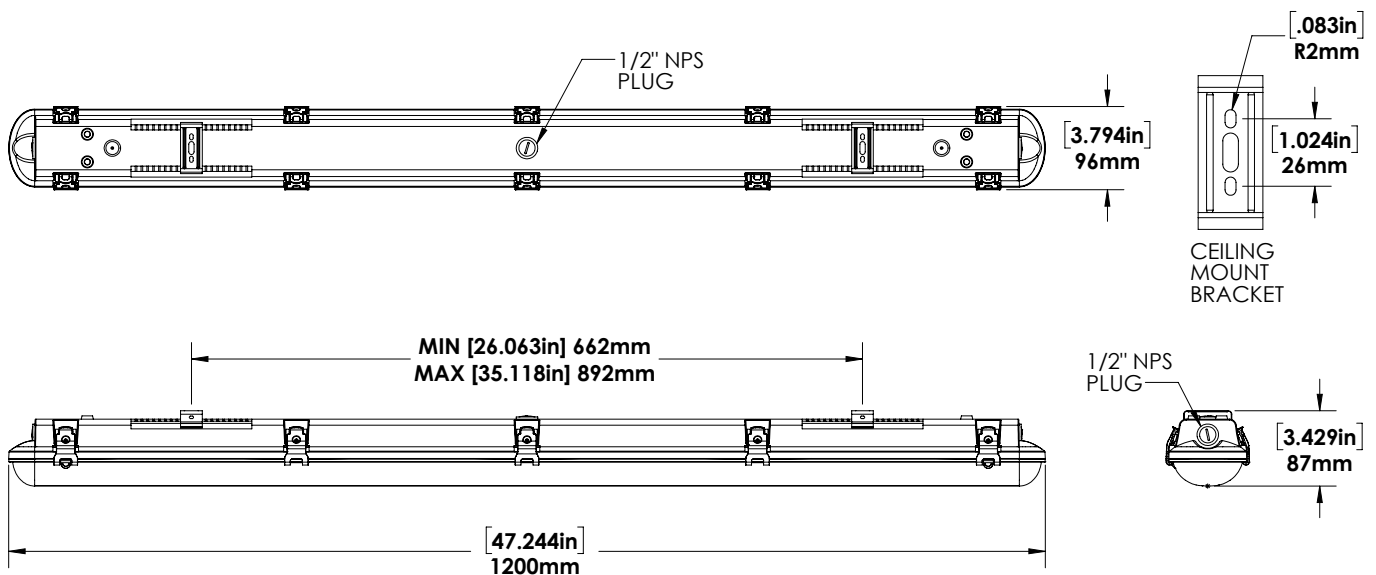
\*The above specs apply to the VP4-LED35-B-4K-DIM. For spec information on other product configurations please see page 3.

## PHOTOMETRICS

**VP4-LED35-B-4K-DIM  
MOUNTED AT 8 FEET**



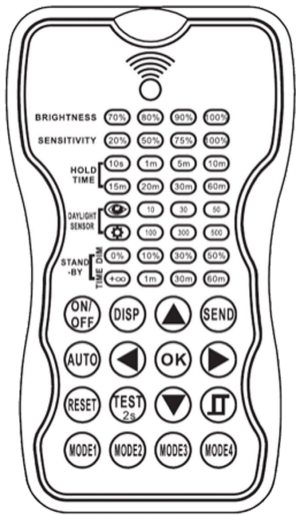
## DIMENSIONS



# DHFS MOTION SENSOR

Dimming High Frequency Motion Sensor is factory installed.

## RC100 REMOTE

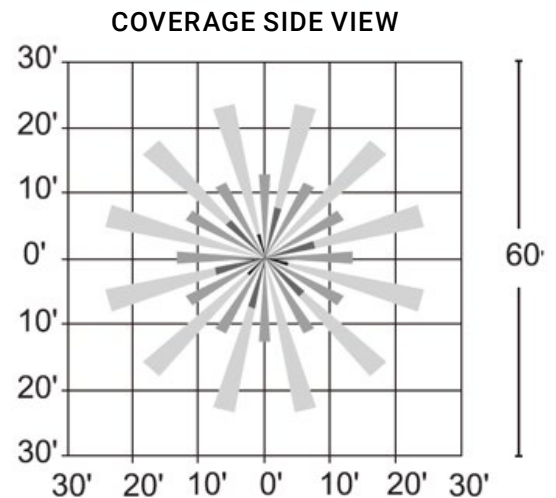
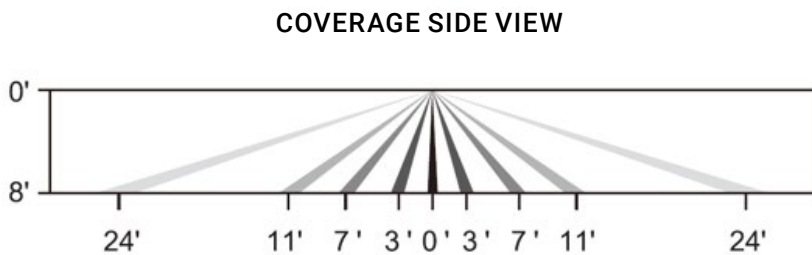


\*\* Required additional purchase for custom configurations

DEFAULT SENSOR SETTINGS					
BRIGHTNESS	SENSITIVITY	HOLD TIME	DAYLIGHT SENSOR	STAND-BY DIM	STAND-BY TIME
100%	100%	5 minutes	Disabled	DIM: 30%	60 minutes

DHFS SENSOR SPECIFICATIONS	
<b>POWER SUPPLY</b>	100-277 VAC, SINGLE PHASE, 60HZ 100-347 VAC, SINGLE PHASE, 60HZ 208/230/480 VAC, PHASE TO PHASE, 60HZ
<b>MAXIMUM LOAD</b>	100-120 VAC, 800W, TUNGSTEN 100-120 VAC, 800W, ELECTRONIC BALLAST/LED DRIVER 230-240 VAC, 300W, ELECTRONIC BALLAST/LED DRIVER 277 VAC, 1200W, ELECTRONIC BALLAST/LED DRIVER 347 VAC, 1200W, ELECTRONIC BALLAST/LED DRIVER 480 VAC, 480W, ELECTRONIC BALLAST/LED DRIVER
<b>HIGH FREQUENCY SYSTEM</b>	5.8GHZ +/-75MHZ
<b>DIM CONTROL OUTPUT</b>	0-10V DC DIMMING, 25MA
<b>DETECTION RADIUS/ANGLE</b>	MAX 8M (26FT) AT 360°
<b>MOUNTING HEIGHT</b>	MAX 6M (20FT)
<b>HUMIDITY</b>	MAX 95% RELATIVE HUMIDITY
<b>OPERATING TEMP.</b>	-40°C TO +70°C
<b>CYCLES</b>	200,000 ON/OFF CYCLES
<b>CERTIFICATIONS</b>	cRUus, FCC
<b>PROGRAMMING</b>	WIRELESS PROGRAMMING USING RC-100 REMOTE

## DHFS DETECTION RANGE & RADIUS/ANGLE



## OTHER MODEL SPECIFICATIONS

DESCRIPTION	VOLTAGE (V)	INPUT POWER (W)	LIGHT OUTPUT (Lm)	EFFICACY (Lm/W)	THD (%)	PF	CCT (K)	CRI
VP4-LED35-B-4K-DIM	120-277	34.72	4479.9	129.03	12.53	0.9483	4000	83.1
VP4-LED35-B-5K-DIM	120-277	35.26	4691	133.04	11/32	0.9584	5000	83.4

### LEGEND

B - 120V-277V

4K - 4000K, 5K - 5000K

DIM - 0-10V Dimming

## ORDERING GUIDE

<b>VP4</b>	<b>LED35</b>			<b>DIM</b>	
<b>WATTS</b>	<b>VOLTAGE</b>	<b>COLOUR TEMP.</b>	<b>DRIVER</b>	<b>CONTROLS</b>	
	B - 120 - 277V	4K - 4000K 5K - 5000K	DIM - 0-10V Dimming	BLANK - No Sensor DHFS* - Dimming High Frequency Sensor (factory installed inside the housing)	

\*DHFS option is not DLC qualified

## ACCESSORIES (SOLD SEPARATELY)

092864 VP4-LED SST CLIPS KIT  
(STAINLESS STEEL CLIPS  
KIT - 10 CLIPS)

052267 - RC-100 MOTION  
SENSOR REMOTE CONTROL