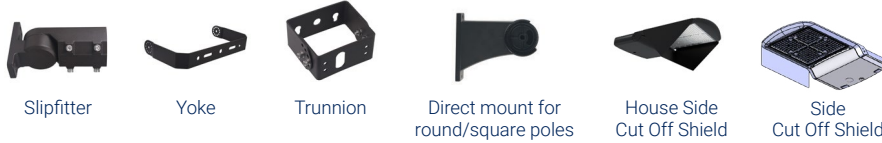




# HELIX1-LED150

Performance Area Light



## IDEAL APPLICATIONS

- Parking Lots
- Schools
- Dealerships
- Commercial Plazas
- Roadway Lighting

## DESCRIPTION:

The HELIX-LED Series are performance area lights available in T2, T3, T4 or T5 optics ideal for a wide range of applications including commercial and retail parking lots, car dealerships, and roadway lighting.

## FEATURES:

- Die cast aluminum housing with polycarbonate lens.
- Tool less entry to access driver/wiring compartment. 1m cab tire cable included for external wiring.
- Universal mounting with options for Slip Fitter, Yoke, Trunnion, Direct Mount for round and square poles. Purchase mounting option separately.
- Fixture can be tilted with any mounting option to direct light where needed.
- Options for lighting controls include 7 PIN receptacle for smart control, twist lock photocell, and motion sensor with remote control.
- 10kV surge protection built into the driver.
- High performance optics designed for zero uplight (U0).
- House cut off (HCO) and Side cut off (SCO) are optional. Housing will come with pre-drilled holes and cut off shield (HCO/SCO) can be installed in the field using supplied hardware.
- Rotating optics in 90° segments to redirect light in any direction (factory installed)

## SPECIFICATIONS\*

HELIX1-LED100

Watts	149 W
Lumens	21318 Lm
Efficacy	143 Lm/W
Voltage	120-277V*, 480V
Colour Temp	3000K/4000K*/5000K*
CRI	70
Dimming	1-10V*, 0-10V Dimming
THD	<15%
PF	0.9
Beam Distribution	T2,T3*,T4,T5
LED Life (L80)	100,000 hours
Housing Finish	Bronze*, Custom Colors
Housing Details	Die Cast Aluminum
Lens Details	Clear Polycarbonate Lens
Mounting	"Slip fitter, Direct mount for round/square poles, Trunnion mount, Yoke mount "
Cable Length	Input Power - 1m Cab Tire Cable (SOOW 3x18 AWG) Dimming - 1m Cab Tire Cable (SJOW 2x18 AWG)
Operating Temp.	-40°C to +50°C
Factory Installed Options	PIR Motion Sensor with Optional Dusk to Dawn Function, Twist Lock Photocell, 7 PIN Receptacle with Shorting Cap ANSI C136. 41-2013 compliant
Options Sold Separately	Slip fitter, Direct mount for round/square poles, Trunnion mount, Yoke mount, Motion sensor remote control
Certifications Logos	cULus, Wet Location, IP65, DLC Premium

\*Above specifications are for 120-277V/5K configuration. See Page 7 for specifications of other configurations



## Rotatable Optics



## COLOUR OPTIONS

### Standard Colours



bronze  
195632 / GS512M17



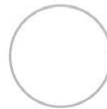
matte black  
103848 / 39/80020



black sandtex  
(textured)  
194288 / P-2128-LT



mirror black  
(shiny)  
103849 / PS111N9



white  
103847 / P-1771-9



dove grey  
000047 / SCP-409



blue  
103865 / SCP-910



red  
103866 / P-6015-8



yellow  
195585 / RAL 1018 (TIGER)



green  
103864 / SCP-651



garden green  
194070 /  
TD01032-F-FILE#116P6

### Metallic Colours



hammertone  
194290 /  
TGIC DCL#5980-0799-MMI



sparkle silver  
194260 / PM211511

### Custom Colours



AMPERAGE DRAW & SURGE PROTECTION							
	CURRENT (A)					SURGE PROTECTION (kV)	
	120V	208V	240V	277V	480V	120-277V	480V
HELIX1-LED	0.88A	0.51A	0.44A	0.38A	0.22A	10kV	10kV

TM-21 ESTIMATED LUMEN MAINTENANCE			
	50,000 Hours	75,000 Hours	100,000 Hours
HELIX1-LED	90.1%	85.5%	81.0%

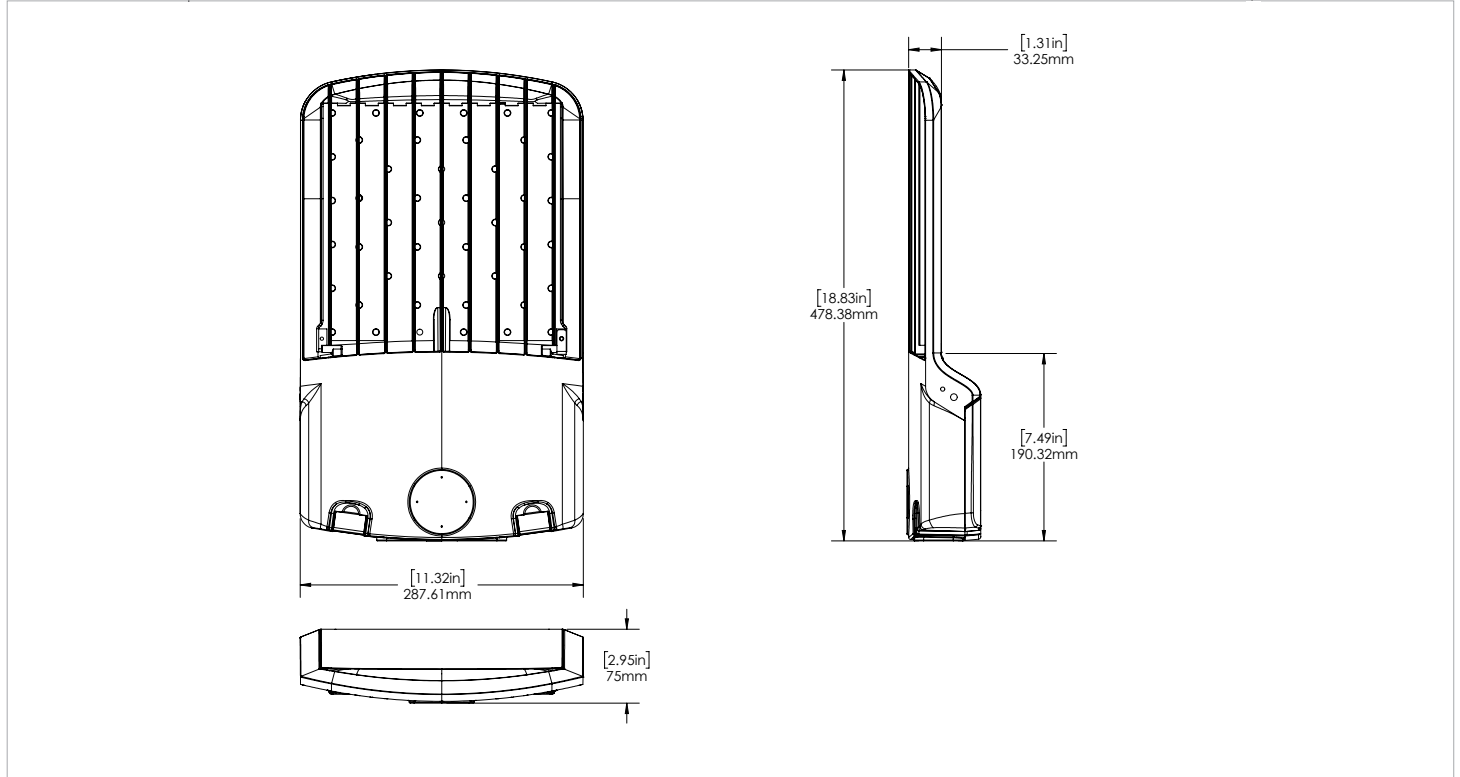
  

EPA (ft <sup>2</sup> )			
	0° Tilt	45° Tilt	90° Tilt
HELIX1-LED	0.52	1.69	2.11

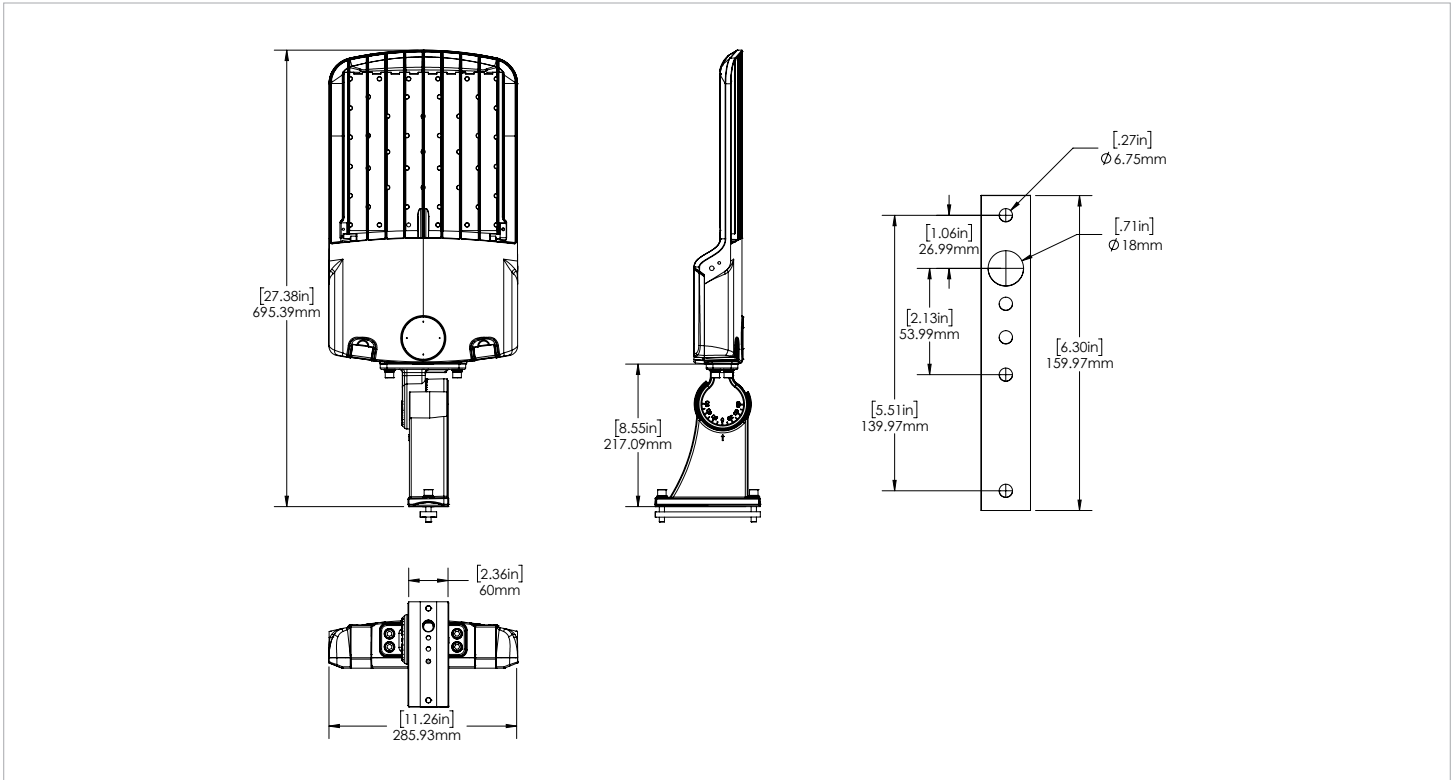
  

WEIGHT (lbs)	
HELIX1-LED	15.2

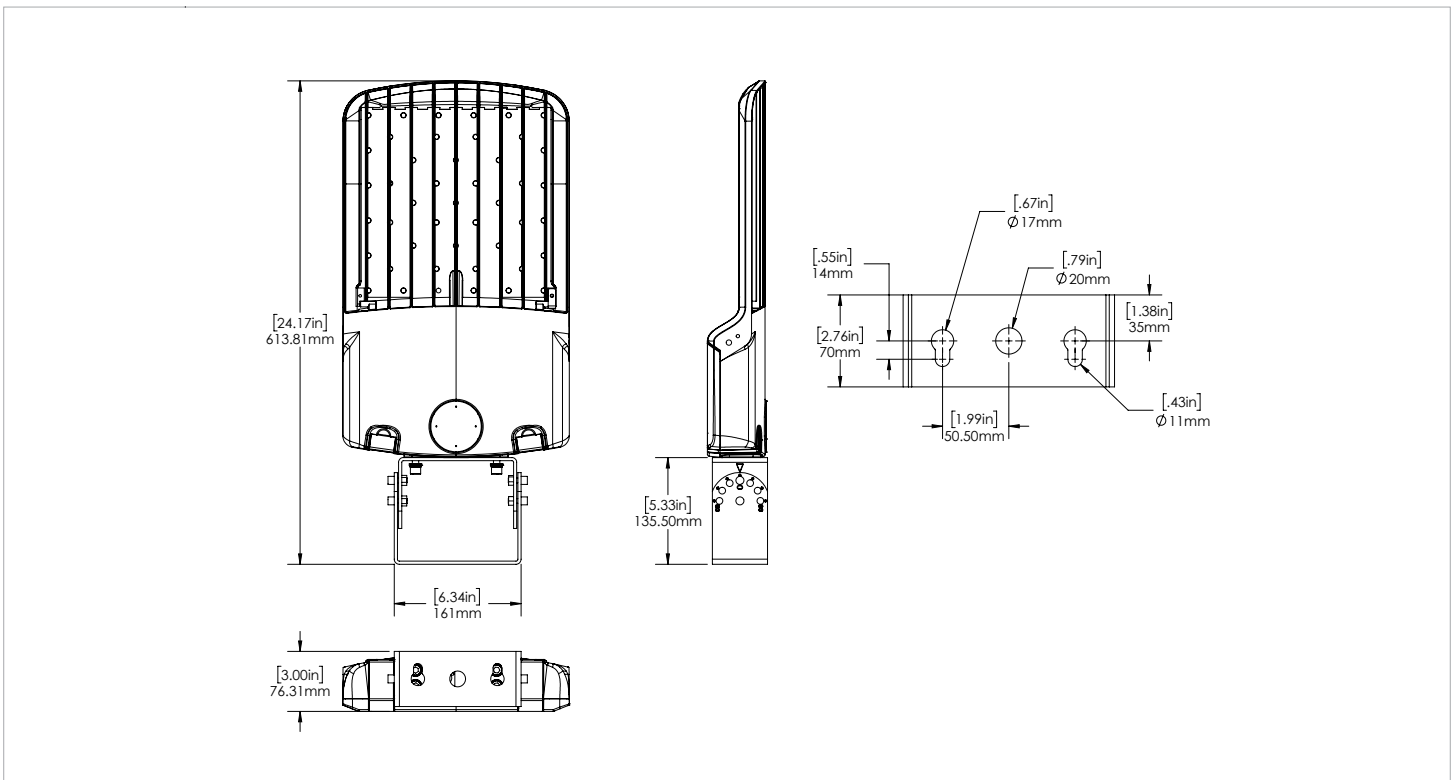
**HELIX 1 NO MOUNT**



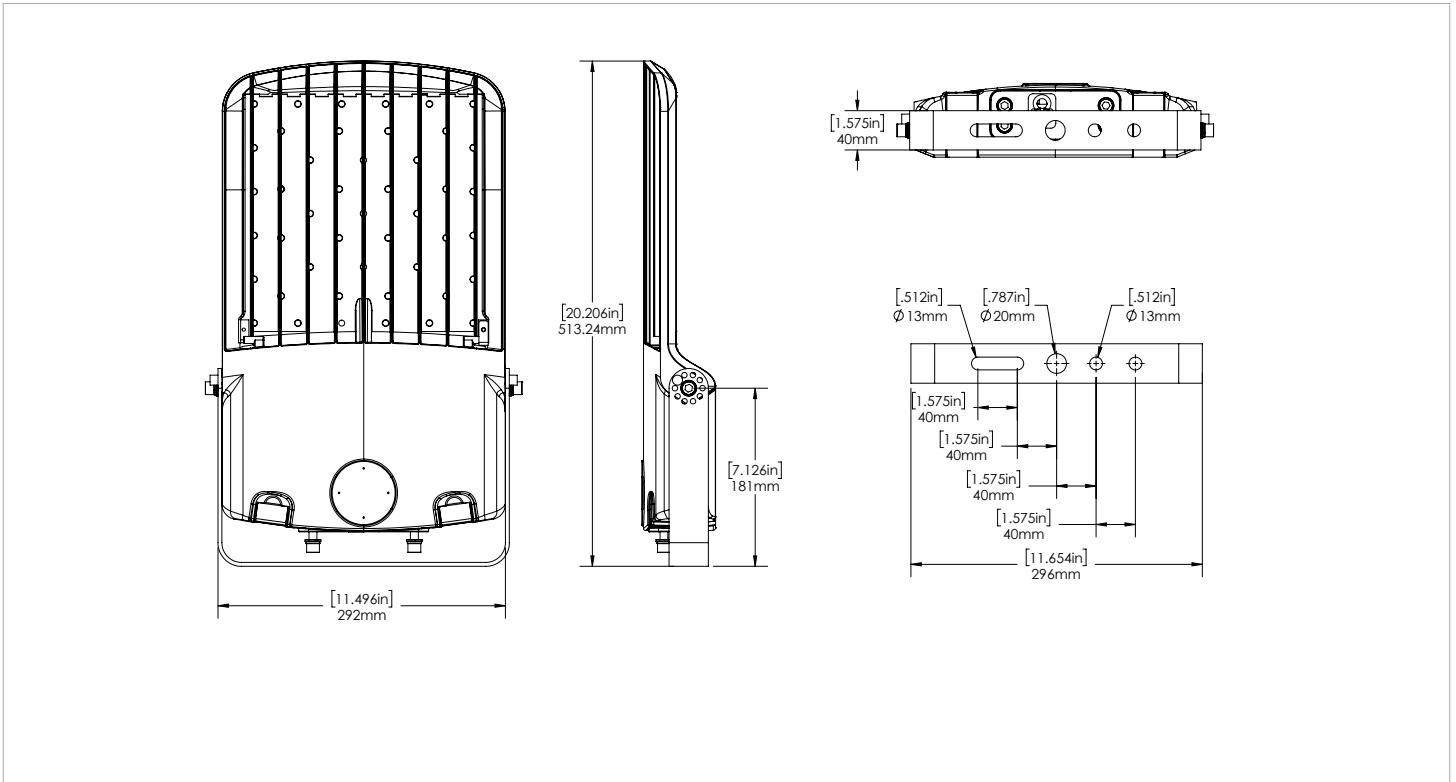
## HELIX 1 DIRECT MOUNT



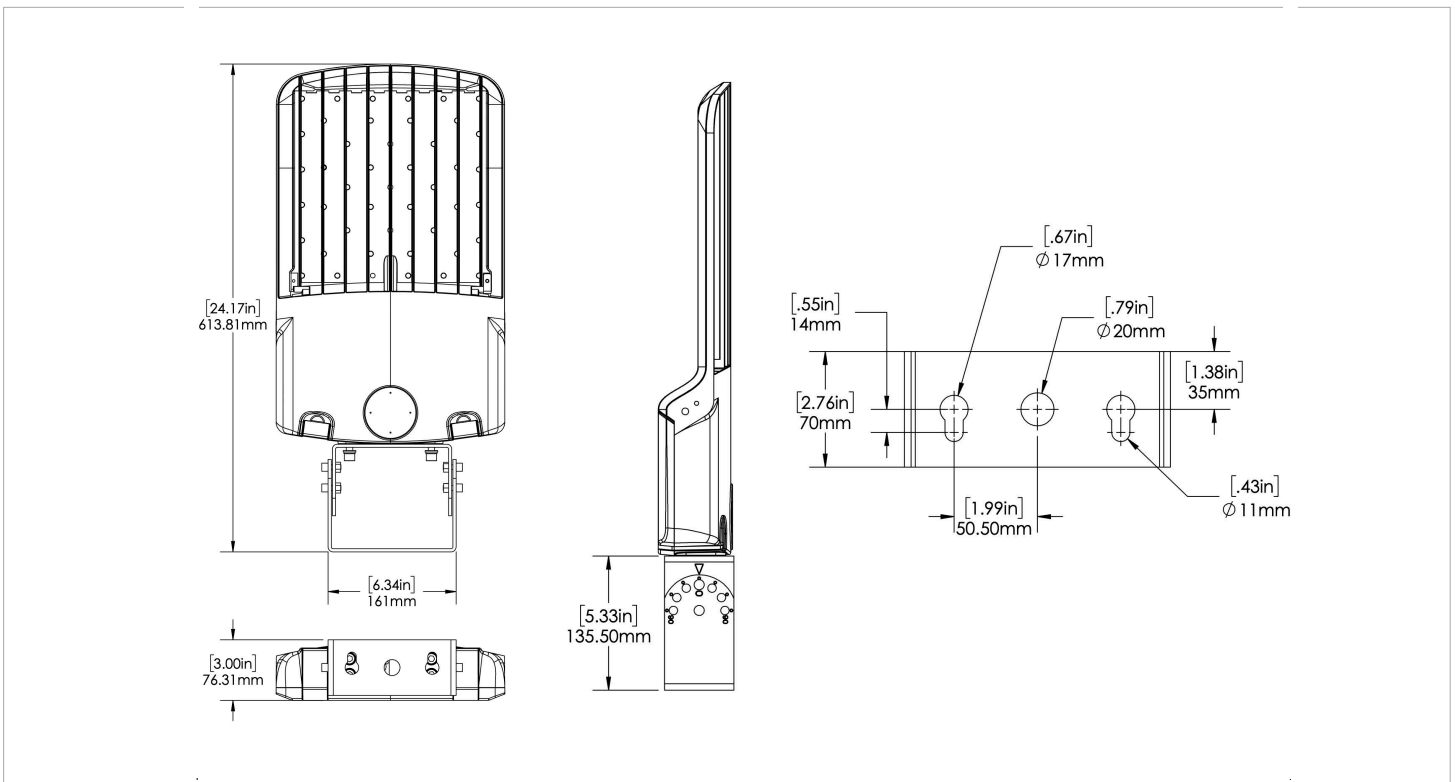
## HELIX 1 TRUNNION



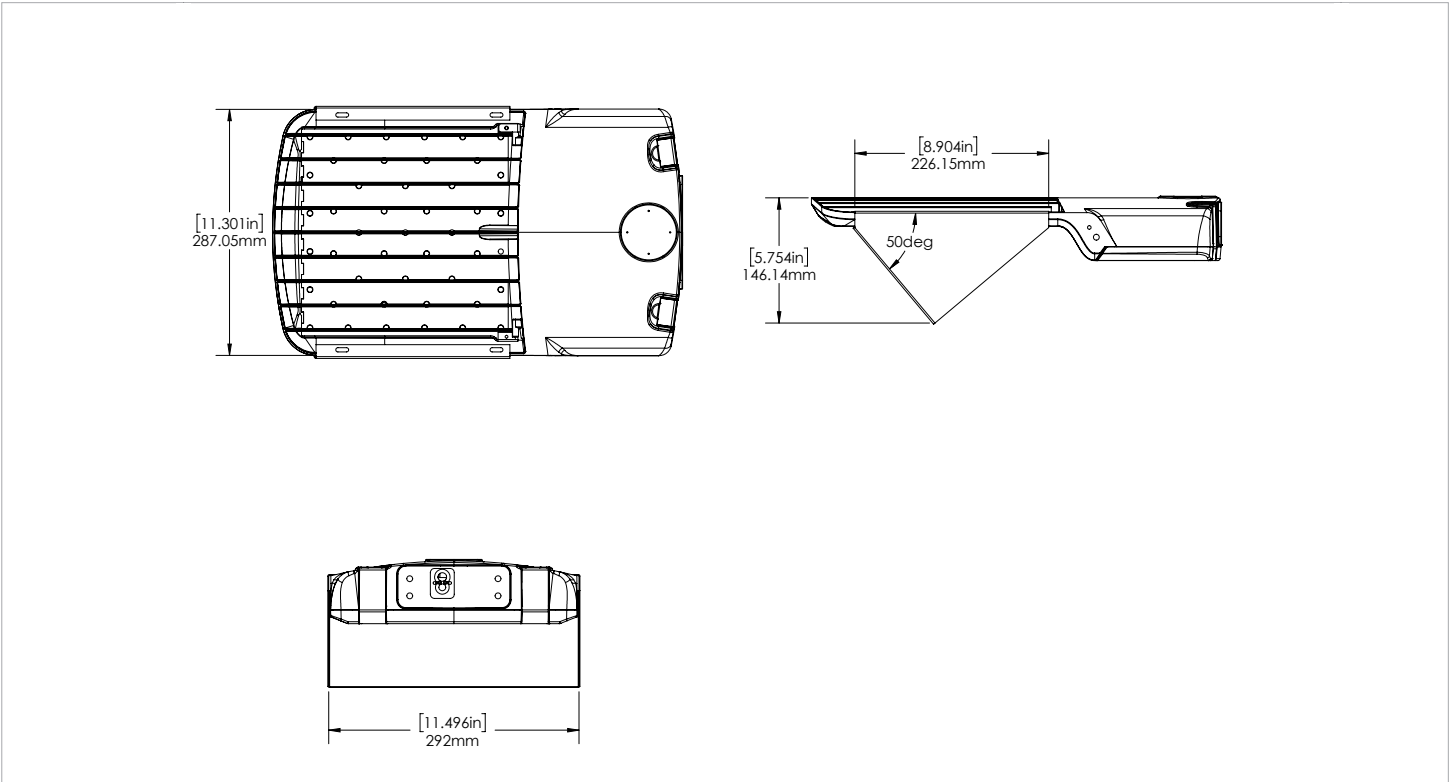
## HELIX 1 YOKE MOUNT



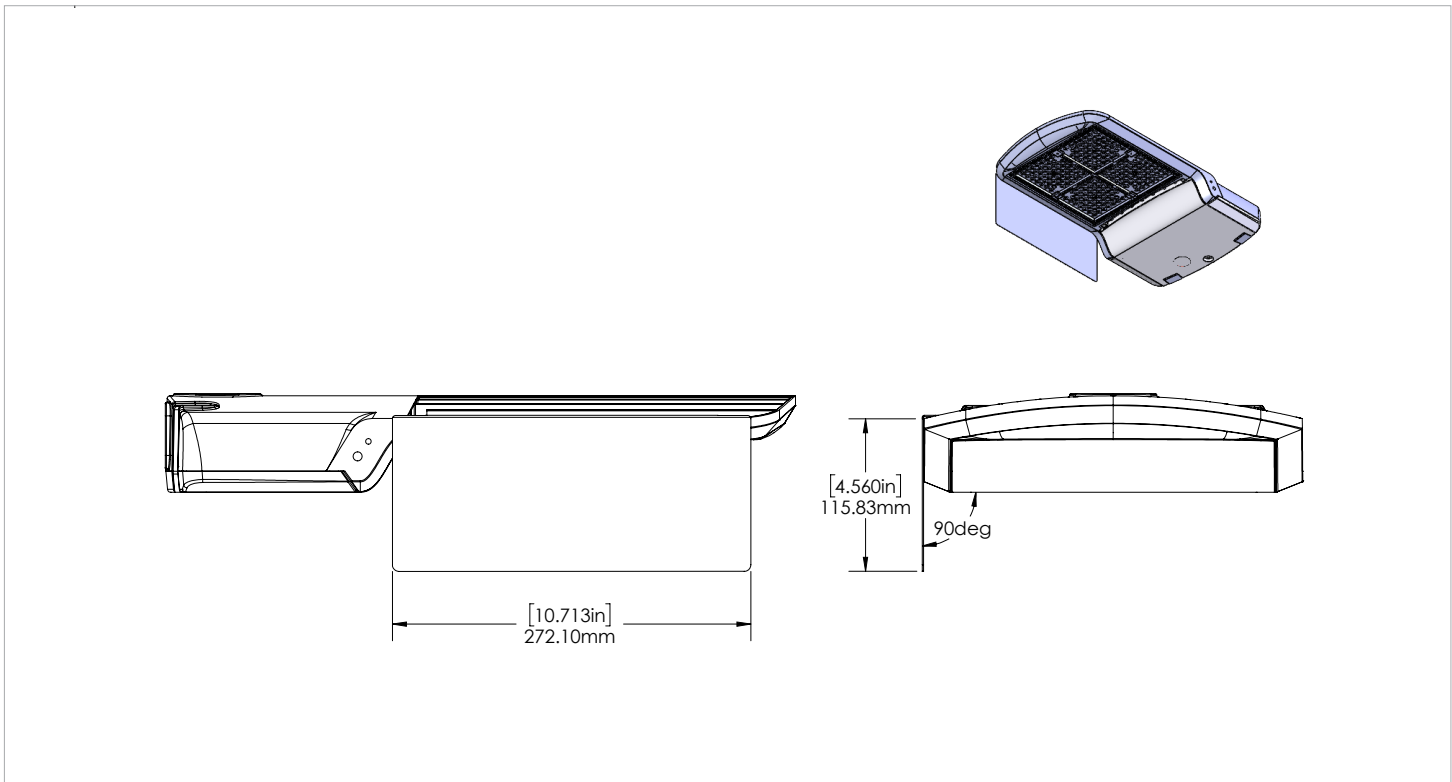
## HELIX 1 TRUNNION



### HELIX 1 WITH HOUSE CUTOFF (HCO)



### HELIX 1 WITH SIDE CUT OFF (SCO)



**SPECIFICATIONS**

Model Number	Voltage (V)	Power (W)	Light Output (lm)	Efficacy (lm/W)	THD (%)	PF	CCT (K)	B-U-G
HELIX1-LED150-B-3K-T2-XXX-DIM-[Blank, DMS, PC, 7PIN]	120-277	149	20949	140.8	15.0	0.900	3000	3-0-3
HELIX1-LED150-B-4K-T2-XXX-DIM-[Blank, DMS, PC, 7PIN]	120-277	149	21094	141.4	15.0	0.900	4000	3-0-3
HELIX1-LED150-B-5K-T2-XXX-DIM-[Blank, DMS, PC, 7PIN]	120-277	149	21382	143.3	15.0	0.900	5000	3-0-3
HELIX1-LED150-L-3K-T2-XXX-DIM-[Blank, DMS, PC, 7PIN]	480	145	21061	144.8	15.0	0.900	3000	3-0-3
HELIX1-LED150-L-4K-T2-XXX-DIM-[Blank, DMS, PC, 7PIN]	480	146	21224	145.6	15.0	0.900	4000	3-0-3
HELIX1-LED150-L-5K-T2-XXX-DIM-[Blank, DMS, PC, 7PIN]	480	146	21548	147.9	15.0	0.900	5000	3-0-3
HELIX1-LED150-B-3K-T3-XXX-DIM-[Blank, DMS, PC, 7PIN]	120-277	149	21180	142.4	15.0	0.900	3000	3-0-3
HELIX1-LED150-B-4K-T3-XXX-DIM-[Blank, DMS, PC, 7PIN]	120-277	149	21318	143.0	15.0	0.900	4000	3-0-3
HELIX1-LED150-B-5K-T3-XXX-DIM-[Blank, DMS, PC, 7PIN]	120-277	149	21594	144.9	15.0	0.900	5000	3-0-3
HELIX1-LED150-L-3K-T3-XXX-DIM-[Blank, DMS, PC, 7PIN]	480	146	21347	146.6	15.0	0.900	3000	3-0-3
HELIX1-LED150-L-4K-T3-XXX-DIM-[Blank, DMS, PC, 7PIN]	480	146	21475	147.2	15.0	0.900	4000	3-0-3
HELIX1-LED150-L-5K-T3-XXX-DIM-[Blank, DMS, PC, 7PIN]	480	146	21730	148.9	15.0	0.900	5000	3-0-3
HELIX1-LED150-B-3K-T4-XXX-DIM-[Blank, DMS, PC, 7PIN]	120-277	150	21117	141.2	15.0	0.900	3000	3-0-4
HELIX1-LED150-B-4K-T4-XXX-DIM-[Blank, DMS, PC, 7PIN]	120-277	149	21204	142.2	15.0	0.900	4000	3-0-4
HELIX1-LED150-B-5K-T4-XXX-DIM-[Blank, DMS, PC, 7PIN]	120-277	149	21378	143.3	15.0	0.900	5000	3-0-4
HELIX1-LED150-L-3K-T4-XXX-DIM-[Blank, DMS, PC, 7PIN]	480	146	21202	145.3	15.0	0.900	3000	3-0-4
HELIX1-LED150-L-4K-T4-XXX-DIM-[Blank, DMS, PC, 7PIN]	480	146	21320	146.1	15.0	0.900	4000	3-0-4
HELIX1-LED150-L-5K-T4-XXX-DIM-[Blank, DMS, PC, 7PIN]	480	146	21555	147.7	15.0	0.900	5000	3-0-4
HELIX1-LED150-B-3K-T5-XXX-DIM-[Blank, DMS, PC, 7PIN]	120-277	149	19695	132.5	15.0	0.900	3000	4-0-5
HELIX1-LED150-B-4K-T5-XXX-DIM-[Blank, DMS, PC, 7PIN]	120-277	148	19804	133.4	15.0	0.900	4000	4-0-5
HELIX1-LED150-B-5K-T5-XXX-DIM-[Blank, DMS, PC, 7PIN]	120-277	148	20022	134.8	15.0	0.900	5000	4-0-5
HELIX1-LED150-L-3K-T5-XXX-DIM-[Blank, DMS, PC, 7PIN]	480	146	19669	134.8	15.0	0.900	3000	4-0-5
HELIX1-LED150-L-4K-T5-XXX-DIM-[Blank, DMS, PC, 7PIN]	480	146	19770	135.3	15.0	0.900	4000	4-0-5
HELIX1-LED150-L-5K-T5-XXX-DIM-[Blank, DMS, PC, 7PIN]	480	146	19972	136.7	15.0	0.900	5000	4-0-5

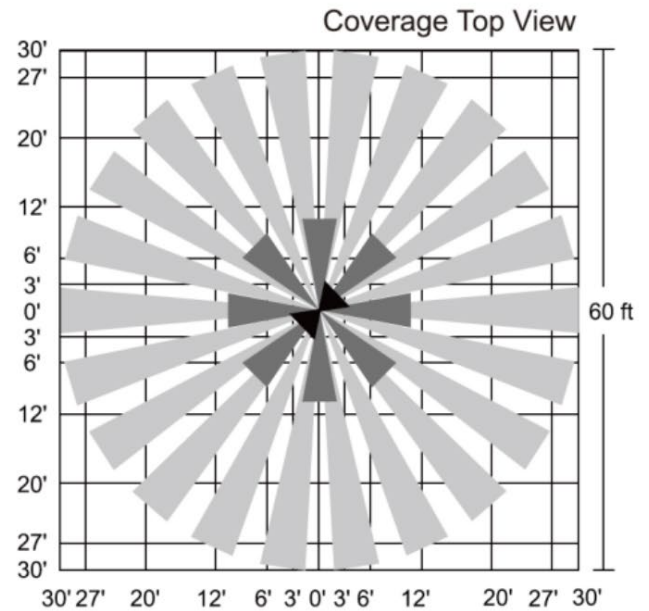
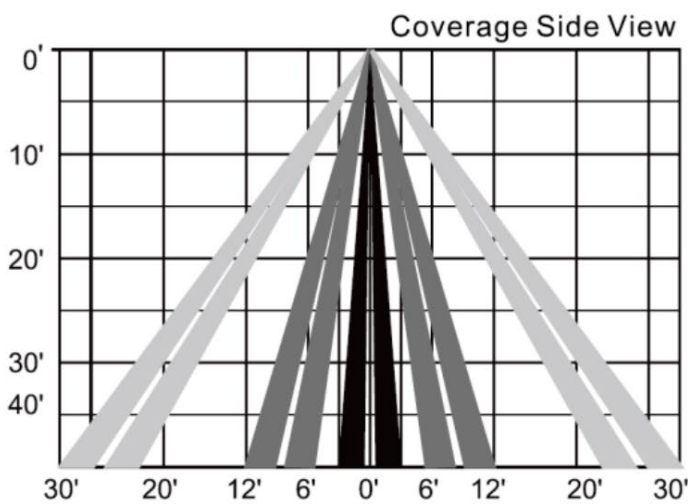
**LEGEND**

B-120-277V, L-480V  
 3K-3000K, 4K-4000K, 5K-5000K  
 T2-Type II, T3-Type III, T4-Type IV, T5-Type V  
 XXX - Housing Finish  
 DIM - 1-10V Dimming for 120-277V, 0-10V Dimming for 480V  
 DMS - Dimming motion Sensor  
 PC - Photocell

# BRI810/BRI820 SENSOR SPECIFICATIONS

DHFS SENSOR SPECIFICATIONS	
POWER SUPPLY	100-277 VAC, SINGLE PHASE, 60HZ
HIGH FREQUENCY SYSTEM	5.8GHZ +/-75MHZ
DIM CONTROL OUTPUT	0-10V DC DIMMING, 25MA
DETECTION RADIUS/ANGLE	MAX 8M (26FT) AT 360°
MOUNTING HEIGHT	PIR: MAX 15M (50FT)
HUMIDITY	MAX 95% RELATIVE HUMIDITY
OPERATING TEMP.	-40°C TO +70°C
CYCLES	200,000 ON/OFF CYCLES
CERTIFICATIONS	CRUUS, FCC
PROGRAMMING	WIRELESS PROGRAMMING USING RC-100 REMOTE

## LIGHTS DETECTION RANGE & RADIUS/ANGLE

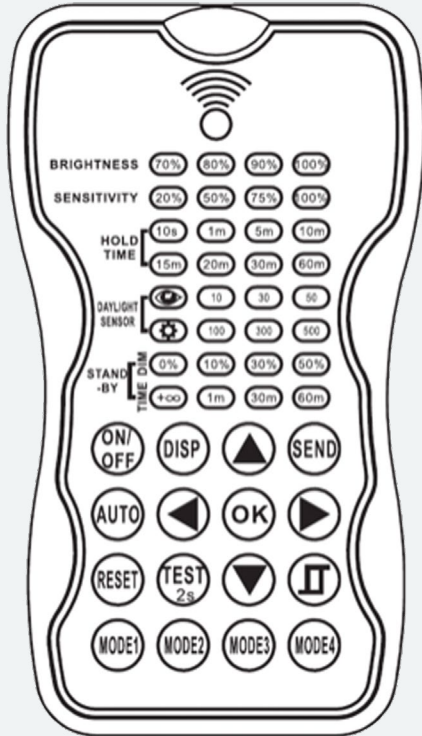


DEFAULT SENSOR SETTINGS					
BRIGHTNESS	SENSITIVITY	HOLDTIME	DAYLIGHT SENSOR	STAND-BY DIM	STAND-BY TIME
100%	100%	5 minutes	Disabled	DIM: 30%	60 minutes



# RC100 REMOTE SPECIFICATIONS

## FEATURES



**BRIGHTNESS:**  
Sets the highest light fixture brightness when motion is detected.

**SENSITIVITY:**  
Sets the sensitivity to which the sensor will detect motion.

**HOLD TIME:**  
The time the light fixture will remain at the brightness setting after it detects motion..

**DAYLIGHT SENSOR:**  
The lux setting that the light fixture will turn on/off. If the ambient lux is more than the defined lux setting, the fixture & sensor function will turn off and remain off until the ambient lux is below the setting. To disable the lux sensor, select the SUN icon. To set the lux to match current room conditions, select the EYE icon.

**STAND-BY DIM:**  
The Dim level that the light fixture will dim down after the Hold Time has expired.

To disable dimming and only have ON/OFF, select the 0% icon.

**STAND-BY TIME:**  
The time the light fixture will remain in the dim down state before it shuts off. To disable the light from shutting off, select the INFINITY icon.

## RC100 REMOTE CONTROL SPECIFICATION

Power Supply	2 x AAA 1.5V Batteries
Communication Protocol	940 nm Infrared Tx & Rx
Communication Range	Up to 15m (50 ft)
Operating Temp.	0 °C to 50°C (32°F to 122°F)
Dimensions	123x70x20.3mm (4.84"x2.76"x0.8")

KEY	FUNCTION
-----	----------



Light fixture will be set to permanently stay ON or OFF. Must press AUTO button to go back to sensor mode.



Displays the current remote-control parameters.



Navigate through the remote-control parameters and sets them to the desired settings.

NOTE: These settings are not yet set on the light fixture sensor. The remote needs to be pointed at the light fixture sensor, and the SEND button needs to be pushed.



Uploads the selected remote-control parameters to the light fixture sensor. The light fixture will turn on and off as confirmation the new settings have been set.



Light fixture sensor is set to sensor mode with the last sent parameters. This must be pressed to exit the ON/OFF setting.



Resets the light fixture sensor parameters. Default Settings

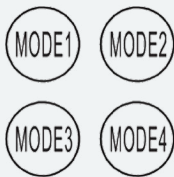
BRIGHTNESS	SENSITIVITY	HOLDTIME	DAYLIGHT SENSOR	STAND-BY DIM	STAND-BY TIME
100%	100%	5 minutes	Disabled	DIM: 30%	60 minutes



For Testing sensitivity only. The Standby period and daylight sensor are disabled in this mode. Must press AUTO button to go back to sensor mode.



Photocell Function: If this function is turned on, it is set to a specific lux setting (10, 30, 50, 100, 300, 500). When the lux level exceeds this setting, the sensor will wait and monitor for 1 minute to confirm the lux level is not temporary. After 1 minute, the lights will turn off even when the space is occupied. When the lux level goes below this setting, the light will turn on and remain on without any detected motion. This feature is disabled by default and is intended for outdoor use only.



Four modes are available with pre-set parameters. Any mode can be customized by following the steps below:

1. Select mode 1, 2, 3, or 4.
2. press the ARROW BUTTONS to choose the new parameters.
3. Select OK to confirm the new settings on that mode.

NOTE: These settings are not yet set on the light fixture sensor. The remote needs to be pointed at the light fixture sensor, and the SEND button needs to be pushed.

NOTE: Modes 2, 3, and 4 all have the same default settings. See instructions to change defaults.

MODE DEFAULT SETTINGS	BRIGHTNESS	SENSITIVITY	HOLD TIME	DAYLIGHT SENSOR	STAND-BY DIM	STAND-BY TIME
	100%	100%	5 minutes	Disabled	DIM: 30%	Disabled

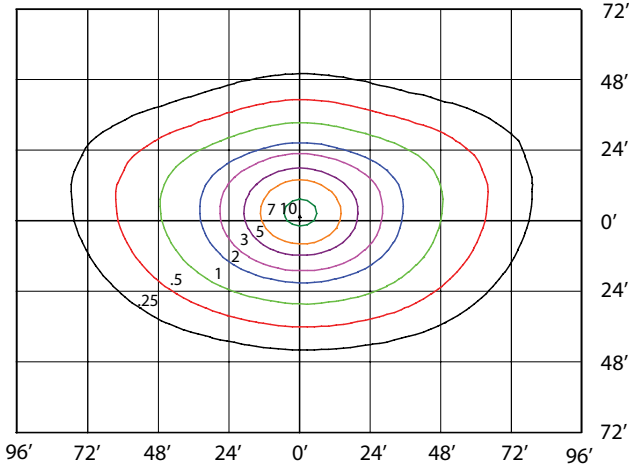


70%      20%      10 seconds      Disabled      0%      Disabled



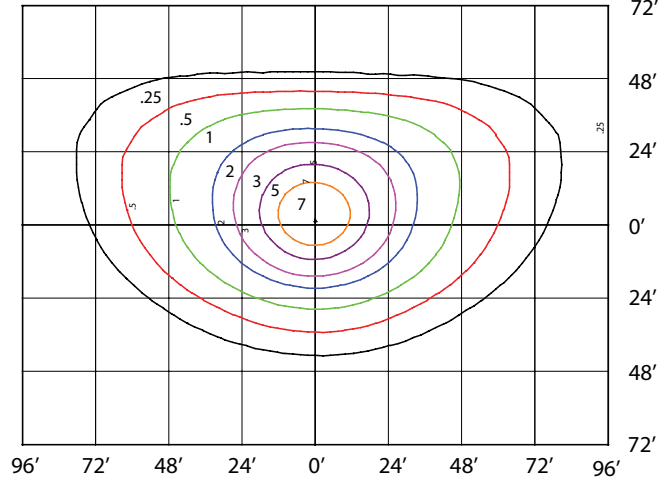
HELIX1-LED150-B-4K-T2-DIM  
MOUNTED AT 24 FEET

Lumens 20949.4      Maximum Calculated Value 10.94 Fc



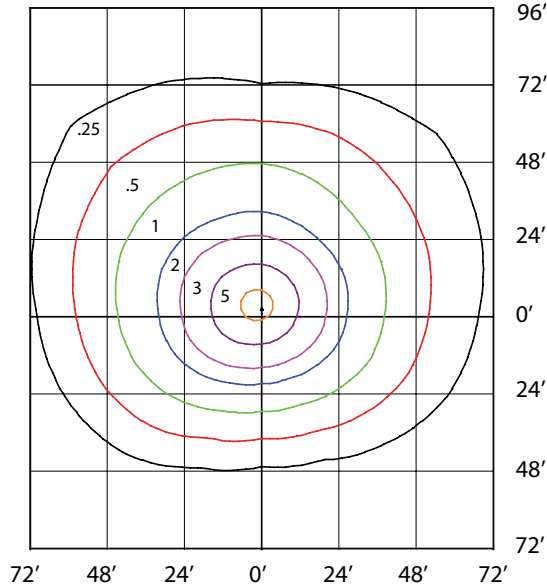
HELIX1-LED150-B-4K-T3-DIM  
MOUNTED AT 24 FEET

Lumens 21179.5      Maximum Calculated Value 9.82 Fc



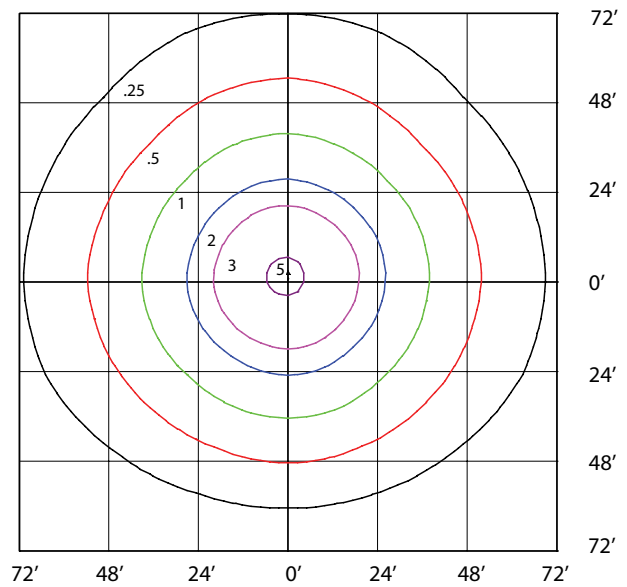
HELIX1-LED150-B-4K-T4-DIM  
MOUNTED AT 24 FEET

Lumens 21117.3      Maximum Calculated Value 7.46 Fc



HELIX1-LED150-B-4K-T5-DIM  
MOUNTED AT 24 FEET

Lumens 19694.6      Maximum Calculated Value 5.18 Fc



## ORDERING GUIDE:

HELIX1	LED150	DIM						
Fixture	Wattage	Voltage	Color Temp.	Beam	Options	Finish	Dimming	Controls
	LED150	B- 120-277V*	3K - 3000K	T2 - Type 2	BLANK	BRZ - Bronze*	DIM - 0-10V Dimming	BLANK
		L - 480V	4K - 4000K*	T3 - Type 3	HCO - House Cutoff**	CC - Custom Color		DMS - Dimming PIR Motion Sensor
			5K - 5000K*	T4 - Type 4	SCO - Side Cutoff**			7PIN - 7 PIN Receptacle For Smart Control Systems
				T5 - Type 5				PC - Twist Lock
				T3R - Type III Distribution Rotated Right				
				T3L - Type III Distribution Rotated Left				
				T4R - Type IV Distribution Rotated Right				
				T4L - Type IV Distribution Rotated Left				
				T2R - Type II Distribution Rotated Right				
				T2L - Type II Distribution Rotated Left				

\* Standard Configuration

\*\*On-site assembly required for the installation of HCO/SCO.  
Housing will come with pre-drilled holes.

Note: HCO/SCO with hardware will be shipped in separate packaging  
At least one remote per order is needed with DMS control

### Ordering Guide For Accessories

Check the items that you wish to order:

- 052000 HELIX1 YOKE MOUNT BRZ
- 052002 HELIX1/2 DIRECT MOUNT F/RND AND SQR POLE BRZ
- 052003 HELIX1/2 TRUNNION MOUNT BRZ
- 052004 HELIX1/2 SLIP FITTER BRZ
- 052267 RC-100 MOTION SENSOR REMOTE CONTROL