



LND/LNUD-LED

Linear Direct/Indirect



IDEAL APPLICATIONS

- Hallways
- Boardrooms
- Offices
- Reception Areas
- Common Areas in Condominiums
- Retail Applications

DESCRIPTION:

The LND/LNUD-LED Series are linear direct/indirect architectural fixtures that create a sleek, modern look for commercial spaces. These fixtures are versatile with features such as colour selection, multiple mounting options and connector accessories which facilitate lighting set ups in different shapes and configurations.

FEATURES:

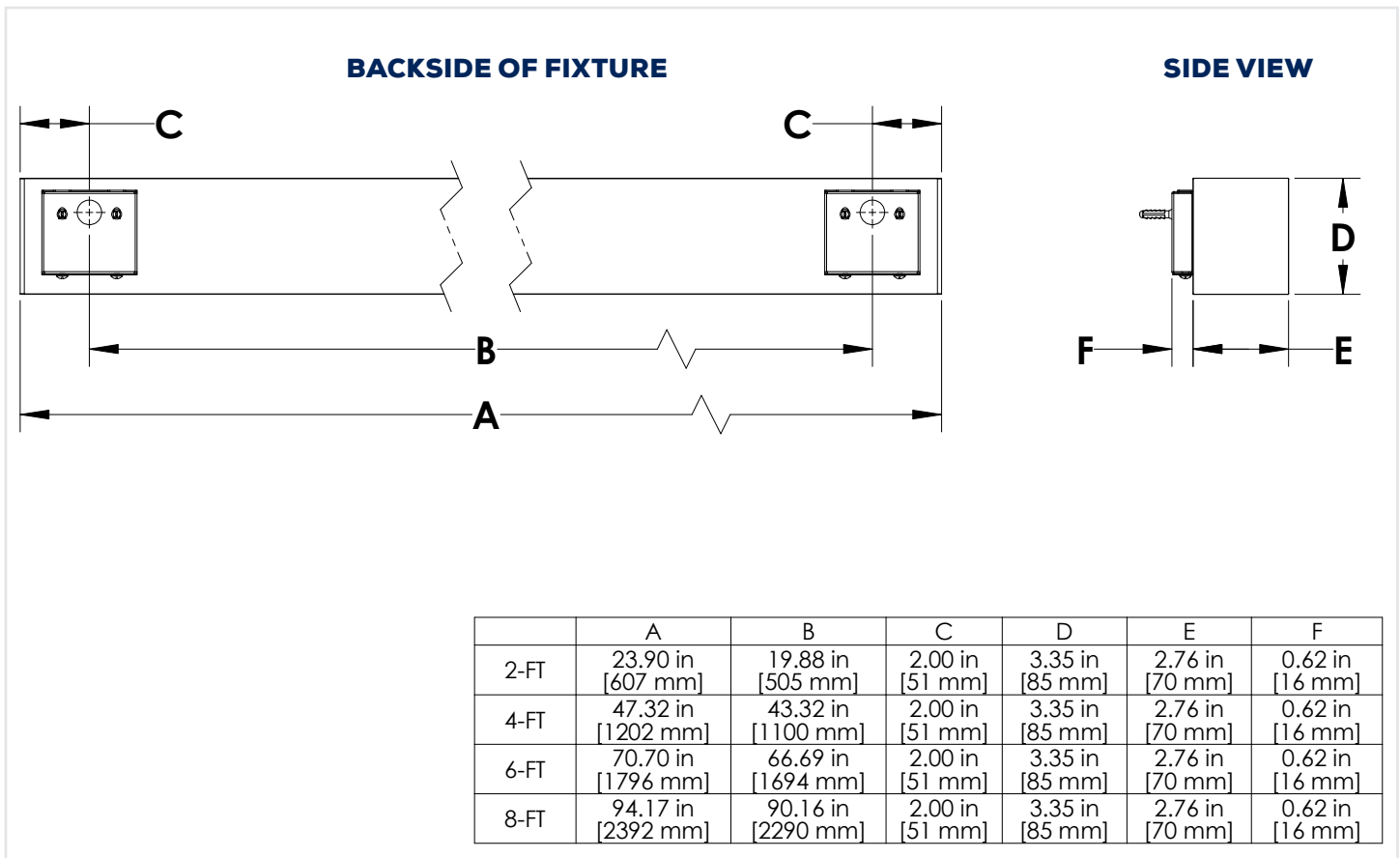
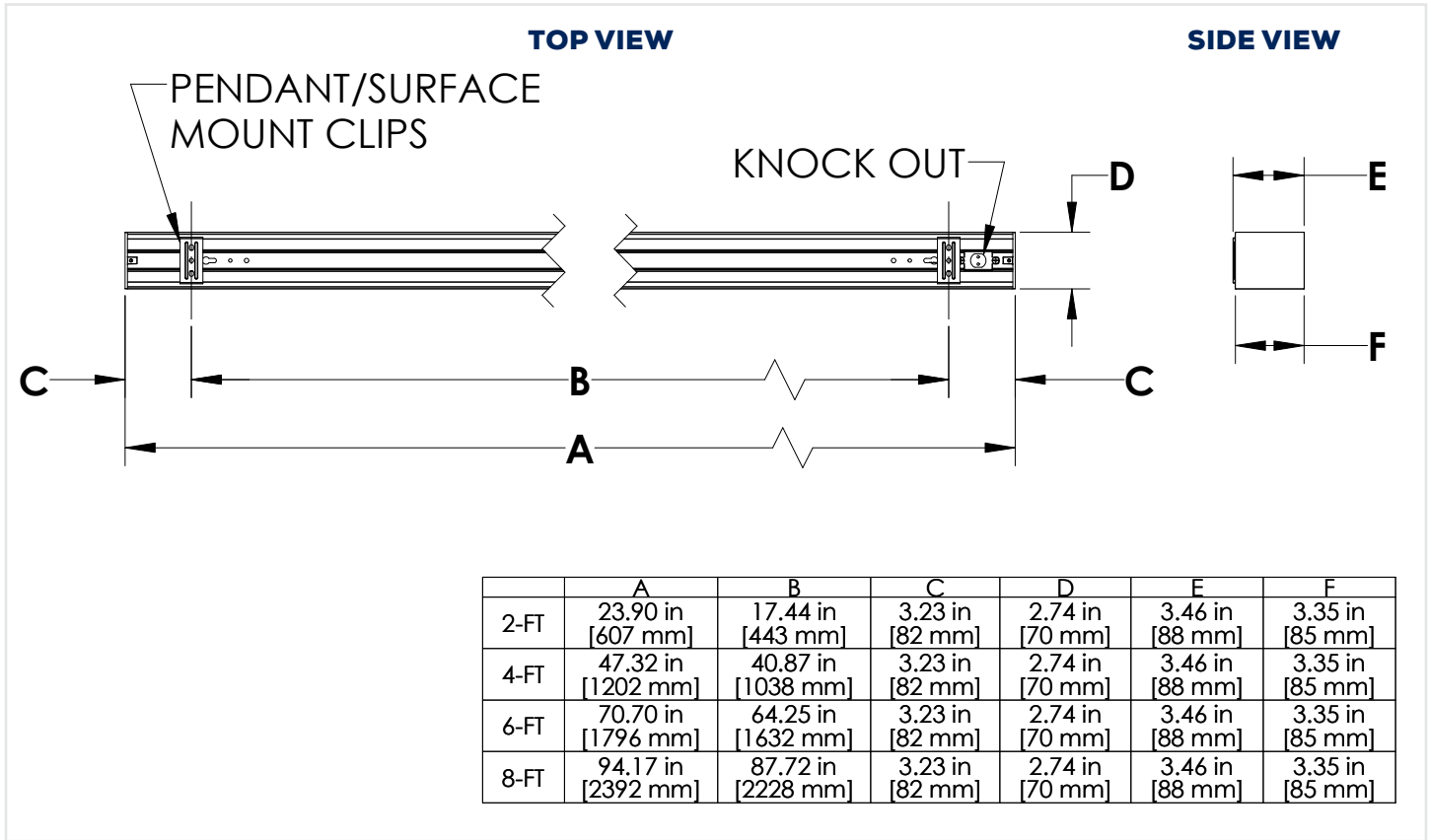
- Sleek linear fixtures for direct/indirect lighting.
- Available in 2', 4', 6', 8' lengths
- Fixtures can be connected in straight runs or in different configurations using connector accessories. Examples include Octagon, Square, Rectangle, Cross, T and Y shape.
- The fixtures can be connected in the linear configuration through the bracket by simply removing the end caps and connecting the fixtures together.
- Connectors include LED boards in the downward orientation to provide seamless continued illumination in any pattern.
- The direct lighting from the fixtures have a beam angle distribution of 90 degrees.
- Ceiling mount is standard, wall mount and recessed mount are factory installed, suspension mount option is sold separately.
- Can do runs of up to 64' with one power supply.
- Fixtures are colour selectable allowing you to choose between 3000K/4000K/5000K at the time of installation.
- 0-10V dimming (5-100%) is standard.
- TRIAC Dimming is optional.
- Standard finish is white or black, other custom colors are available.

SPECIFICATIONS	LND/LNUD24 -LED20	LND/LNUD48 -LED40	LND/LNUD72 -LED60	LND/LNUD96 -LED80
Orientation	Down light (LND) or Updown light (LNUD)			
Length	2'	4'	6'	8'
Watts	20	40	60	80
Lumens (LND)	2,420 Lm	4,801 Lm	7,293 Lm	9,733 Lm
Lumens (LNUD)	2,600 Lm	5,186 Lm	7,872 Lm	10,491 Lm
Efficacy (Lm/W)	121	120.8	121.6	121.7
Voltage	120 - 277V			
Color Temp.	VK - Colour Selectable 3000K/4000K/5000K			
Finish	White*, Black*, Custom Colour			
Housing Details	Extruded Aluminum			
Mounting	Ceiling/Surface Mount*, Suspension Mount, Wall Mount, Recessed Mount			
THD	15%	7%	15%	
PF	0.9	0.95	0.9	
LED Life (L77)	100,000 hours			
Operating Temp.	-30°C to +40°C			
CRI	84			
Dimming	0-10V Dimming (5%-100%)*, TRIAC Dimming			
Certifications	UL, Damp Location, 5 Year Warranty, DLC 5.1			
Factory Installed Options	Battery Backup, Wall Mount, Recessed Mount			
Options Sold Separately	65" Suspension mount kit, Y config Suspension mount kit, 90 L connector, T connector, X connector, 120 L connector, Y connector			

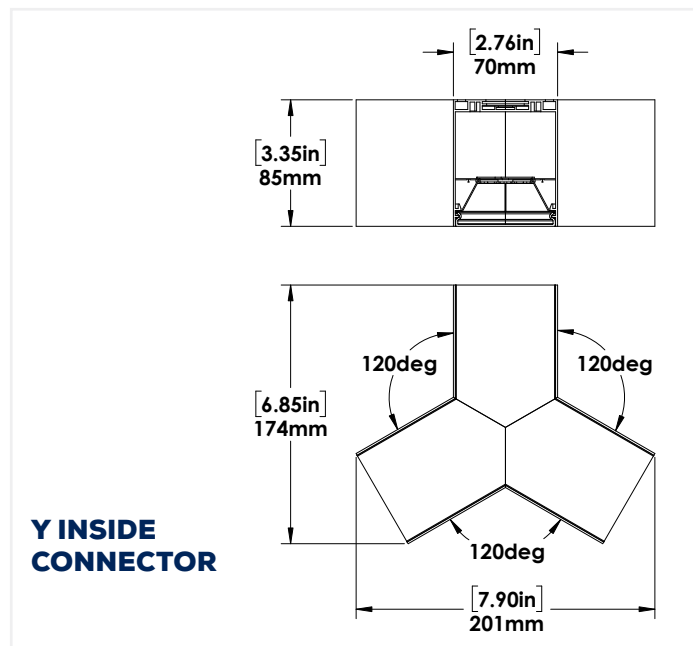
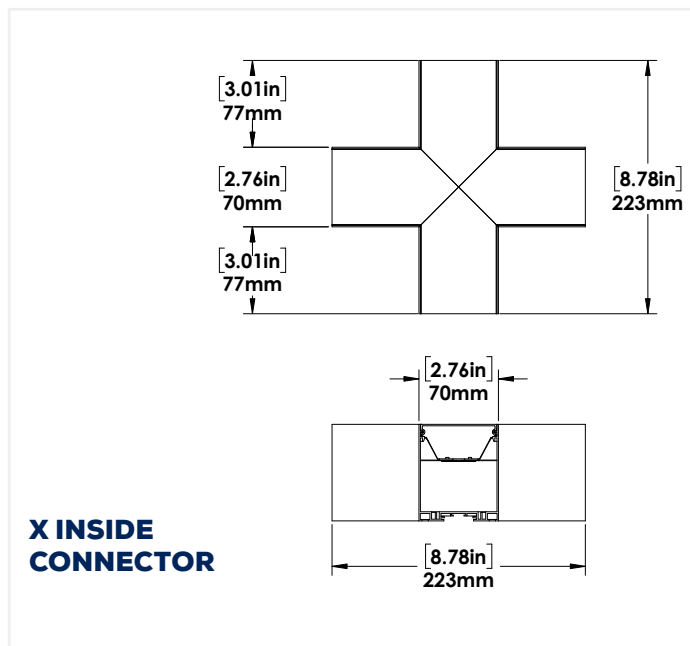
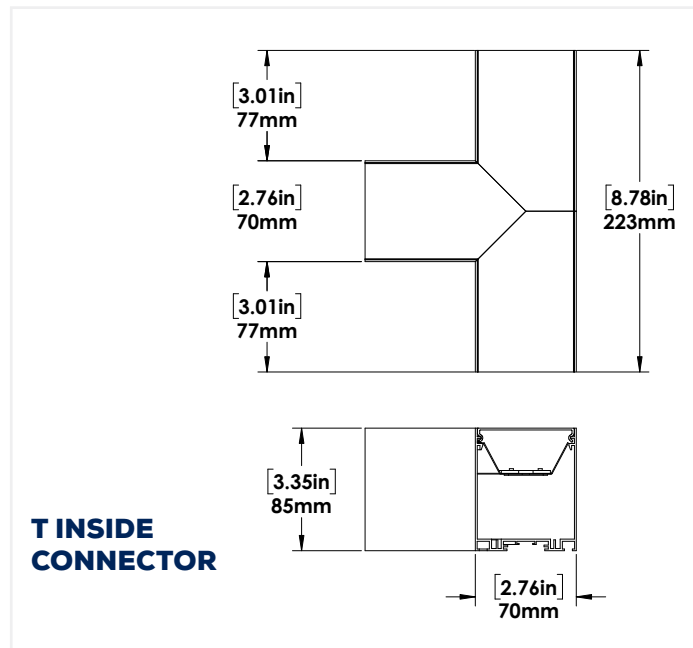
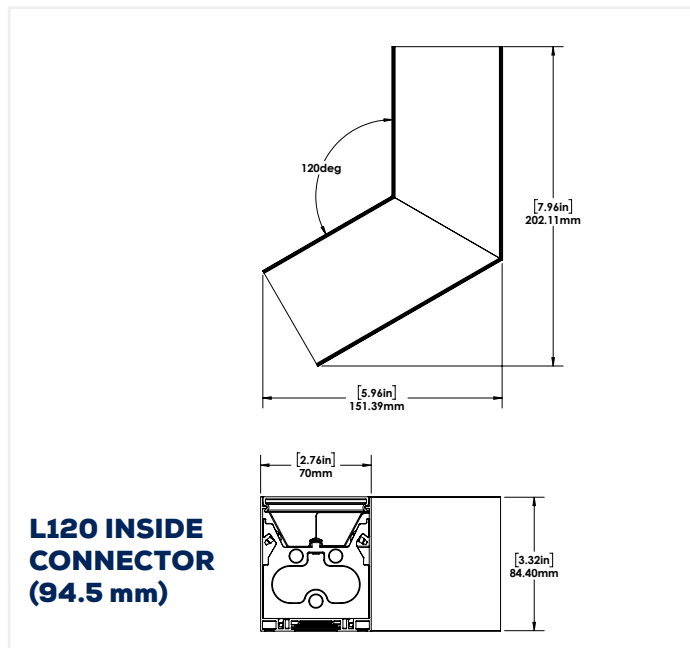
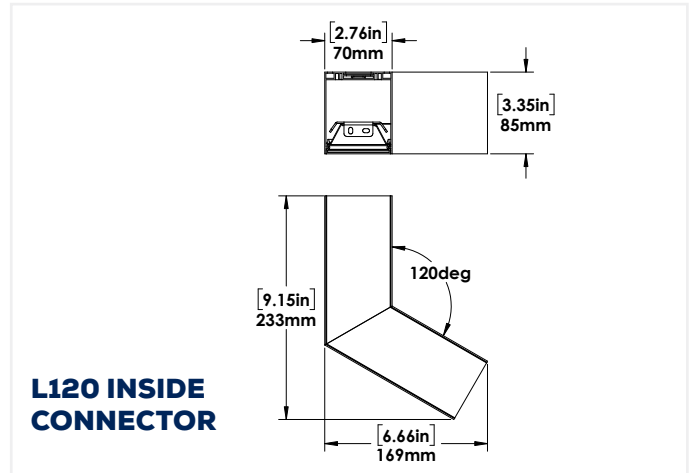
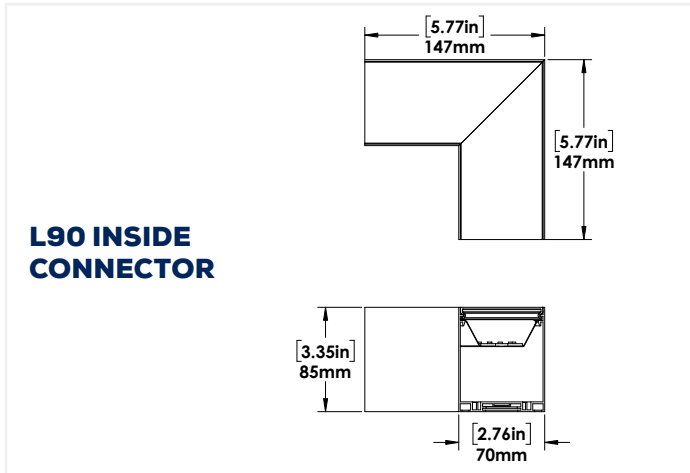
* Standard Configuration



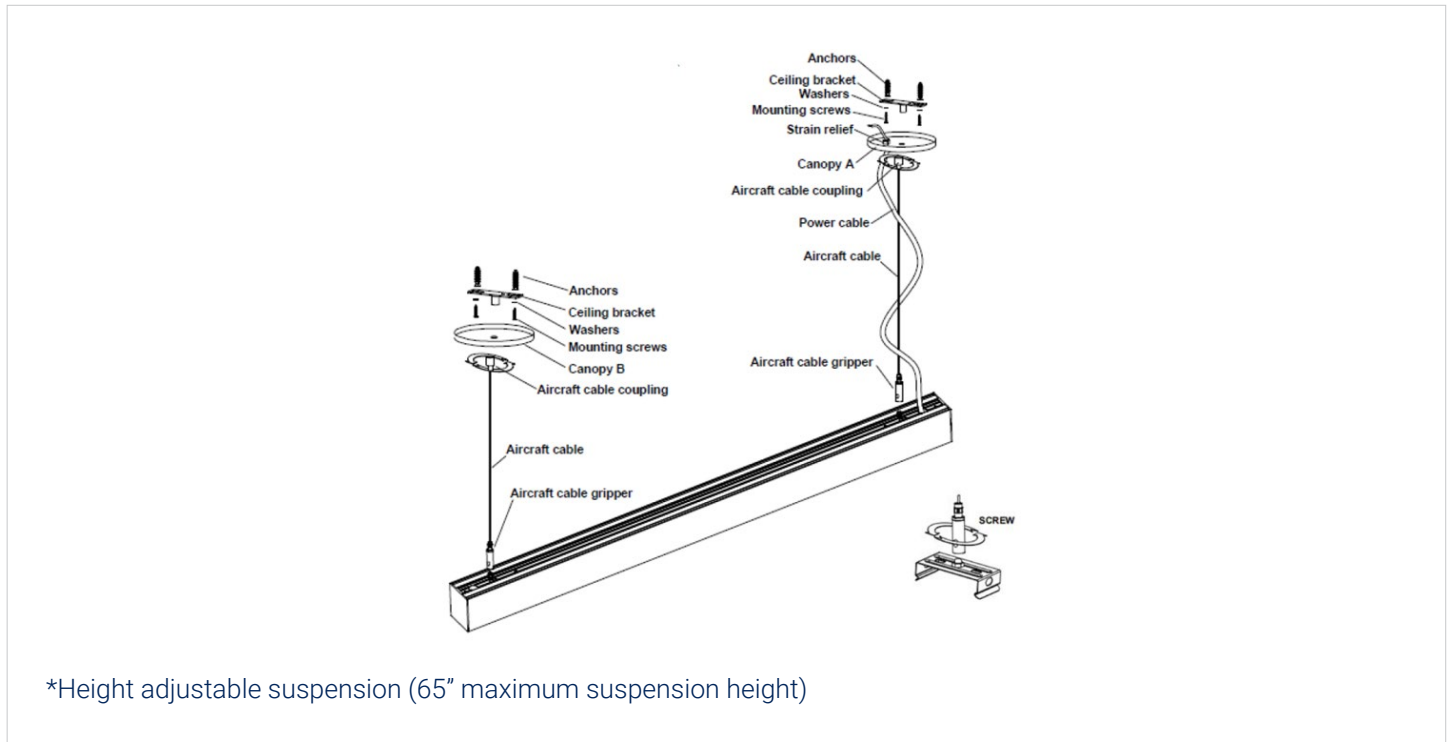
DIMENSIONS



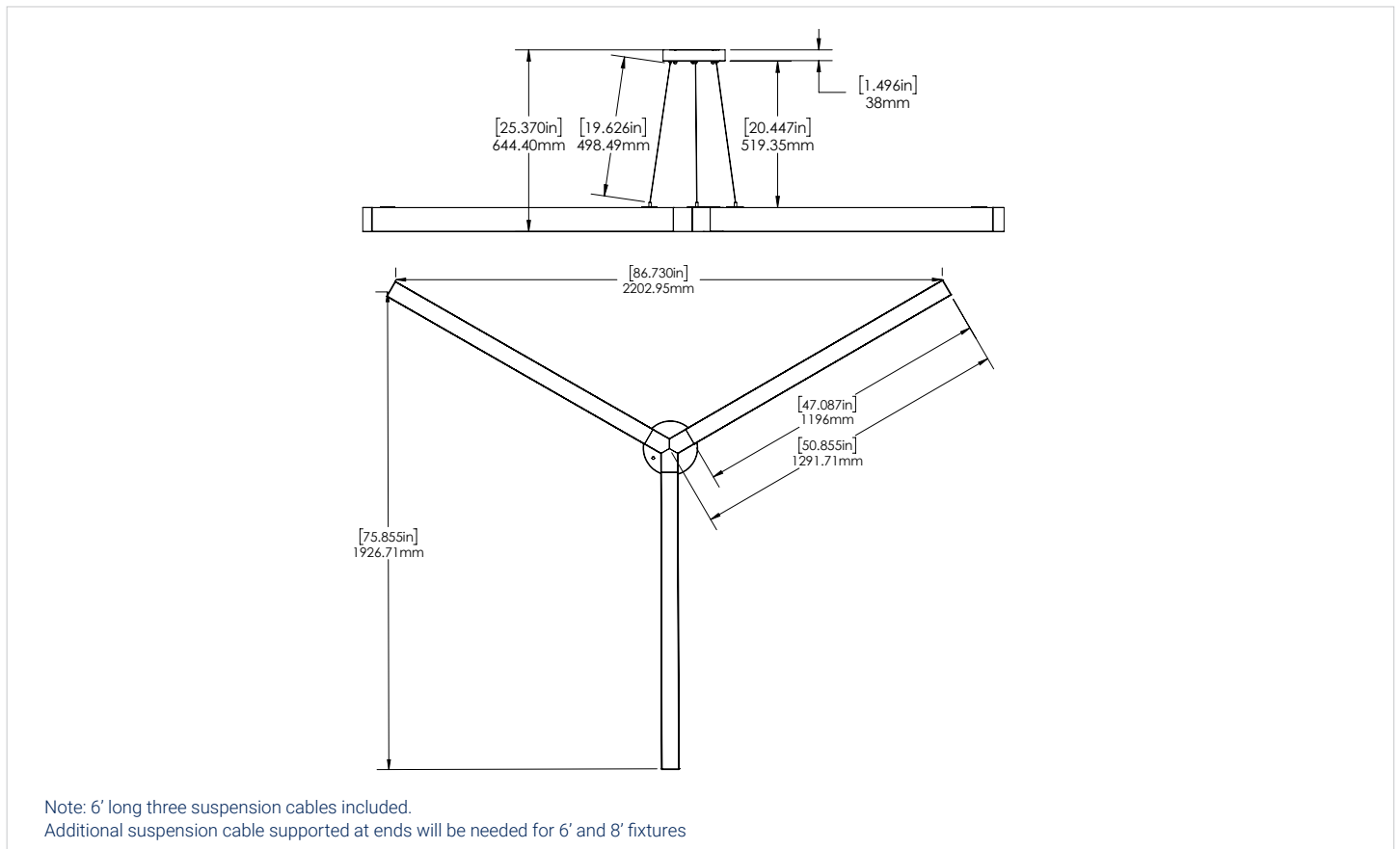
ACCESSORIES DIMENSIONS



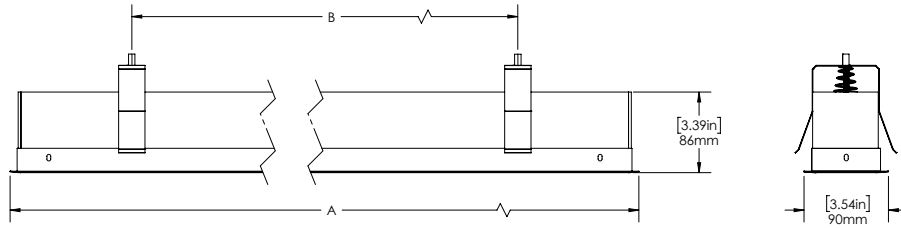
SUSPENSION MOUNT KIT



Y CONFIGURATION SUSPENSION MOUNT KIT



RECESSED MOUNT KIT



	A	B
LND24	[24.71in] 627.63mm	[14.52in] 368.80mm
LND48	[48.13in] 1222.62mm	[37.94in] 963.67mm
LND72	[71.51in] 1816.35mm	[61.32in] 1557.52mm
LND96	[94.98in] 2412.49mm	[84.79in] 2153.66mm

AMPERAGE DRAW & SURGE PROTECTION

	CURRENT (A)					SURGE PROTECTION (kV)	
	120V	208V	240V	277V	347V	120-277V	120-347V
LND/LNUD24-LED20	0.18A	0.11A	0.09A	0.08A	0.07A	2.5kV	2kV
LND/LNUD48-LED40	0.35A	0.21A	0.18A	0.16A	0.13A	2kV	
LND/LNUD72-LED60	0.53A	0.31A	0.27A	0.23A	0.19A	2kV	
LND/LNUD96-LED80	0.7A	0.41A	0.35A	0.31A	0.25A	2kV	

WEIGHT (LBS)

LND/LNUD24-LED20	3.5
LND/LNUD48-LED40	5.5
LND/LNUD72-LED60	8.5
LND/LNUD96-LED80	10

LUMEN MAINTENANCE

	50,000 HRS	75,000 HRS	100,000 HRS
LND/LNUD24-LED20 LND/LNUD48-LED40 LND/LNUD72-LED60 LND/LNUD96-LED80	87.9%	82.3%	77.1%

MAX CONNECTED IN SERIES

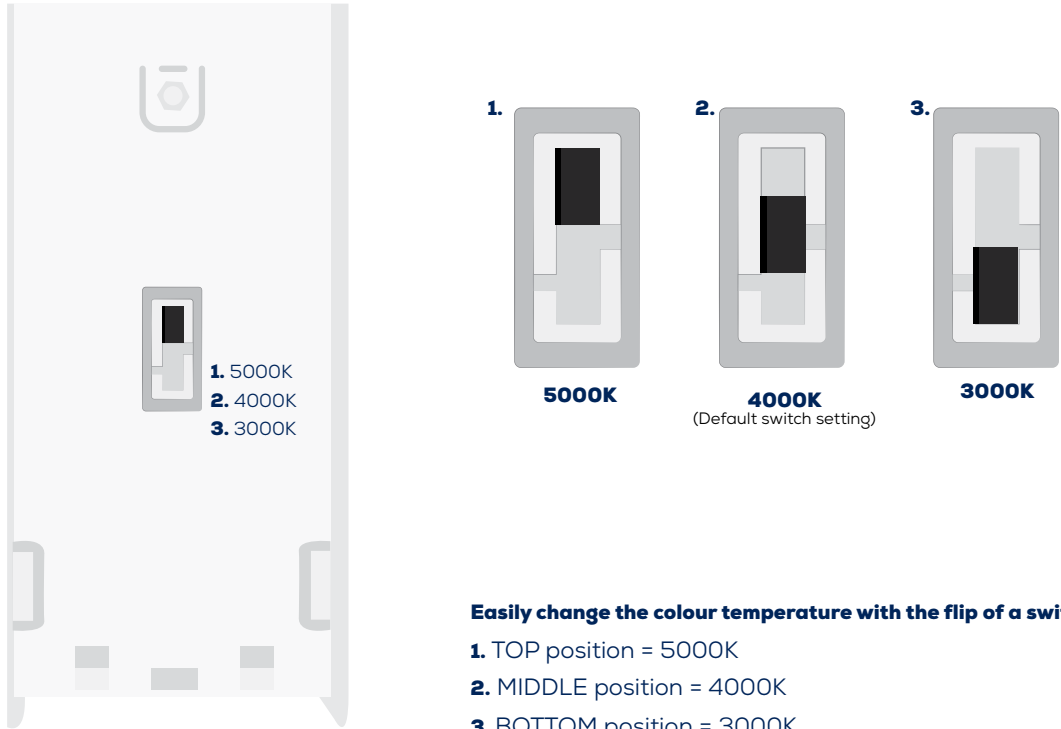
FIXTURE	MAX
LND/LNUD24-LED20	30
LND/LNUD48-LED40	15
LND/LNUD72-LED60	10
LND/LNUD96-LED80	8

LND SPECIFICATIONS							
Model Number	Voltage (V)	Power (W)	Light Output (lm)	Efficacy (lm/W)	THD (%)	PF	CCT (K)
LND24-LED20-B-VK-XXX-DIM	120-277	20	2420	121.0	>15	0.900	3K/4K/5K
LND48-LED40-B-VK-XXX-DIM	120-277	40	4799	120.5	7.1	0.939	3K/4K/5K
LND72-LED60-B-VK-XXX-DIM	120-277	60	7331	121.3	7.0	0.939	3K/4K/5K
LND96-LED80-B-VK-XXX-DIM	120-277	80	9767	121.4	7.1	0.939	3K/4K/5K

LNUD SPECIFICATIONS									
Model Number	Voltage (V)	Power (W)	Light Output (lm)	Uplight Output* (lm)	Downlight Output* (lm)	Efficacy (lm/W)	THD (%)	PF	CCT (K)
LNUD24-LED20-B-VK-XXX-DIM	120-277	20	2600	650	1950	130.0	>15	0.900	3K/4K/5K
LNUD48-LED40-B-VK-XXX-DIM	120-277	40	5186	1297	3890	130.7	6.8	0.956	3K/4K/5K
LNUD72-LED60-B-VK-XXX-DIM	120-277	60	7872	1968	5904	131.2	15.0	0.900	3K/4K/5K
LNUD96-LED80-B-VK-XXX-DIM	120-277	80	10491	2623	7868	131.1	15.0	0.900	3K/4K/5K

*Estimated calculations based on 25% uplight and 75% downlight lumen output.

COLOR SELECTABLE SWITCH



The switch is located inside of the fixture.

1. 5000K
2. 4000K
3. 3000K

1. 5000K
2. 4000K
(Default switch setting)
3. 3000K

Easily change the colour temperature with the flip of a switch.

- 1. TOP** position = 5000K
- 2. MIDDLE** position = 4000K
- 3. BOTTOM** position = 3000K

BATTERY BACK UP DETAILS:

TECHNICAL SPECIFICATIONS	
Rated Input Voltage	100-347VAC
Input Current	20-100mA
Input Power	8W
Power Factor	0.6 @ 100VAC, 0.5 @347 VAC
Output Voltage (Emergency Mode)	8W
Recharge Current	0-200mA
Recharge Time	24 Hours
Discharge Time	90 Minutes
Maximum Case Temperature Tc	70°C
Ambient Operating Temperature Ta	10-60°C
Service Life	50,000 Hours
RFI/EMI	FCC

*Battery Back Up is factory installed inside housing.

Note: Lumen output with emergency battery backup can be calculated by multiplying battery power output with efficacy of fixture.

ORDERING GUIDE:

VK

Fixture	Wattage	Voltage	Color Temp.	Paint Finish	Driver	Mounting	Options
LND24	LED20	B - 120-277V	VK - Color Selectable	WHT - White*	DIM - 0 -10V Dimming*	BLANK - Ceiling Surface Mount	BBK8 - 8W Battery Backup**
LND48	LED40			BLK - Black*		WM - Wall Mount	
LND72	LED60			CC - Custom Color	TRIAC - TRIAC Dimming***	RM - Recessed Mount	
LND96	LED80						
LNUD24							
LNUD48							
LNUD72							
LNUD96							

* Standard Configuration

**Battery will only power the unit in which it is installed in and not power additional units in a run of fixtures.

***Choose input voltage A - 120V when ordering TRIAC dimming

Note: Suspension Mount Kit will be available in White and Black finish only. Suspension mount kit needs to be ordered separately.

ORDERING GUIDE FOR ACCESSORIES

Options Sold Separately

Check the items that you wish to order:

- 052665 - LND VK 120 DEGREE L CONNECTOR WHT - 94.5 MM**
- 052378 - LND VK 90 DEGREE L CONNECTOR WHT
- 052379 - LND VK 90 DEGREE T CONNECTOR WHT
- 052380 - LND VK 90 DEGREE X CONNECTOR WHT
- 052381 - LND VK 120 DEGREE L CONNECTOR WHT
- 052382 - LND VK 120 DEGREE Y CONNECTOR WHT
- 052383 - LND/LNUD 6' WHITE SUSPENSION KIT W/ POWER CORD
- 052658 - LND/LNUD 6' WHITE SUSPENSION MOUNT KIT W/O POWER CORD
- 052659 - LND/LNUD 6' WHITE POWER CORD
- 052660 - LND/LNUD 6' BLACK SUSPENSION MOUNT KIT W/O POWER CORD
- 052661 - LND/LNUD 6' BLACK POWER CORD
- 052749 - LND/LNUD Y CONFIG SUSPENSION MOUNT KIT (THREE 6' AIRCRAFT CABLE SET)

*Power cord must be ordered separately.