



ORA4-LED80

LED Wall/Flood Light



KNUCKLE MOUNT



YOKE MOUNT

Applications:
Perimeter lighting in condos, townhouses, malls, commercial buildings.

DESCRIPTION:

The ORA-LED series is a fully adjustable multi-purpose fixture that replaces traditional wall packs or floods. The ORA features a sleek elegant design with multiple mounting options.

FEATURES:

- Fixture head may be aimed down or aimed out as needed.
- Three mounting options available - knuckle, yoke and wall mount.
- Wall light/flood light with wide beam optics.
- Wall mount version comes with back box that has 4 conduit entries on left and right sides, bottom and the back
- 480V unit comes with a thicker back box and is available in the wall mount version only.
- Architectural wall mount box (without conduit entries) available as an option sold separately.
- 0-10V dimming is standard.
- 0.15 meter power cord for knuckle and wall mount units and 0.5 meter power cord for yoke mount units.
- The ORA-LED Series can also be used as a sign light with different ARMS. Please view page 4 for dimensional drawings.

SPECIFICATIONS	ORA4-LED80
Watts	76.1
Lumens	9574.5
Efficacy (Lm/W)	125.8
Replaces Up To	250W MH
Total Harmonic Distortion	14.2%
CRI	70
Power Factor	0.92
Voltage	120-277*, 480V**
CCT	4000K*
Dimming	0-10V Dimming*
LED Life @ 100,000 Hours	77%
Finish	Bronze*, Custom Color
Housing Details	Die Cast Aluminum
Lens Details	Clear PC Lens
Mounting	Knuckle, Yoke, Wall Mount, Narrow Wall Mount Box
Operating Temp.	-40°C to +40°C
Certifications	UL, Wet Location, 5 Year Warranty, cJULus Certified as per UL1598 & CSA C22.2 NO. 250.0, DLC 5.1
Factory Installed Options	Photocell, Dimming PIR Motion Sensor**
Options Sold Separately	Architectural Wall Mount Box (without conduit entries)

* Standard Configuration
** The NWMB back box must be ordered when ordering 480V, Photocell or Motion Sensor.

480V FIXTURES ARE DLC STANDARD



SPECIFICATIONS

Model Number	Voltage (V)	Power (W)	Light Output (lm)	Efficacy (lm/W)	THD (%)	PF	CCT (K)	B-U-G
ORA4-LED80-B-4K-XXX-DIM-[KN;YK;WMC;NWMB]-[PC;Blank]	120-277	76	9575	125.8	14.2	0.922	4000	3-2-1
ORA4-LED80-L-4K-XXX-DIM-[KN;YK;WMC;NWMB]-[PC;Blank]	480	83	9589	115.4	12.6	0.949	4000	3-2-1

AMPERAGE DRAW & SURGE PROTECTION

	CURRENT (A)					SURGE PROTECTION (kV)	
	120V	208V	240V	277V	480V	120-277V	480V
ORA4-LED80	0.7A	0.41A	0.35A	0.31A	0.25A	4kV	

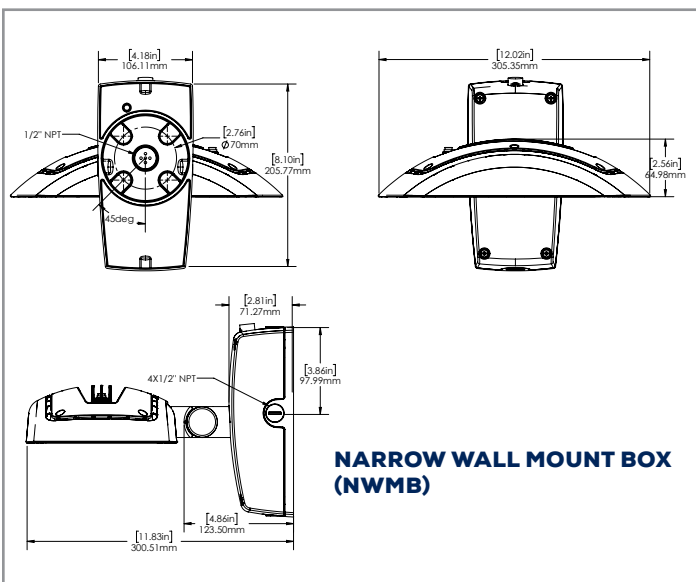
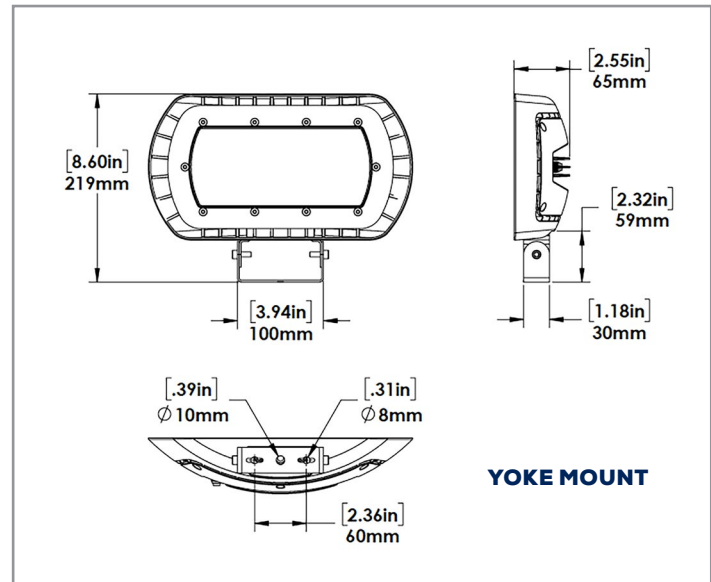
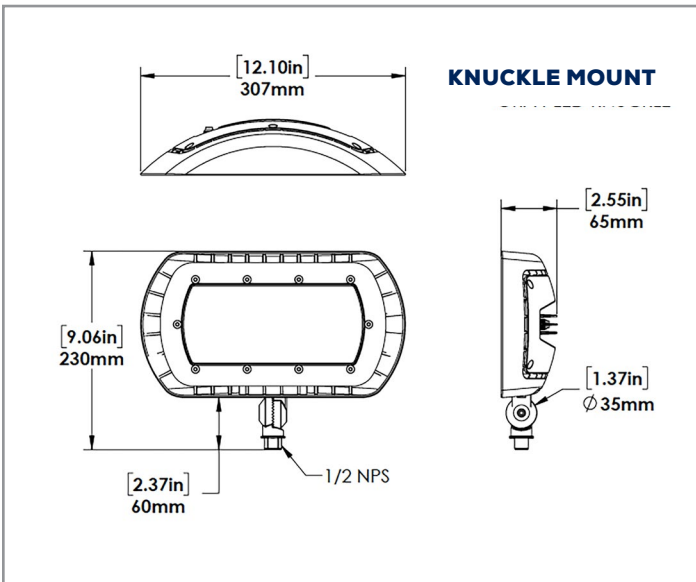
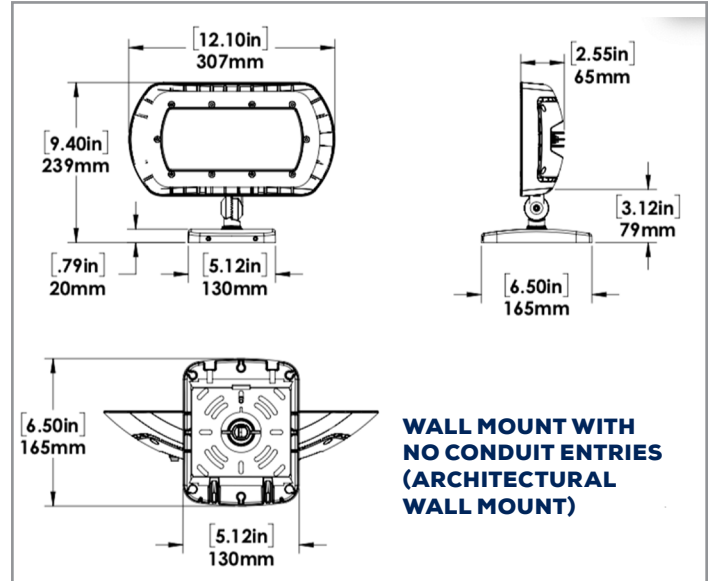
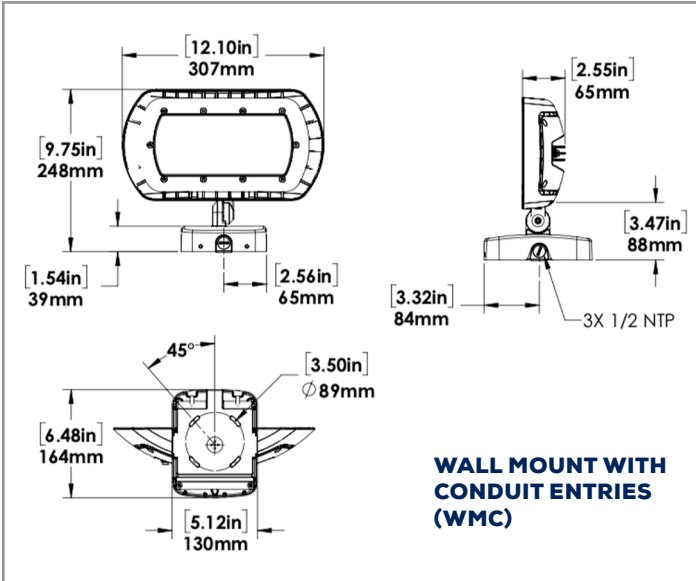
WEIGHT (lbs)

ORA4-LED80	7.2
------------	-----

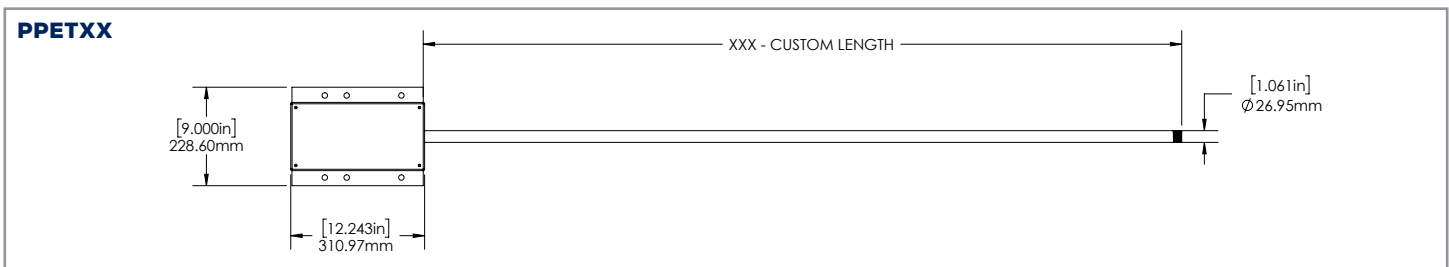
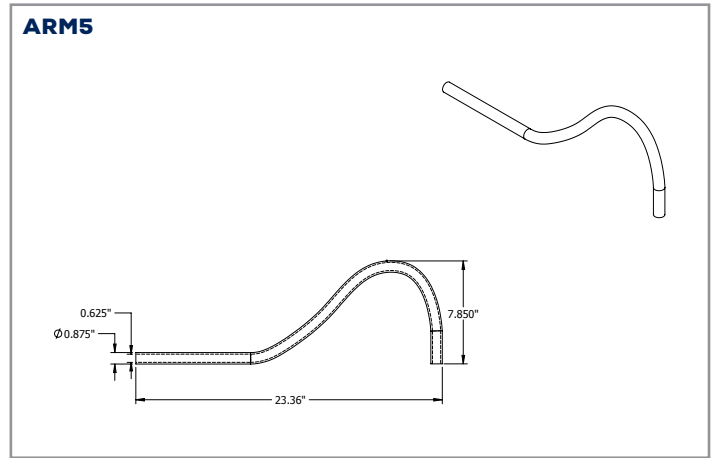
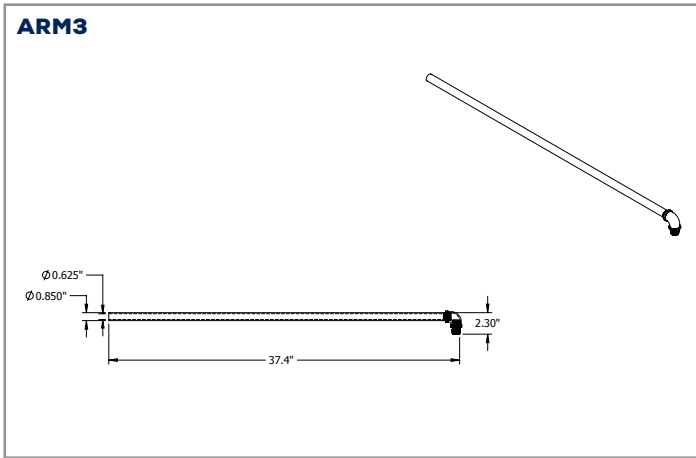
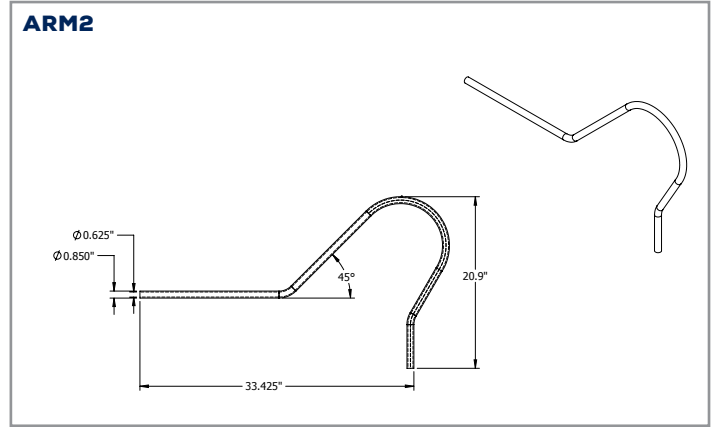
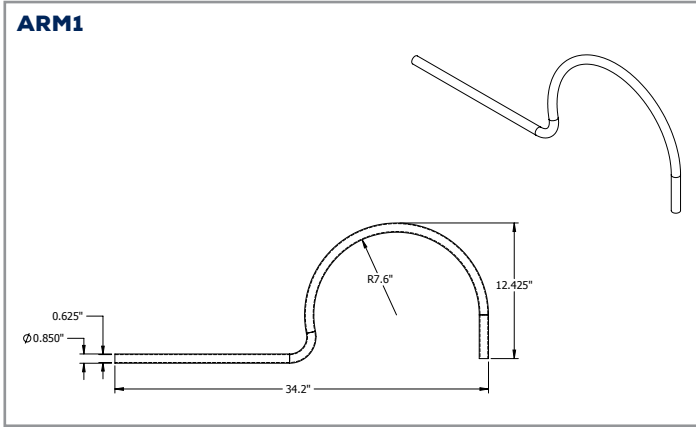
LUMEN MAINTENANCE

	50,000	75,000	100,000
ORA4-LED80	87.8%	82.2%	76.9%

DIMENSIONS:



SIGN LIGHT DIMENSIONS:

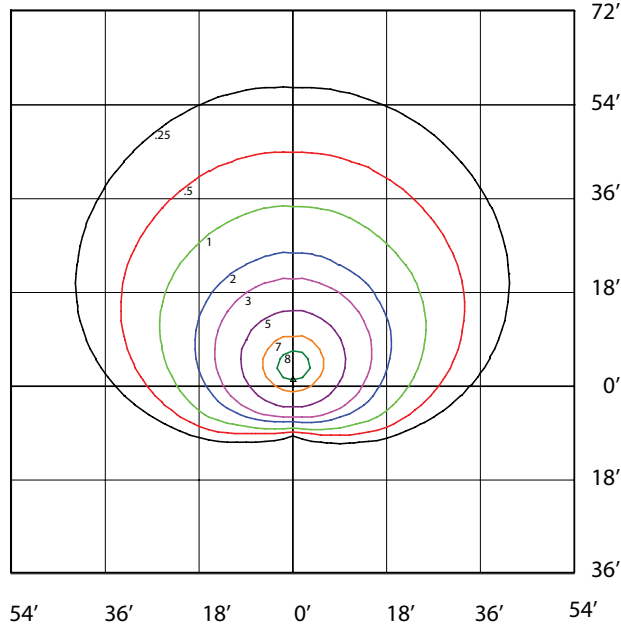


APPLICATION:



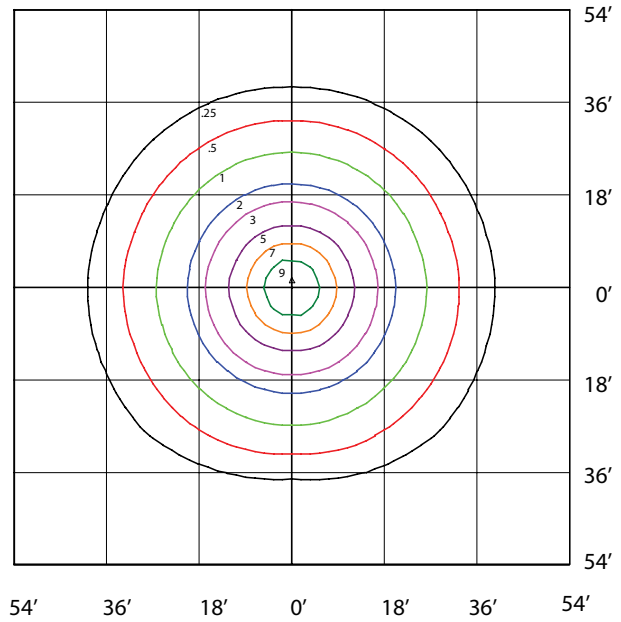
ORA4-LED80-B-4K-DIM
MOUNTED AT 18 FEET 45 DEGREE TILT

Total Lumens = 9576 Mounting Height = 18 Ft Maximum Calculated Value = 8.42 Fc



ORA4-LED80-B-4K-DIM
MOUNTED AT 18 FEET

Total Lumens = 9576 Mounting Height = 18 Ft Maximum Calculated Value = 10.78 Fc



ORDERING GUIDE:

ORA4	LED80		4K		DIM		
Wattage	Voltage	Color Temp.	Paint Finish	Dimming	Controls	Mounting	
LED80 - 80W	B - 120-277V* L - 480V**	4K - 4000K	BRZ - Bronze* CC - Custom Color	DIM - 0-10V Dimming*	BLANK* PC - Photocell	KN - Knuckle YK - Yoke WMC - Wall Mount Box With Conduit Entries NWMB - Narrow Wall Mount Box For 480V Only	

* Standard Configuration

** Must order NWMB Back Box when ordering 480V, Photocell or Motion Sensor

480V FIXTURES WILL BE DLC STANDARD ONLY AND COMES WITH A DEEP BACKBOX ONLY

ORDERING GUIDE - SIGN LIGHT:

ORA4	LED80	B	4K		DIM		
Wattage	Voltage	Color Temp.	Paint Finish	Dimming	Mounting	Arm	
LED80 - 80W	B - 120-277V	4K - 4000K	BRZ - Bronze* CC - Custom Color	DIM - 0-10V Dimming*	KN - Knuckle	ARM1 ARM2 ARM3 ARM5 PPETXX - Parapet Mount with Custom Arm Length	

FIELD INSTALLED ACCESSORIES

Ordering Guide For Accessories

Check the items that you wish to order:

051411 - ORA3/4 ARCHITECTURAL WALL MOUNT BRZ NO CONDUIT ENTRIES