



ORA3-LED50

LED Wall/Flood Light



KNUCKLE MOUNT



YOKE MOUNT

Applications:
Perimeter lighting in condos, townhouses, malls, commercial buildings.

DESCRIPTION:

The ORA-LED series is a fully adjustable multi-purpose fixture that replaces traditional wall packs or floods. The ORA features a sleek elegant design with multiple mounting options.

FEATURES:

- Fixture head may be aimed down or aimed out as needed.
- Three mounting options available - knuckle, yoke and wall mount.
- Wall light/flood light with wide beam optics.
- Wall mount version comes with back box that has 4 conduit entries on left and right sides, bottom and the back
- 480V unit comes with a thicker back box and is available in the wall mount version only.
- Architectural wall mount box (without conduit entries) available as an option sold separately.
- 0-10V dimming is standard.
- 0.15 meter power cord for knuckle and wall mount units and 0.5 meter power cord for yoke mount units.
- The ORA-LED Series can also be used as a sign light with different ARMS. Please view page 4 for dimensional drawings

SPECIFICATIONS

ORA3-LED50

Watts	50.9
Lumens	6455.9
Efficacy (Lm/W)	127
Replaces Up To	150W MH
Total Harmonic Distortion	15.3%
CRI	70
Power Factor	0.91
Voltage	120-277*, 480V**
CCT	4000K*
Dimming	0-10V Dimming*
LED Life @ 100,000 Hours	77%
Finish	Bronze*, Custom Color
Housing Details	Die Cast Aluminum
Lens Details	Clear PC Lens
Mounting	Knuckle, Yoke, Wall Mount, Narrow Wall Mount Box
Operating Temp.	-40°C to +40°C
Certifications	UL, Wet Location, 5 Year Warranty, cULus Certified as per UL1598 & CSA C22.2 NO. 250.0, DLC 5.1
Factory Installed Options	Photocell, Dimming PIR Motion Sensor**
Options Sold Separately	Architectural Wall Mount Box (without conduit entries)

* Standard Configuration

** The NWMB back box must be ordered when ordering 480V, Photocell or Motion Sensor.

480V FIXTURES ARE DLC STANDARD



SPECIFICATIONS

Model Number	Voltage (V)	Power (W)	Light Output (lm)	Efficacy (lm/W)	THD (%)	PF	CCT (K)	B-U-G
ORA3-LED50-B-4K-XXX-DIM-[KN;YK;WMC;NWMB]-[PC;Blank]	120-277	51	6456	127.0	15.3	0.915	4000	2-1-1
ORA3-LED50-L-4K-XXX-DIM-[KN;YK;WMC;NWMB]-[PC;Blank]	480	56	6471	115.5	14.5	0.954	4000	2-1-1

AMPERAGE DRAW & SURGE PROTECTION

	CURRENT (A)					SURGE PROTECTION (kV)	
	120V	208V	240V	277V	480V	120-277V	480V
ORA3-LED50	0.44A	0.26A	0.22A	0.19A	0.16A	4kV	

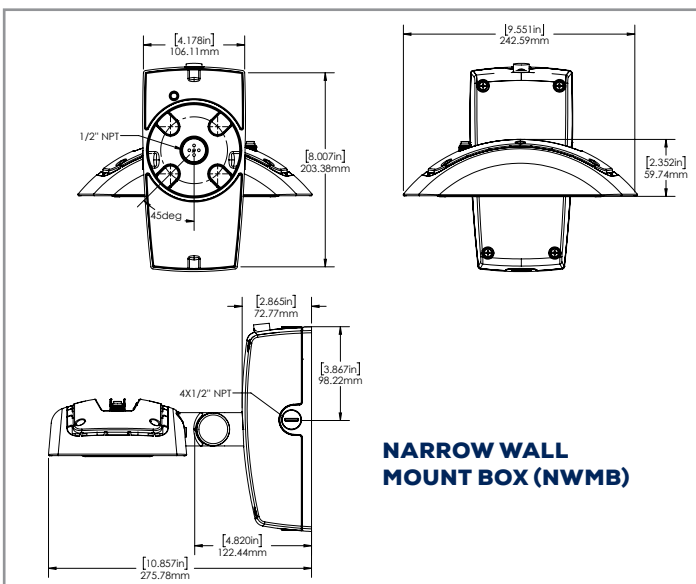
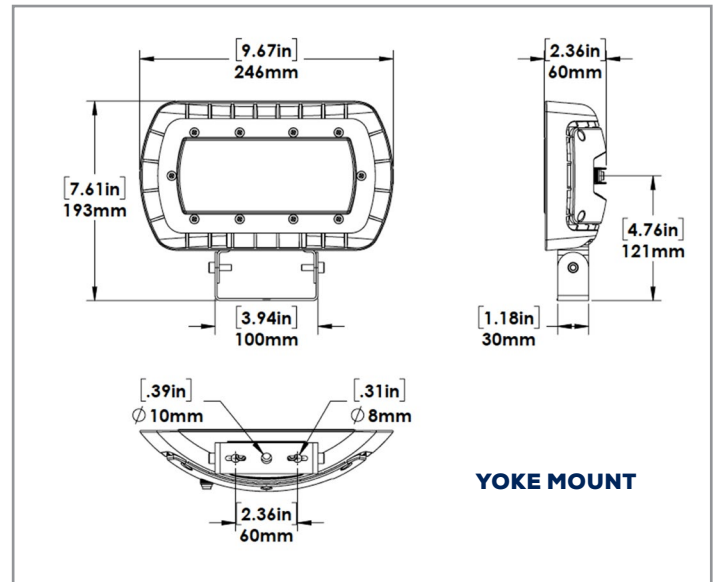
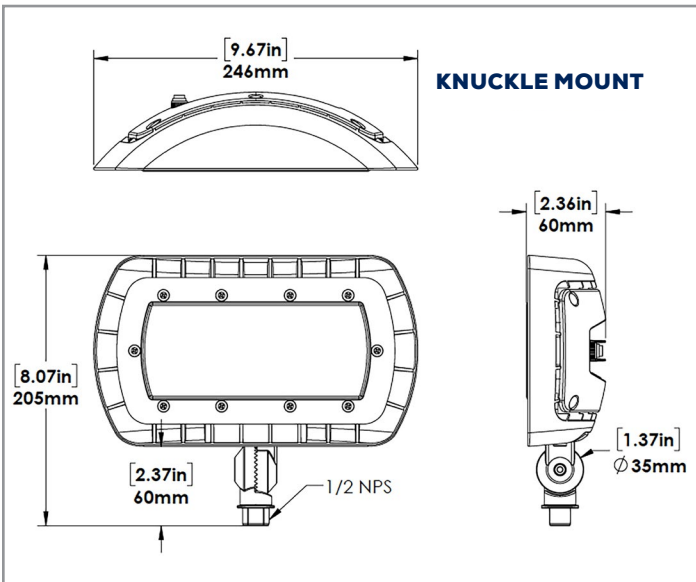
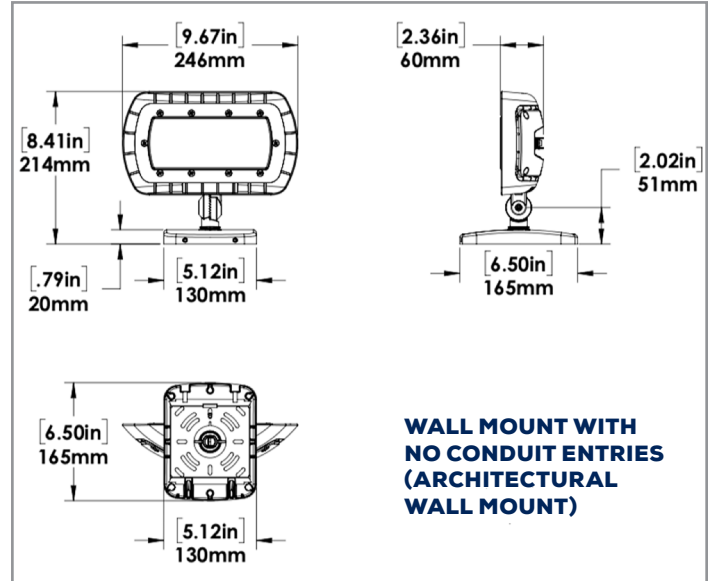
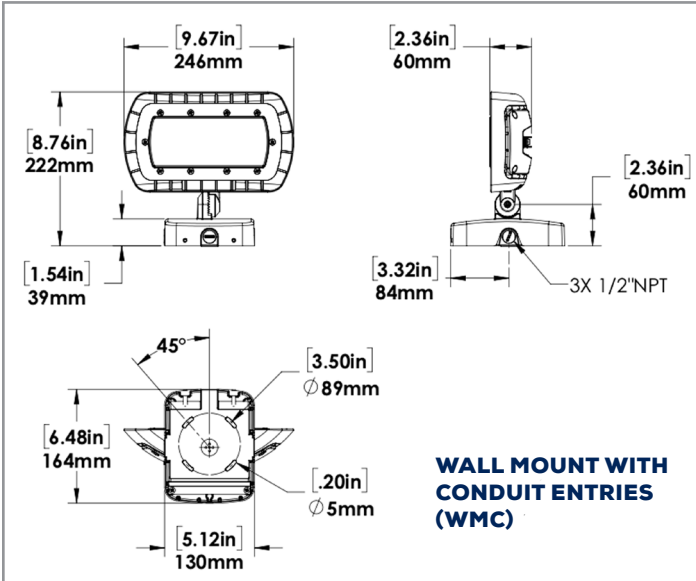
WEIGHT (lbs)

ORA3-LED50	6.1
------------	-----

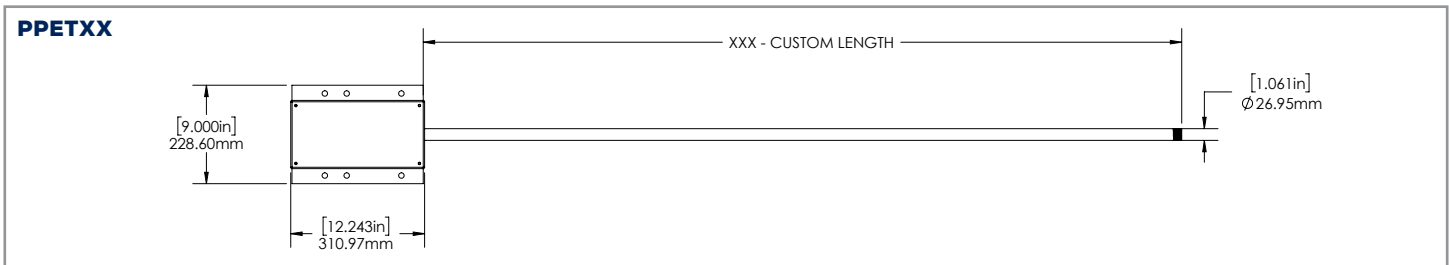
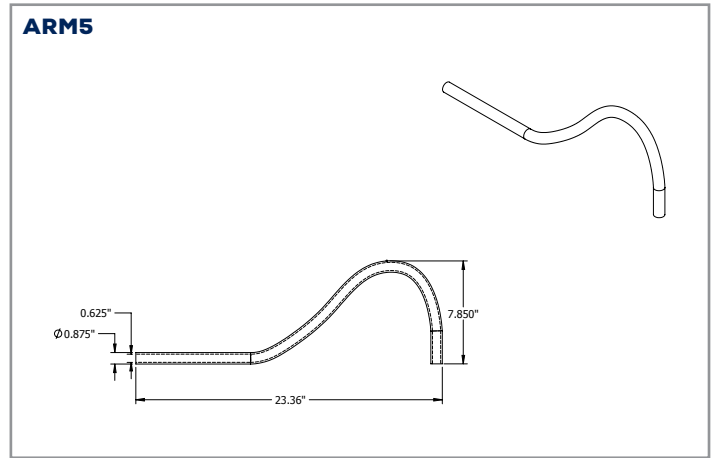
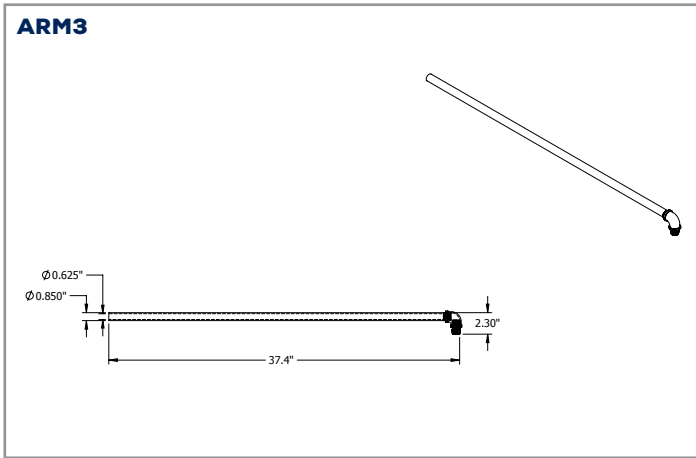
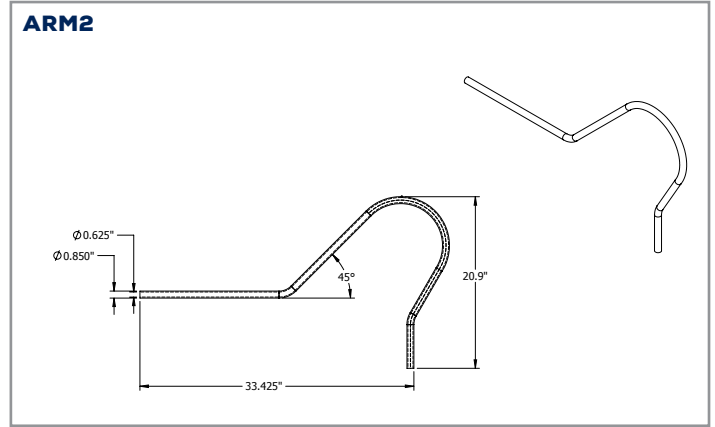
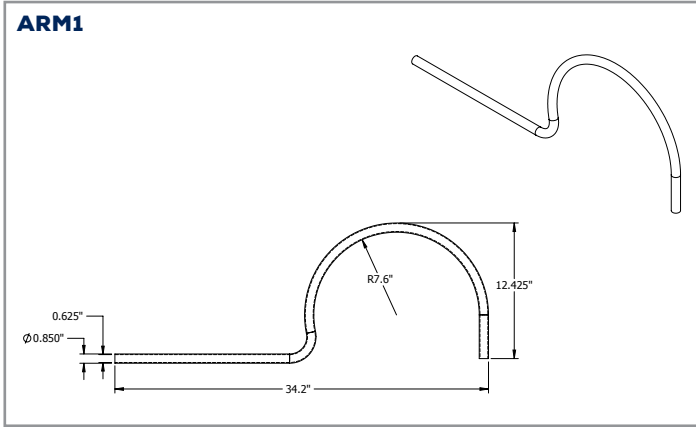
LUMEN MAINTENANCE

	50,000	75,000	100,000
ORA3-LED50	87.8%	82.2%	76.9%

DIMENSIONS:



SIGN LIGHT DIMENSIONS:

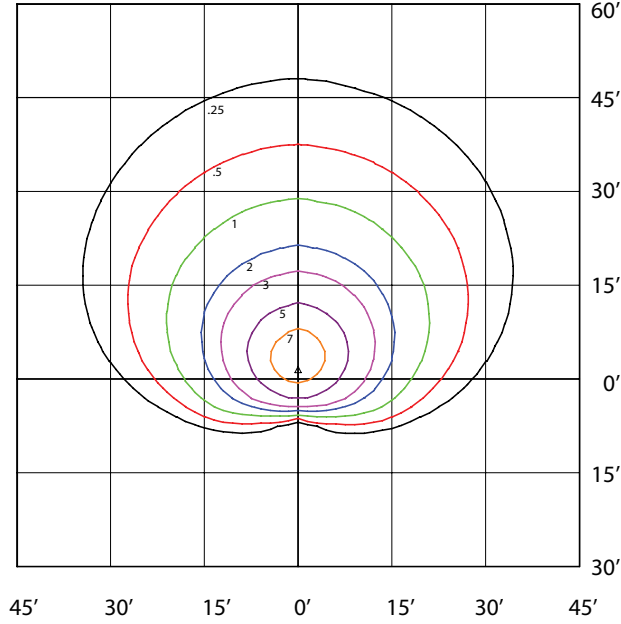


APPLICATION:



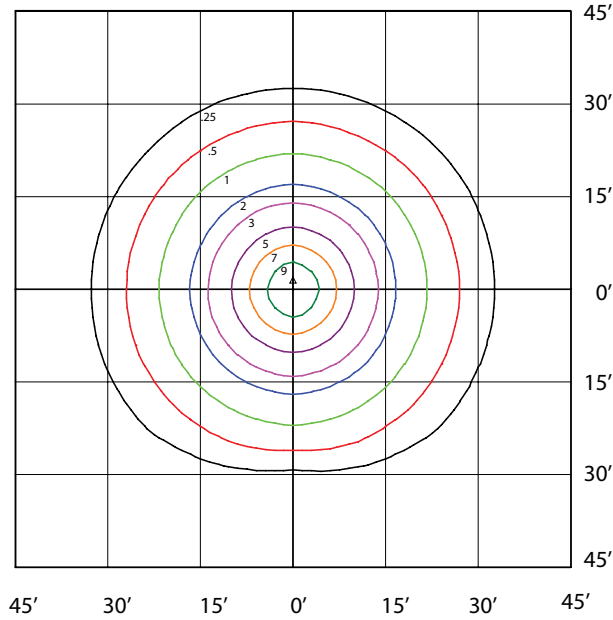
ORA3-LED50-B-4K-DIM
MOUNTED AT 15 FEET 45 DEGREE TILT

Total Lumens = 6459 Mounting Height = 15 Ft Maximum Calculated Value = 8.28 Fc



ORA3-LED50-B-4K-DIM
MOUNTED AT 15 FEET

Total Lumens = 6459 Mounting Height = 15 Ft Maximum Calculated Value = 10.67 Fc



ORDERING GUIDE:



Wattage	Voltage	Color Temp.	Paint Finish	Dimming	Controls	Mounting
LED50 - 50W	B - 120-277V*	4K - 4000K	BRZ - Bronze*	DIM - 0-10V Dimming*	BLANK*	KN - Knuckle
	L - 480V**		CC - Custom Color		PC - Photocell	YK - Yoke
						WMC - Wall Mount Box With Conduit Entries

* Standard Configuration

** Must order NWMB Back Box when ordering 480V, Photocell or Motion Sensor

480V FIXTURES WILL BE DLC STANDARD ONLY AND COMES WITH A DEEP BACKBOX ONLY

NWMB -Narrow Wall Mount Box For 480V Only

ORDERING GUIDE - SIGN LIGHT:



Wattage	Voltage	Color Temp.	Paint Finish	Dimming	Mounting	Arm
LED50 - 50W	B - 120-277V	4K - 4000K	BRZ - Bronze*	DIM - 0-10V Dimming*	KN - Knuckle	ARM1
			CC - Custom Color			ARM2
						ARM3
						ARM5
						PPETXX - Parapet Mount with Custom Arm Length

FIELD INSTALLED ACCESSORIES

Ordering Guide For Accessories

Check the items that you wish to order:

- 051411 - ORA3/4 ARCHITECTURAL WALL MOUNT BRZ NO CONDUIT ENTRIES