

INSTALLATION INSTRUCTIONS



ELECTRICAL SHOCK HAZARD

READ, UNDERSTAND, and FOLLOW these instructions before installing the equipment.

WARNING

Disconnect the Electrical supply power at the service panel (fuse or circuit breaker box). Failure to do so could result in serious injury or death. Only qualified electricians should install this fixture and the installation **MUST** conform to the Electrical Code and all local codes and ordinances. Ensure that only proper tools, materials, and equipment are used to complete the installation.

This Device was tested and complies with Part 15 of the FCC Rules. Operation is subject to two conditions:

1. This device may not cause harmful interference, and
2. This device must accept any interference received, including any interference that may cause undesired operation.

These limits are designed to provide reasonable protection against harmful interference when the equipment is operated in a commercial environment.

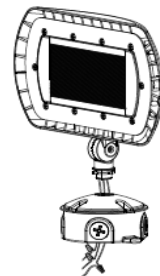
SAFETY

- Proper grounding is required to ensure personal safety.
- Fixture should be mounted in locations where unauthorized personnel will not readily subject it to tampering.
- Do not use this equipment for anything other than its intended purpose.
- Servicing this equipment should be performed by qualified service personnel.
- Save these instructions.
- This equipment generates, uses and can radiate radio frequency energy and, if not installed and used in accordance with the instructions, may cause harmful interference to radio communications.
- Changes or modifications to this unit not expressly approved by the party responsible for compliance Could void the user authority to operate the equipment.
- **MIN 90 °C SUPPLY CONDUCTOR.**

INSTALLATION

KNUCKLE MOUNT

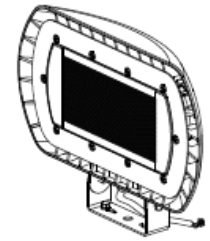
- Pull the wires from the junction box or cover (not provided).
- Connect the wires as per wiring diagram.
- Mount the fixture to the junction box or cover with ½" NPT conduits entries
- Loosen the screws on the yoke to adjust a suitable orientation and then tighten the screws.



INSTALLATION INSTRUCTIONS

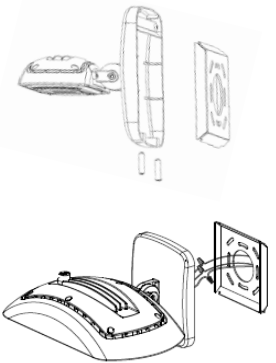
YOKE MOUNT

- DO NOT REMOVE THE YOKE FROM THE FIXTURE.
- Mount the fixture on the desired location with appropriate screws. Drill holes if necessary.
- Pull the wires from the junction box and connect the wires as per wiring diagram.
- Loosen the screws on the yoke to adjust a suitable orientation and then tighten the screws.



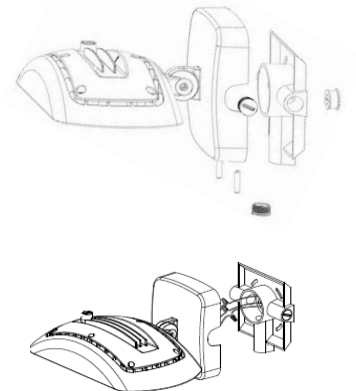
WALL MOUNT

- Remove the mounting plate on the back of the fixture by loosening the screws using the provided Allen key.
- Attach the mounting plate onto the junction box and connect the wires as per wiring diagram.
- Once wired, use the set screws and reattach the fixture to the mounting plate



WALL MOUNT WITH CONDUIT ENTRY

- Remove the conduit entry on the back of the fixture by loosening the set screws using the provided Allen key
- Attach the conduit entry onto the desired location and connect the wires as per wiring diagram.
- Once wired, use the set screws and reattach the fixture to the conduit entry.



WIRING

- Check that the line voltage is correct.
- Connect fixture **GROUND** (green) wire to power supply **GROUND** (green) wire.
- Connect fixture **WHITE** wire to power supply **NEUTRAL** wire.
- Connect fixture **BLACK** wire to power supply **LINE** wire.
- The fixture includes 0-10V dimming functionality, connect **GREY** and **VIOLET** wires to a 0-10V dimming controller (optional).

