



CCM-LED

Post Top LED Area Light



Applications:
Office complexes, Campuses, Parks, Townhouses & Walkways



DESCRIPTION:

The Coachman Series has a traditional, architectural look with the latest LED technology including options for beam distributions and lumen adjustability in an easy-to-install design.

FEATURES:

Construction

Cast Aluminum housing with f1 rated UV resistant clear/frosted lens. Spun aluminum reflector for widespread, even illumination. Designed to protect fixture from insect and water ingress.

Driver

Driver has Short Circuit & Open Circuit Protection and temperature foldback. Temperature foldback circuit reduces the output current to ensure that the LED temperature does not exceed the set value, protecting the LED from failure. Driver complies with UL8750, Class 2 output. Electromagnetic Compliance - FCC Title 47 Part 15 Class A.

Optics

Available in T3, T4 or T5 beam distributions. Optics are rated IP65.

Mounting

Mounts a 2-3/8" to 3" OD vertical tenon. Custom pole adaptor options available. Fixture can also be wall mounted through a Decorative Wall Mount bracket sold separately.

Easy Maintenance

Tool free opening of the top of the fixture to access lumen adjustable switch, maintenance purpose.

Finish

Corrosion resistant polyester powder paint. Sandtex Black is standard. Custom Colors available.

Lumen Adjustable Option

A rotary switch for lumen adjustment is a factory installed option. To access the switch, Installer needs to open the top of the fixture. There are options for 3 switch settings as shown on the right:

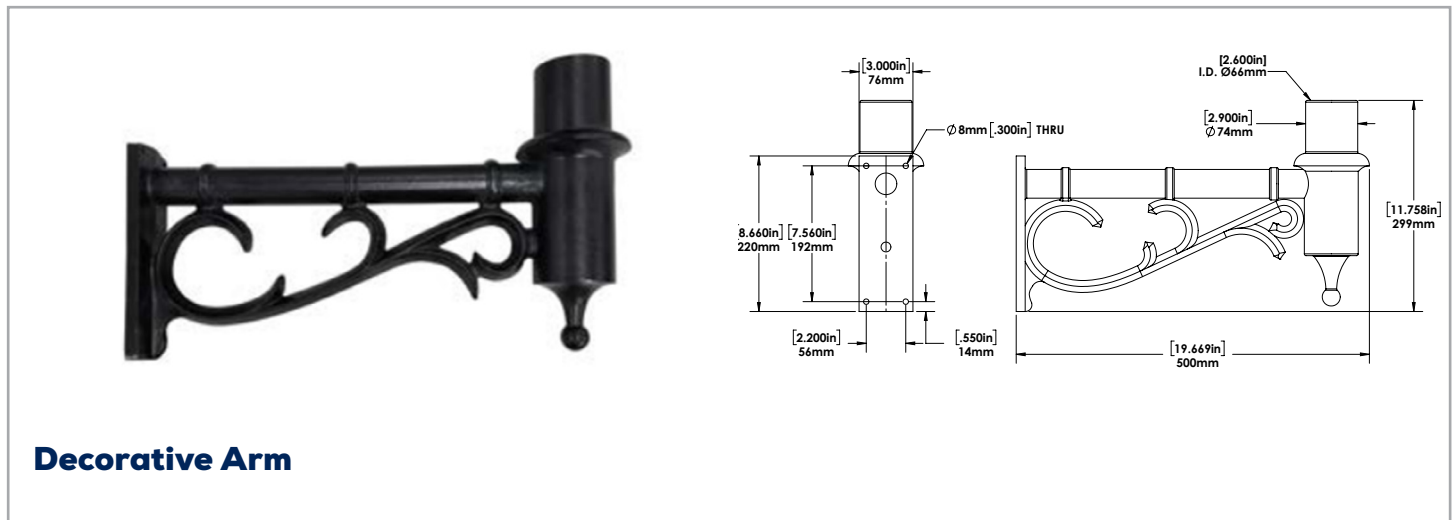
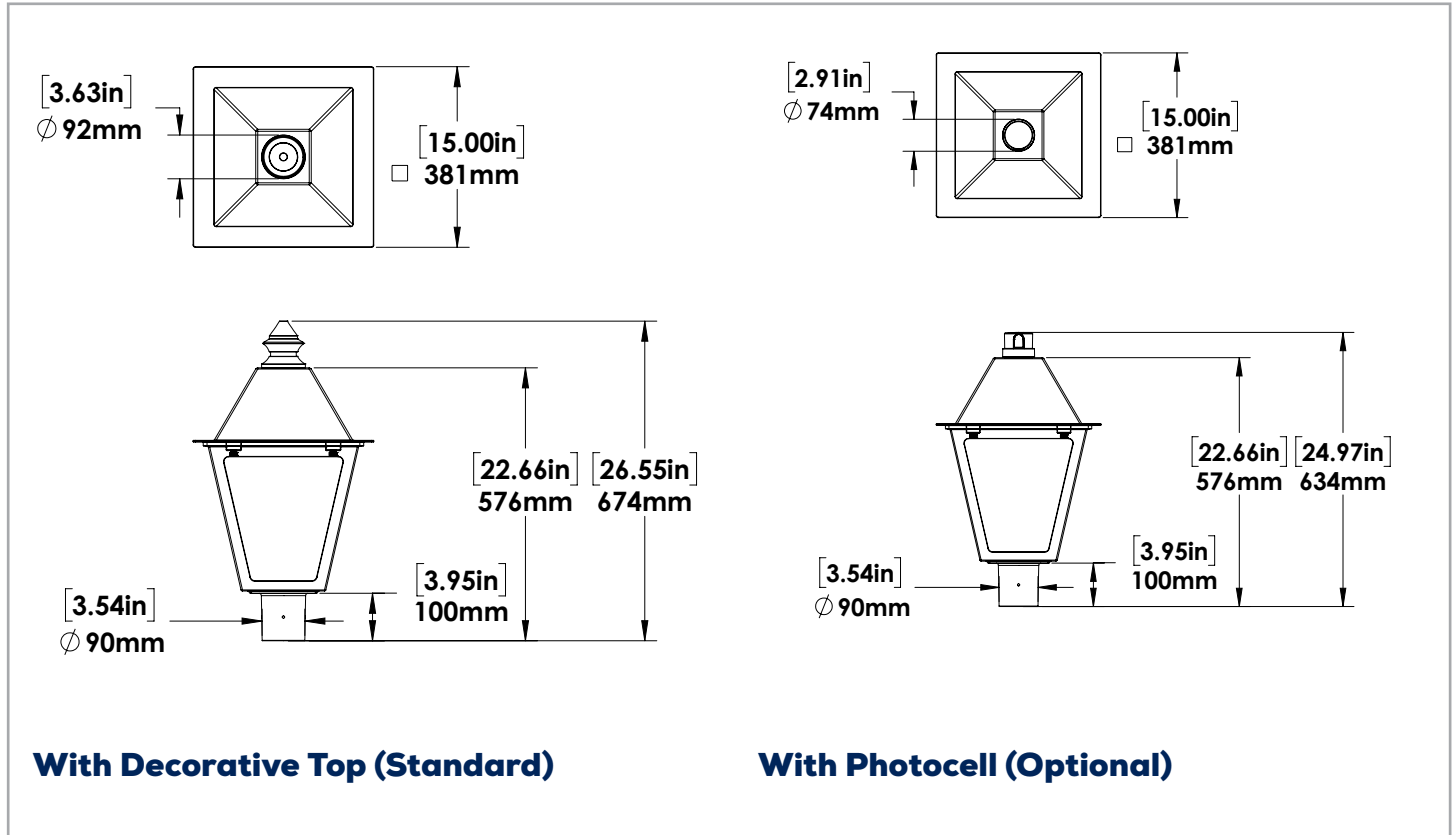
*Specs shown are for the standard CCM fixtures.
For detailed specs of other models, please refer pages 5 to 8.

SPECIFICATIONS	CCM-	CCM-	CCM-LED110
Watts	41.4	72.5	99.7
Lumens	4877.4	8091.2	10494.9
Efficacy (Lm/W)	117.9	111.6	105.2
Total Harmonic Distortion	11.7	5.2	
B-U-G		3-3-3	
Color Temp		3000K/4000K/5000K	
Power Factor		0.99	
Voltage		120-277, 480	
Beam Distribution		T3, T4, T5	
LED Life @ 100,000 Hours		88%	
Finish		Sandtex Black, Custom Colors	
Housing Details		Die Cast Aluminum	
Lens Details		f1 Rated UV Clear/Frosted Polycarbonate Lens	
Mounting		3" Post Top Mount, Wall Mount with decorative arm	
Operating Temp.		-40°C to +40°C	
Certifications		UL, Wet Location, 5 Year Warranty, DLC Standard (clear lens only)	
Factory Installed Options		Lumen Adjustment Switch, Photocell, NEMA 3/7 PIN Receptacle, Frosted Lens, 90/180° House Side Cut Off Options (not DLC listed), 10 kV Surge Protection	
Options Sold Separately		Decorative Wall Mount Arm, Pole Adaptors	
Vibration		3G rated per ANSI C136.31-2010 standard	
Dimming		0-10V Continuous Dimming	

LUMEN ADJUSTABLE SETTINGS:

CCM-LED81A41			
WATTS	41.4	60	72.5
LUMENS	4462	6693	8091
CCM-LED110A81			
WATTS	72.5	90	99.7
LUMENS	8419	9472	10495
CCM-LED110A41			
WATTS	41.4	72.5	99.7
LUMENS	4462	8419	10495

DIMENSIONS:



CCM-LED41

AMPERAGE DRAW & SURGE PROTECTION							
	CURRENT (A)					SURGE PROTECTION (kV)	
	120V	208V	240V	277V	347V	120-277V	347V
CCM-LED41	0.35A	0.21A	0.18A	0.16A	0.09A	2.50	6.00

CCM-LED81

AMPERAGE DRAW & SURGE PROTECTION							
	CURRENT (A)					SURGE PROTECTION (kV)	
	120V	208V	240V	277V	347V	120-277V	347V
CCM-LED81	0.7A	0.41A	0.35A	0.31A	0.18A	6.00	

CCM-LED110

AMPERAGE DRAW & SURGE PROTECTION							
	CURRENT (A)					SURGE PROTECTION (kV)	
	120V	208V	240V	277V	347V	120-277V	347V
CCM-LED110	0.97A	0.56A	0.49A	0.42A	0.25A	6.00	

WEIGHT (lbs)

CCM-LED41	24.5
CCM-LED81	
CCM-LED110	

EPA

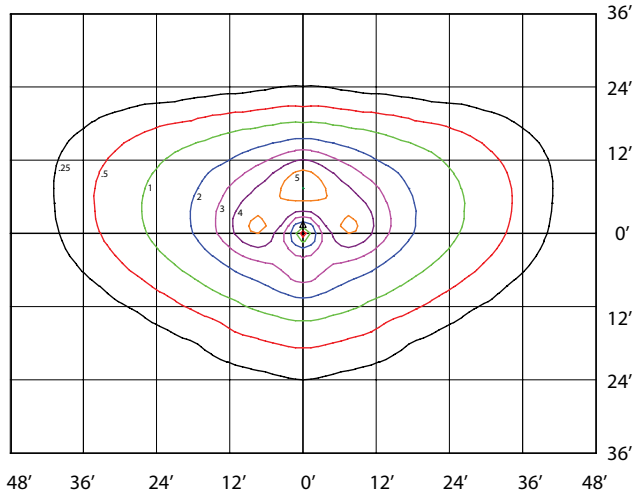
CCM-LED41	2.78
CCM-LED81	
CCM-LED110	

LUMEN MAINTENANCE (Projections as per IES TM-21 at 25°C Ambient)

	50,000 HRS	75,000 HRS	100,000 HRS
CCM-LED41	93.6%	90.8%	88.0%
CCM-LED81			
CCM-LED110			

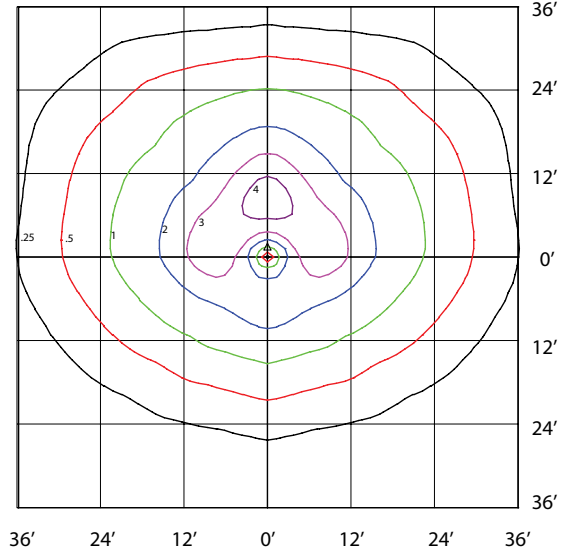
CCM-LED41-B-4K-T3-DIM-CL
MOUNTED AT 12 FEET

Total Lumens = 4886 Mounting 12 Feet Maximum Calculated Value = 6.01 Fc



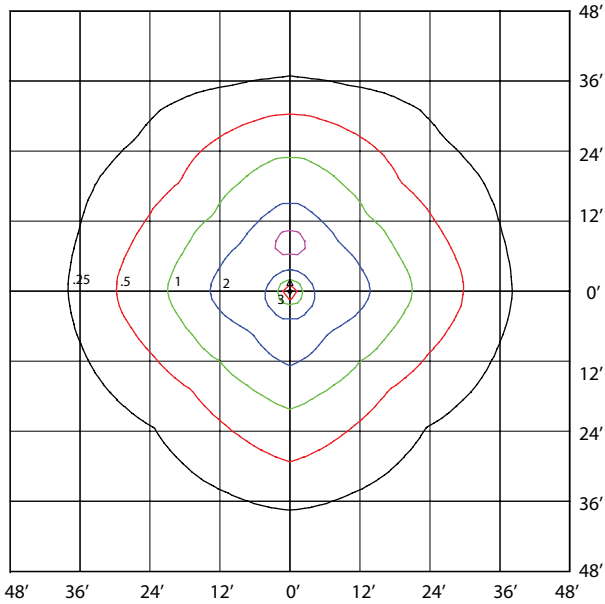
CCM-LED41-B-4K-T4-DIM-CL
MOUNTED AT 12 FEET

Total Lumens = 4848 Mounting 12 Feet Maximum Calculated Value = 4.89 Fc



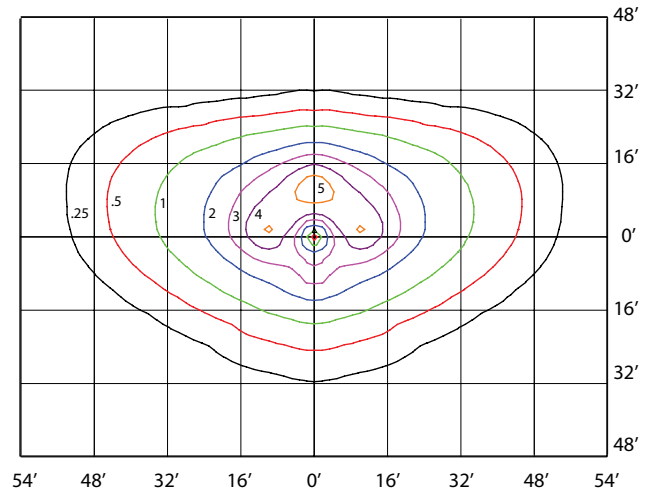
CCM-LED41-B-4K-T5-DIM-CL
MOUNTED AT 12 FEET

Total Lumens = 4926 Mounting 12 Feet Maximum Calculated Value = 3.35 Fc

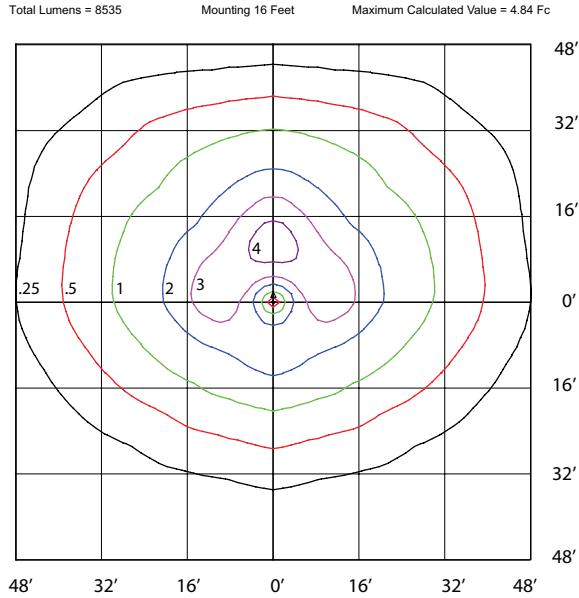


CCM-LED81-B-4K-T3-DIM-CL
MOUNTED AT 16 FEET

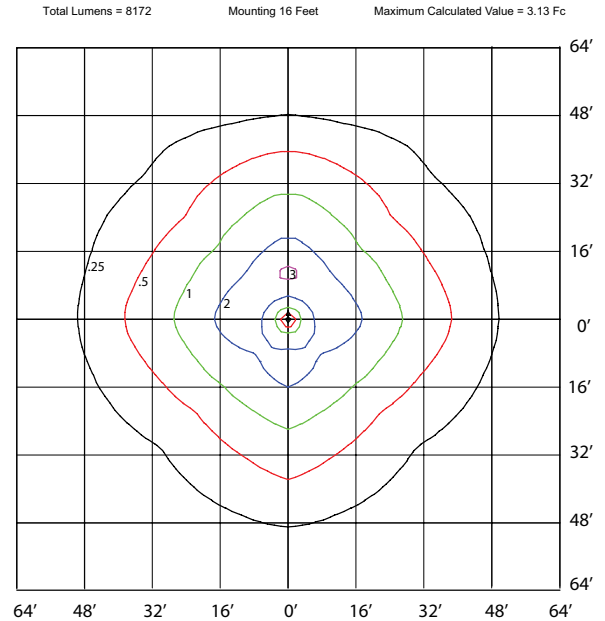
Total Lumens = 8402 Mounting 16 Feet Maximum Calculated Value = 5.81 Fc



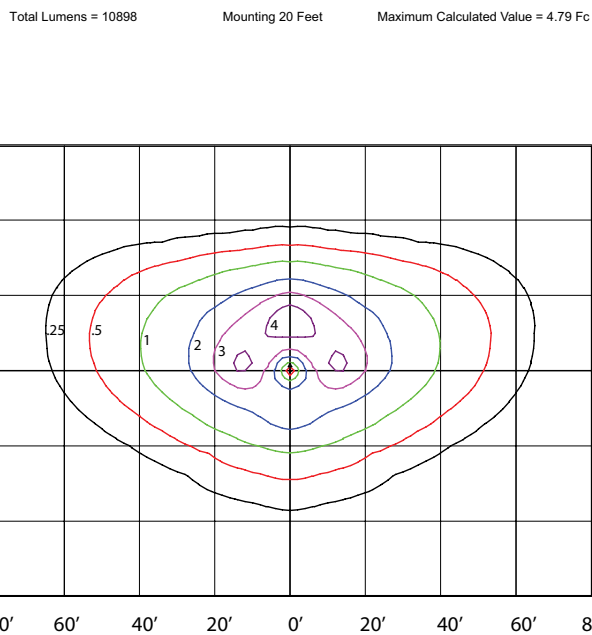
CCM-LED81-B-4K-T4-DIM-CL
MOUNTED AT 16 FEET



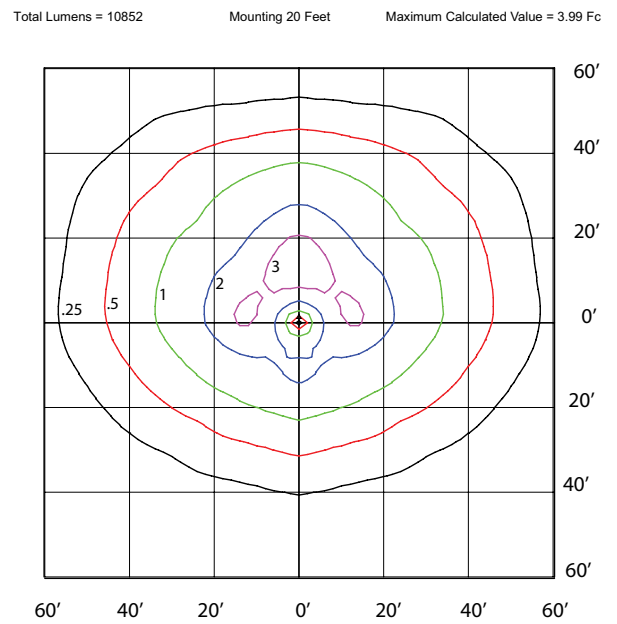
CCM-LED81-B-4K-T5-DIM-CL
MOUNTED AT 16 FEET



CCM-LED110-B-4K-T3-DIM-CL
MOUNTED AT 20 FEET



CCM-LED110-B-4K-T4-DIM-CL
MOUNTED AT 20 FEET

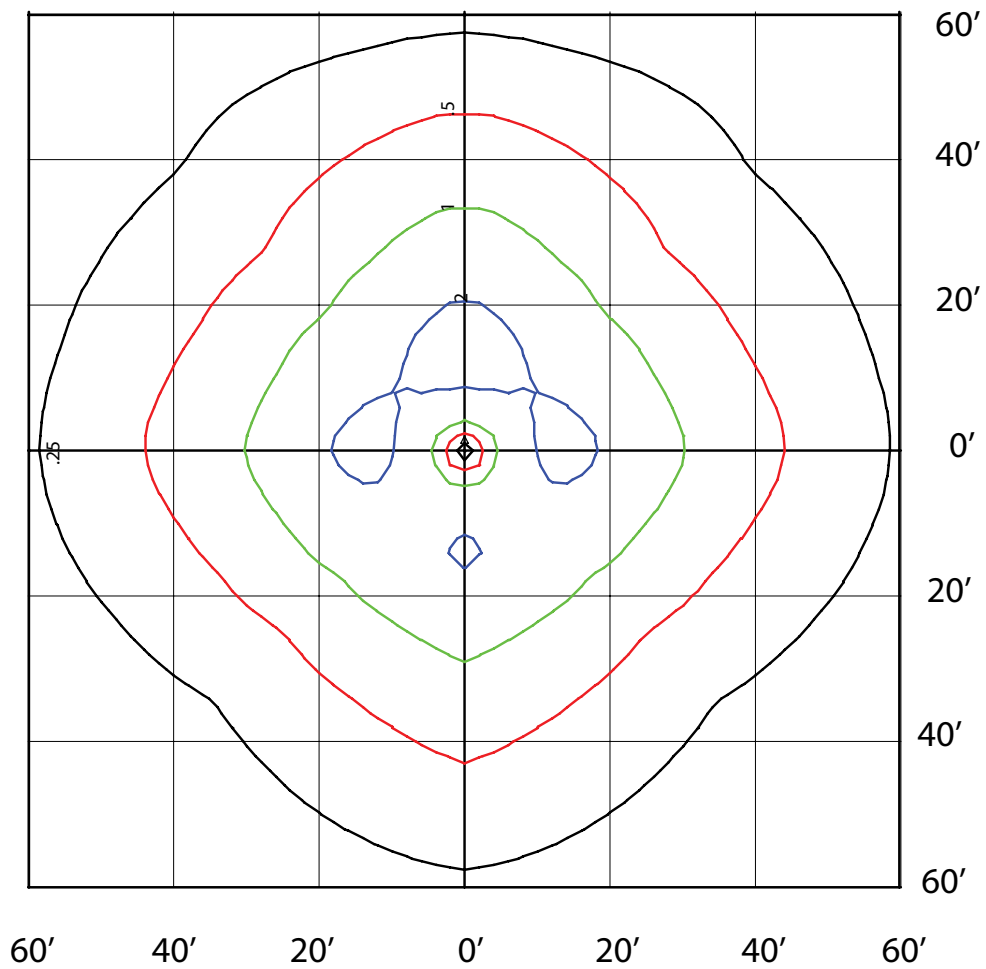


CCM-LED110-B-4K-T5-DIM-CL
MOUNTED AT 20 FEET

Total Lumens = 10600

Mounting 20 Feet

Maximum Calculated Value = 2.62 Fc



ORDERING GUIDE:

CCM					DIM			
Wattage	Voltage	Color Temp.	Optics	Optional Cut-Off	Paint Finish	Dimming	Controls	
LED41	B - 120-277V*	3K - 3000K	T3 - Type III	HCO90*** - 90° House Side Cut-Off	SBK - Sandtex Black*	DIM - 0 -10V Continuous Dimming	PC-Photocell	
LED81	L - 480V	4K - 4000K	T4 - Type IV	(not DLC listed)	CC - Custom Color		3PIN - 3 Pin Receptacle w/ Shorting Cap	
LED81A41		5K - 5000K*	T5 - Type V*	HCO180*** - 180° House Side Cut-Off			7PIN - 7 Pin Receptacle w/ Shorting Cap	
LED110				(not DLC listed)				
LED110A41								
LED110A81								

WATTAGE MAPPING TABLE**

Lens	Options	Wattage
CL - Clear Lens* FR - Frosted Lens (not DLC listed)	SP10 - 10 kV Surge Protection	LED41
		LED81
		LED81A41
		LED110
		LED110A41
		LED110A81

*Standard Configuration

** These wattages are for B/T5/5K

*** HCO Option is factory installed only

ORDERING GUIDE FOR ACCESSORIES

Options Sold Separately

Check the items that you wish to order:

051692 - DECORATIVE ARM 3"R BLACK

CCM-LED41

SPECIFICATIONS							
Model Number	Voltage (V)	Power (W)	Light Output (lm)	Efficacy (lm/W)	THD (%)	PF	CCT (K)
CCM-LED41-B-3K-T3-XXX-DIM-CL-[PC,3PIN,7PIN,Blank]	120-277	41	4854	117.3	11.7	0.985	2900
CCM-LED41-B-4K-T3-XXX-DIM-CL-[PC,3PIN,7PIN,Blank]	120-277	41	4855	117.3	11.7	0.985	4000
CCM-LED41-B-5K-T3-XXX-DIM-CL-[PC,3PIN,7PIN,Blank]	120-277	41	4867	117.6	11.7	0.985	4900
CCM-LED41-B-3K-T4-XXX-DIM-CL-[PC,3PIN,7PIN,Blank]	120-277	41	4895	118.3	11.7	0.985	2900
CCM-LED41-B-4K-T4-XXX-DIM-CL-[PC,3PIN,7PIN,Blank]	120-277	41	4822	116.5	11.7	0.985	4000
CCM-LED41-B-5K-T4-XXX-DIM-CL-[PC,3PIN,7PIN,Blank]	120-277	41	4895	118.3	11.7	0.985	4900
CCM-LED41-B-3K-T5-XXX-DIM-CL-[PC,3PIN,7PIN,Blank]	120-277	41	4852	117.3	11.7	0.985	2900
CCM-LED41-B-4K-T5-XXX-DIM-CL-[PC,3PIN,7PIN,Blank]	120-277	41	4877	117.9	11.7	0.985	4000
CCM-LED41-B-5K-T5-XXX-DIM-CL-[PC,3PIN,7PIN,Blank]	120-277	41	4952	119.7	11.7	0.985	4900
CCM-LED41-L-3K-T3-XXX-DIM-CL-[PC,3PIN,7PIN,Blank]	480	41	4852	117.3	11.7	0.985	2900
CCM-LED41-L-4K-T3-XXX-DIM-CL-[PC,3PIN,7PIN,Blank]	480	41	4854	117.3	11.7	0.985	4000
CCM-LED41-L-5K-T3-XXX-DIM-CL-[PC,3PIN,7PIN,Blank]	480	41	4865	117.6	11.7	0.985	4900
CCM-LED41-L-3K-T4-XXX-DIM-CL-[PC,3PIN,7PIN,Blank]	480	41	4925	119.0	11.7	0.985	2900
CCM-LED41-L-4K-T4-XXX-DIM-CL-[PC,3PIN,7PIN,Blank]	480	41	4895	118.3	11.7	0.985	4000
CCM-LED41-L-5K-T4-XXX-DIM-CL-[PC,3PIN,7PIN,Blank]	480	41	4968	120.1	11.7	0.985	4900
CCM-LED41-L-3K-T5-XXX-DIM-CL-[PC,3PIN,7PIN,Blank]	480	41	4781	115.5	11.7	0.985	2900
CCM-LED41-L-4K-T5-XXX-DIM-CL-[PC,3PIN,7PIN,Blank]	480	41	4804	116.1	11.7	0.985	4000
CCM-LED41-L-5K-T5-XXX-DIM-CL-[PC,3PIN,7PIN,Blank]	480	41	4877	117.9	11.7	0.985	4900

CCM-LED81

SPECIFICATIONS							
Model Number	Voltage (V)	Power (W)	Light Output (lm)	Efficacy (lm/W)	THD (%)	PF	CCT (K)
CCM-LED81-B-3K-T3-XXX-DIM-CL-[PC,3PIN,7PIN,Blank]	120-277	75	8305	111.0	5.2	0.998	3000
CCM-LED81-B-4K-T3-XXX-DIM-CL-[PC,3PIN,7PIN,Blank]	120-277	75	8349	111.6	5.2	0.998	4000
CCM-LED81-B-5K-T3-XXX-DIM-CL-[PC,3PIN,7PIN,Blank]	120-277	75	8359	111.7	5.2	0.998	4900
CCM-LED81-B-3K-T4-XXX-DIM-CL-[PC,3PIN,7PIN,Blank]	120-277	75	8364	111.8	5.2	0.998	3000
CCM-LED81-B-4K-T4-XXX-DIM-CL-[PC,3PIN,7PIN,Blank]	120-277	75	8490	113.5	5.2	0.998	4000
CCM-LED81-B-5K-T4-XXX-DIM-CL-[PC,3PIN,7PIN,Blank]	120-277	75	8483	113.4	5.2	0.998	4900
CCM-LED81-B-3K-T5-XXX-DIM-CL-[PC,3PIN,7PIN,Blank]	120-277	73	8044	110.9	5.2	0.998	3000
CCM-LED81-B-4K-T5-XXX-DIM-CL-[PC,3PIN,7PIN,Blank]	120-277	73	8091	111.6	5.2	0.998	4000
CCM-LED81-B-5K-T5-XXX-DIM-CL-[PC,3PIN,7PIN,Blank]	120-277	73	8176	112.7	5.2	0.998	4900
CCM-LED81-L-3K-T3-XXX-DIM-CL-[PC,3PIN,7PIN,Blank]	480	75	8303	111.0	5.2	0.998	3000
CCM-LED81-L-4K-T3-XXX-DIM-CL-[PC,3PIN,7PIN,Blank]	480	75	8303	111.0	5.2	0.998	4000
CCM-LED81-L-5K-T3-XXX-DIM-CL-[PC,3PIN,7PIN,Blank]	480	75	8338	111.4	5.2	0.998	4900
CCM-LED81-L-3K-T4-XXX-DIM-CL-[PC,3PIN,7PIN,Blank]	480	75	8451	112.9	5.2	0.998	3000
CCM-LED81-L-4K-T4-XXX-DIM-CL-[PC,3PIN,7PIN,Blank]	480	75	8577	114.6	5.2	0.998	4000
CCM-LED81-L-5K-T4-XXX-DIM-CL-[PC,3PIN,7PIN,Blank]	480	75	8610	115.1	5.2	0.998	4900
CCM-LED81-L-3K-T5-XXX-DIM-CL-[PC,3PIN,7PIN,Blank]	480	73	8108	111.8	5.2	0.998	3000

Model Number	Voltage (V)	Power (W)	Light Output (lm)	Efficacy (lm/W)	THD (%)	PF	CCT (K)
CCM-LED81-L-4K-T5-XXX-DIM-CL-[PC,3PIN,7PIN,Blank]	480	73	8047	110.9	5.2	0.998	4000
CCM-LED81-L-5K-T5-XXX-DIM-CL-[PC,3PIN,7PIN,Blank]	480	73	8092	111.6	5.2	0.998	4900

CCM-LED81A41

SPECIFICATIONS							
Model Number	Voltage (V)	Power (W)	Light Output (lm)	Efficacy (lm/W)	THD (%)	PF	CCT (K)
CCM-LED81A41-B-3K-T3-XXX-DIM-CL-[PC,3PIN,7PIN,Blank]	120-277	75	8305	111.0	5.2	0.998	3000
CCM-LED81A41-B-4K-T3-XXX-DIM-CL-[PC,3PIN,7PIN,Blank]	120-277	75	8349	111.6	5.2	0.998	4000
CCM-LED81A41-B-5K-T3-XXX-DIM-CL-[PC,3PIN,7PIN,Blank]	120-277	75	8359	111.7	5.2	0.998	4900
CCM-LED81A41-B-3K-T4-XXX-DIM-CL-[PC,3PIN,7PIN,Blank]	120-277	75	8364	111.8	5.2	0.998	3000
CCM-LED81A41-B-4K-T4-XXX-DIM-CL-[PC,3PIN,7PIN,Blank]	120-277	75	8490	113.5	5.2	0.998	4000
CCM-LED81A41-B-5K-T4-XXX-DIM-CL-[PC,3PIN,7PIN,Blank]	120-277	75	8483	113.4	5.2	0.998	4900
CCM-LED81A41-B-3K-T5-XXX-DIM-CL-[PC,3PIN,7PIN,Blank]	120-277	73	8044	110.9	5.2	0.998	3000
CCM-LED81A41-B-4K-T5-XXX-DIM-CL-[PC,3PIN,7PIN,Blank]	120-277	73	8091	111.6	5.2	0.998	4000
CCM-LED81A41-B-5K-T5-XXX-DIM-CL-[PC,3PIN,7PIN,Blank]	120-277	73	8176	112.7	5.2	0.998	4900
CCM-LED81A41-L-3K-T3-XXX-DIM-CL-[PC,3PIN,7PIN,Blank]	480	75	8303	111.0	5.2	0.998	3000
CCM-LED81A41-L-4K-T3-XXX-DIM-CL-[PC,3PIN,7PIN,Blank]	480	75	8303	111.0	5.2	0.998	4000
CCM-LED81A41-L-5K-T3-XXX-DIM-CL-[PC,3PIN,7PIN,Blank]	480	75	8338	111.4	5.2	0.998	4900
CCM-LED81A41-L-3K-T4-XXX-DIM-CL-[PC,3PIN,7PIN,Blank]	480	75	8451	112.9	5.2	0.998	3000
CCM-LED81A41-L-4K-T4-XXX-DIM-CL-[PC,3PIN,7PIN,Blank]	480	75	8577	114.6	5.2	0.998	4000
CCM-LED81A41-L-5K-T4-XXX-DIM-CL-[PC,3PIN,7PIN,Blank]	480	75	8610	115.1	5.2	0.998	4900
CCM-LED81A41-L-3K-T5-XXX-DIM-CL-[PC,3PIN,7PIN,Blank]	480	73	8108	111.8	5.2	0.998	3000
CCM-LED81A41-L-4K-T5-XXX-DIM-CL-[PC,3PIN,7PIN,Blank]	480	73	8047	110.9	5.2	0.998	4000
CCM-LED81A41-L-5K-T5-XXX-DIM-CL-[PC,3PIN,7PIN,Blank]	480	73	8092	111.6	5.2	0.998	4900

CCM-LED110

SPECIFICATIONS							
Model Number	Voltage (V)	Power (W)	Light Output (lm)	Efficacy (lm/W)	THD (%)	PF	CCT (K)
CCM-LED110-B-3K-T3-XXX-DIM-CL-[PC,3PIN,7PIN,Blank]	120-277	103	10708	104.7	5.2	0.998	3000
CCM-LED110-B-4K-T3-XXX-DIM-CL-[PC,3PIN,7PIN,Blank]	120-277	103	10829	105.3	5.2	0.998	4000
CCM-LED110-B-5K-T3-XXX-DIM-CL-[PC,3PIN,7PIN,Blank]	120-277	103	10886	105.8	5.2	0.998	4900
CCM-LED110-B-3K-T4-XXX-DIM-CL-[PC,3PIN,7PIN,Blank]	120-277	101	10640	105.3	5.3	0.997	3000
CCM-LED110-B-4K-T4-XXX-DIM-CL-[PC,3PIN,7PIN,Blank]	120-277	101	10794	106.9	5.3	0.997	4000
CCM-LED110-B-5K-T4-XXX-DIM-CL-[PC,3PIN,7PIN,Blank]	120-277	101	10956	108.5	5.3	0.997	4900
CCM-LED110-B-3K-T5-XXX-DIM-CL-[PC,3PIN,7PIN,Blank]	120-277	100	10440	104.7	5.2	0.998	3000
CCM-LED110-B-4K-T5-XXX-DIM-CL-[PC,3PIN,7PIN,Blank]	120-277	100	10495	105.2	5.2	0.998	4000
CCM-LED110-B-5K-T5-XXX-DIM-CL-[PC,3PIN,7PIN,Blank]	120-277	100	10550	105.8	5.2	0.998	4900
CCM-LED110-L-3K-T3-XXX-DIM-CL-[PC,3PIN,7PIN,Blank]	480	103	10775	104.7	4.0	0.9979	3000
CCM-LED110-L-4K-T3-XXX-DIM-CL-[PC,3PIN,7PIN,Blank]	480	103	10804	105.0	4.0	0.9979	4000
CCM-LED110-L-5K-T3-XXX-DIM-CL-[PC,3PIN,7PIN,Blank]	480	103	10833	105.3	4.0	0.9979	4900

Model Number	Voltage (V)	Power (W)	Light Output (lm)	Efficacy (lm/W)	THD (%)	PF	CCT (K)
CCM-LED110-L-3K-T4-XXX-DIM-CL-[PC,3PIN,7PIN,Blank]	480	104	11119	106.9	4.0	0.9979	3000
CCM-LED110-L-4K-T4-XXX-DIM-CL-[PC,3PIN,7PIN,Blank]	480	104	11286	108.5	4.0	0.9979	4000
CCM-LED110-L-5K-T4-XXX-DIM-CL-[PC,3PIN,7PIN,Blank]	480	104	11455	110.1	4.0	0.9979	4900
CCM-LED110-L-3K-T5-XXX-DIM-CL-[PC,3PIN,7PIN,Blank]	480	101	10740	106.3	7.0	0.997	3000
CCM-LED110-L-4K-T5-XXX-DIM-CL-[PC,3PIN,7PIN,Blank]	480	101	10688	105.8	7.0	0.997	4000
CCM-LED110-L-5K-T5-XXX-DIM-CL-[PC,3PIN,7PIN,Blank]	480	104	10952	105.3	4.0	0.9979	4900

CCM-LED110A41

SPECIFICATIONS							
Model Number	Voltage (V)	Power (W)	Light Output (lm)	Efficacy (lm/W)	THD (%)	PF	CCT (K)
CCM-LED110A41-B-3K-T3-XXX-DIM-CL-[PC,3PIN,7PIN,Blank]	120-277	103	10708	104.7	5.2	0.998	3000
CCM-LED110A41-B-4K-T3-XXX-DIM-CL-[PC,3PIN,7PIN,Blank]	120-277	103	10829	105.3	5.2	0.998	4000
CCM-LED110A41-B-5K-T3-XXX-DIM-CL-[PC,3PIN,7PIN,Blank]	120-277	103	10886	105.8	5.2	0.998	4900
CCM-LED110A41-B-3K-T4-XXX-DIM-CL-[PC,3PIN,7PIN,Blank]	120-277	101	10640	105.3	5.3	0.997	3000
CCM-LED110A41-B-4K-T4-XXX-DIM-CL-[PC,3PIN,7PIN,Blank]	120-277	101	10794	106.9	5.3	0.997	4000
CCM-LED110A41-B-5K-T4-XXX-DIM-CL-[PC,3PIN,7PIN,Blank]	120-277	101	10956	108.5	5.3	0.997	4900
CCM-LED110A41-B-3K-T5-XXX-DIM-CL-[PC,3PIN,7PIN,Blank]	120-277	100	10440	104.7	5.2	0.998	3000
CCM-LED110A41-B-4K-T5-XXX-DIM-CL-[PC,3PIN,7PIN,Blank]	120-277	100	10495	105.2	5.2	0.998	4000
CCM-LED110A41-B-5K-T5-XXX-DIM-CL-[PC,3PIN,7PIN,Blank]	120-277	100	10550	105.8	5.2	0.998	4900
CCM-LED110A41-L-3K-T3-XXX-DIM-CL-[PC,3PIN,7PIN,Blank]	480	103	10775	104.7	4.0	0.9979	3000
CCM-LED110A41-L-4K-T3-XXX-DIM-CL-[PC,3PIN,7PIN,Blank]	480	103	10804	105.0	4.0	0.9979	4000
CCM-LED110A41-L-5K-T3-XXX-DIM-CL-[PC,3PIN,7PIN,Blank]	480	103	10833	105.3	4.0	0.9979	4900
CCM-LED110A41-L-3K-T4-XXX-DIM-CL-[PC,3PIN,7PIN,Blank]	480	104	11119	106.9	4.0	0.9979	3000
CCM-LED110A41-L-4K-T4-XXX-DIM-CL-[PC,3PIN,7PIN,Blank]	480	104	11286	108.5	4.0	0.9979	4000
CCM-LED110A41-L-5K-T4-XXX-DIM-CL-[PC,3PIN,7PIN,Blank]	480	104	11455	110.1	4.0	0.9979	4900
CCM-LED110A41-L-3K-T5-XXX-DIM-CL-[PC,3PIN,7PIN,Blank]	480	101	10740	106.3	7.0	0.997	3000
CCM-LED110A41-L-4K-T5-XXX-DIM-CL-[PC,3PIN,7PIN,Blank]	480	101	10688	105.8	7.0	0.997	4000
CCM-LED110A41-L-5K-T5-XXX-DIM-CL-[PC,3PIN,7PIN,Blank]	480	104	10952	105.3	4.0	0.9979	4900

CCM-LED110A81

SPECIFICATIONS							
Model Number	Voltage (V)	Power (W)	Light Output (lm)	Efficacy (lm/W)	THD (%)	PF	CCT (K)
CCM-LED110A81-B-3K-T3-XXX-DIM-CL-[PC,3PIN,7PIN,Blank]	120-277	103	10708	104.7	5.2	0.998	3000
CCM-LED110A81-B-4K-T3-XXX-DIM-CL-[PC,3PIN,7PIN,Blank]	120-277	103	10829	105.3	5.2	0.998	4000
CCM-LED110A81-B-5K-T3-XXX-DIM-CL-[PC,3PIN,7PIN,Blank]	120-277	103	10886	105.8	5.2	0.998	4900
CCM-LED110A81-B-3K-T4-XXX-DIM-CL-[PC,3PIN,7PIN,Blank]	120-277	101	10640	105.3	5.3	0.997	3000
CCM-LED110A81-B-4K-T4-XXX-DIM-CL-[PC,3PIN,7PIN,Blank]	120-277	101	10794	106.9	5.3	0.997	4000
CCM-LED110A81-B-5K-T4-XXX-DIM-CL-[PC,3PIN,7PIN,Blank]	120-277	101	10956	108.5	5.3	0.997	4900
CCM-LED110A81-B-3K-T5-XXX-DIM-CL-[PC,3PIN,7PIN,Blank]	120-277	100	10440	104.7	5.2	0.998	3000
CCM-LED110A81-B-4K-T5-XXX-DIM-CL-[PC,3PIN,7PIN,Blank]	120-277	100	10495	105.2	5.2	0.998	4000
CCM-LED110A81-B-5K-T5-XXX-DIM-CL-[PC,3PIN,7PIN,Blank]	120-277	100	10550	105.8	5.2	0.998	4900
CCM-LED110A81-L-3K-T3-XXX-DIM-CL-[PC,3PIN,7PIN,Blank]	480	103	10775	104.7	4.0	0.9979	3000
CCM-LED110A81-L-4K-T3-XXX-DIM-CL-[PC,3PIN,7PIN,Blank]	480	103	10804	105.0	4.0	0.9979	4000
CCM-LED110A81-L-5K-T3-XXX-DIM-CL-[PC,3PIN,7PIN,Blank]	480	103	10833	105.3	4.0	0.9979	4900
CCM-LED110A81-L-3K-T4-XXX-DIM-CL-[PC,3PIN,7PIN,Blank]	480	104	11119	106.9	4.0	0.9979	3000
CCM-LED110A81-L-4K-T4-XXX-DIM-CL-[PC,3PIN,7PIN,Blank]	480	104	11286	108.5	4.0	0.9979	4000
CCM-LED110A81-L-5K-T4-XXX-DIM-CL-[PC,3PIN,7PIN,Blank]	480	104	11455	110.1	4.0	0.9979	4900
CCM-LED110A81-L-3K-T5-XXX-DIM-CL-[PC,3PIN,7PIN,Blank]	480	101	10740	106.3	7.0	0.997	3000
CCM-LED110A81-L-4K-T5-XXX-DIM-CL-[PC,3PIN,7PIN,Blank]	480	101	10688	105.8	7.0	0.997	4000
CCM-LED110A81-L-5K-T5-XXX-DIM-CL-[PC,3PIN,7PIN,Blank]	480	104	10952	105.3	4.0	0.9979	4900