

INSTALLATION INSTRUCTIONS**ELECTRICAL SHOCK HAZARD**

READ, UNDERSTAND, and FOLLOW these instructions before installing the equipment.

WARNING

Disconnect the Electrical supply power at the service panel (fuse or circuit breaker box). Failure to do so could result in serious injury or death. Only qualified electricians should install this fixture and the installation **MUST** conform to the Electrical Code and all local codes and ordinances. Ensure that only proper tools, materials, and equipment are used to complete the installation.

SAFETY

- Proper grounding is required to ensure personal safety.
- Fixture should be mounted in locations where unauthorized personnel will not readily subject it to tampering.
- Do not use this equipment for anything other than its intended purpose.
- Servicing this equipment should be performed by qualified service personnel.
- Save these instructions.

INSTALLATION**PLM**

1. Remove the fixture from the pole adapter.
2. Insert the plate inside the pole and attach the pole adapter to the plate.
Figure 1.
3. *Use a flat pole adapter on a flat pole. Figure 2.
4. Make appropriate wiring connections as per wiring diagram.
5. Close the pole adapter door and secure with a screw.

POST TOP

1. **For PT1A ONLY:** Using the bolts provided, attach the ARM to the fixture. *Figure 3*
2. Loosen the set screws from the fixture. *Figure 4 & 5.*
3. Make appropriate wiring connections as per wiring diagram.
4. Carefully place the fixture on a pole with a 2.375in (60.325mm) adapter.
Figure 4 & 5.
5. CAUTION: Pay attention not to pinch any wiring.
6. Tighten set screws to secure fixture. *Figure 4 & 5.*

INSTALLATION INSTRUCTIONS

Mounting System

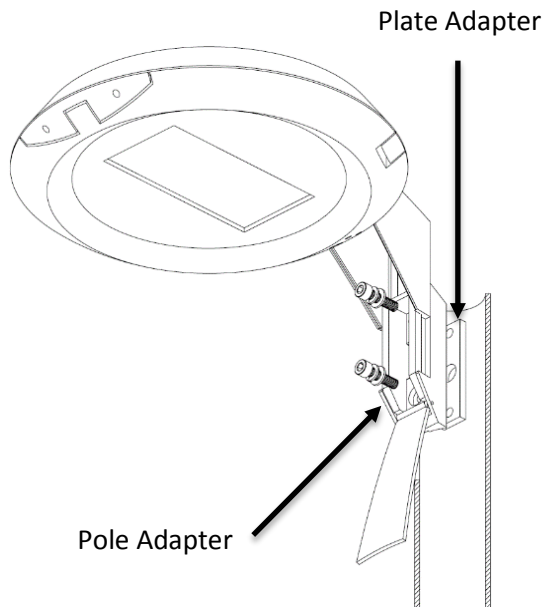


Figure 1

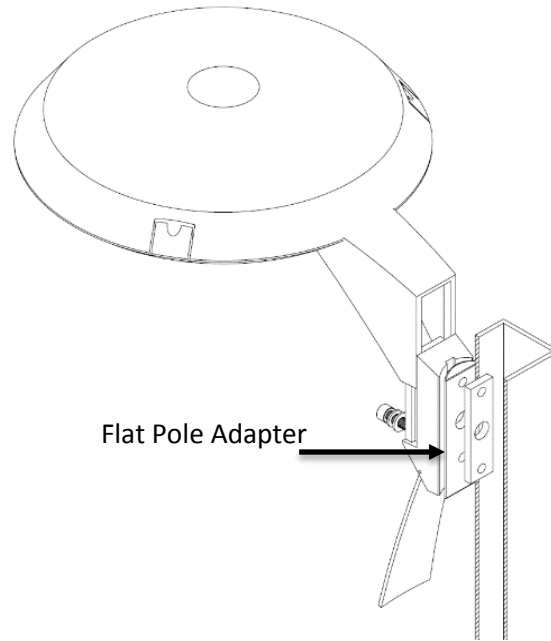


Figure 2

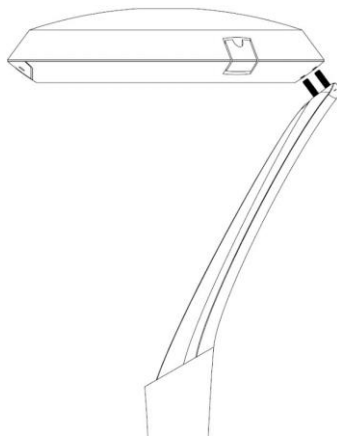


Figure 3

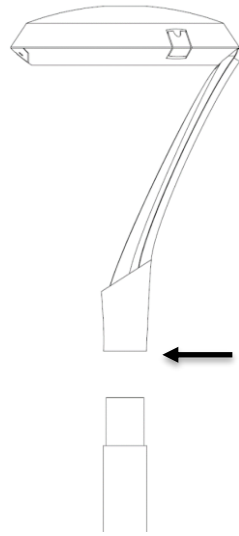


Figure 4

Set screws

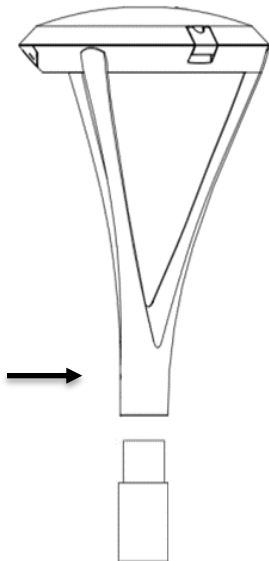


Figure 5

WIRING

- Check that the line voltage is correct.
- Connect fixture GROUND (green) wire to power supply GROUND (green) wire.
- Connect fixture WHITE wire to power supply NEUTRAL wire.
- Connect fixture BLACK wire to power supply LINE wire
- If the fixture includes 0-10V dimming functionality, connect GREY and VIOLET wires to the dimming controller.

