

The DVAKS is an energy efficient LED vaporproof fixture that can be used for industrial and architectural applications. This series of fixtures comprises the DVAKS-LED which can be ceiling mounted, the DVBKS-LED which can be wall mounted and the DVCS-LED which can be pendant mounted.



APPLICATIONS

Ideal for industrial and architectural applications such as entrances, stairwells, mandors, outdoor walkways, tunnels and service areas.

Project	
Type	
Date	
Notes	

SPECIFICATIONS

Construction

Precision die cast aluminum housing with natural aluminum finish. Highly efficient heat sink design maintains the junction temperature significantly below the recommended maximum ratings ensuring extended fixture life. Frosted lens is standard. The fixture is rated IP65 and suitable for outdoor use.

Electrical

Total system wattage of the unit is 14W. The standard unit has a high efficiency driver that operates at 120 - 277V.

LED Configuration

The DVAKS-LED has an LED array that has a lumen output of minimum 1,400 lumens. The LEDs have a standard color temperature of 5000K, 3000K or 4000K available as options. The LEDs have a CRI of greater than 77 and an operating temperature range of -40°C to +40°C.

Finish

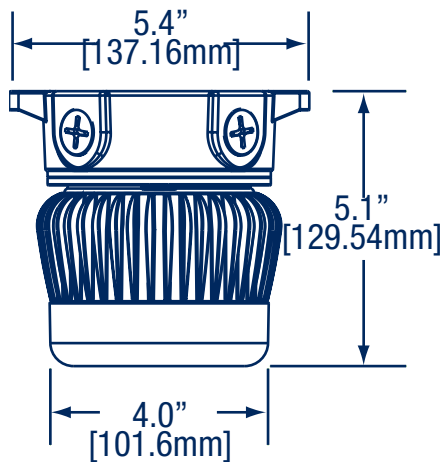
Standard finish is Natural aluminum.

Accessories

Various Globe and Guard Accessories sold separately. Existing incandescent VAKS / DVAKS series globe and guard will fit new LED fixture.

Watts	14W
Lumens	min. 1,400
Efficacy	min. 100 lumens/watt
Certification	cULus, IP66
LED Life	100,000 hours
Color Temperature	5000K (standard) 4000K (option) 3000K (option)
Warranty	5 Years
Operating temperature	-40°C to +40°C

DIMENSIONAL DATA



DVAKS-LED
Ceiling mount



OTHER MOUNTING OPTIONS



DVCS-LED
Pendant mount



DVBKS-LED
Wall mount

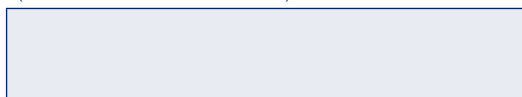
AVAILABLE OPTIONS (SOLD SEPARATELY)



ORDERING GUIDE - FIXTURE

DVAKS	-	LED14	-	B	-		-	
				VOLTAGE		COLOR TEMP		FINISH
				B - 120 - 277V*		5K - 5000K* 4K - 4000K 3K - 3000K		NAT - NATURAL ALUMINUM*
								LENS
								FR - FROSTED POLYCARBONATE LENS*

ORDERING GUIDE - ACCESSORIES
(SOLD SEPARATELY)



GLOOPR PRISMATIC GLASS

GL100F FROSTED GLASS

GL100 CLEAR GLASS

RGL100A (AMBER)

RGL100B (BLUE)

RGL100G (GREEN)

RGL100R (RED)

GL100PGO (POLYCARBONATE WHITE)

GD100CGS - GUARD

* Standard configuration