



SKYLINE-LED75

LED Area Light

SPECIFICATIONS*

Watts	73W
Lumens	8148
Efficacy	112.3 lm/W
Replaces Up To	250W MH
Color Temp	5000K, 4000K*, 3000K
Operating Temp	-40°C to +40°C
Voltage	120-277V*, 480V
LED Life (L80)	>100,000 hours
Beam Distribution	Type V*, Type II, Type III, Type IV
Certification	cETLus, DLC
Housing Material	Die Cast Aluminum
Lens	Clear Glass
Power Factor	0.990
Total Harmonic Distortion	10.0%
CRI	>70
Mounting	Post top Mounting , 2-3/8" tenon, Pole Mount
Controls	Photocell, 3/7 PIN Receptacle



SKYLINE-PT3A
3 Arm Post Top



SKYLINE-PT1A
Curved Arm
Post Top



SKYLINE-PLM
Pole Mount Arm
For Round or
Square Poles



DESCRIPTION

SKYLINE is an architectural post top area light featuring a modern, European look. Intelligently designed, this fixture provides advanced optics available with Type II, Type III, Type IV, Type V options.

APPLICATIONS



Condos



Pathways



Commercial
Properties

FEATURES

- Sleek modern design.
- Mounting options include traditional 3 arm post top, stylish curved arm with post top, and the elegant pole mount arm for round or square poles.
- Photocell, 3/7 PIN Receptacle are optional.
- 10KV surge protection is standard.
- Advanced optics available with Type II, Type III, Type IV, Type V options.

*The above specs are for our standard configuration SKY-LED75-B-4K-T5-BLK-DIM.

OTHER MODEL SPECIFICATIONS

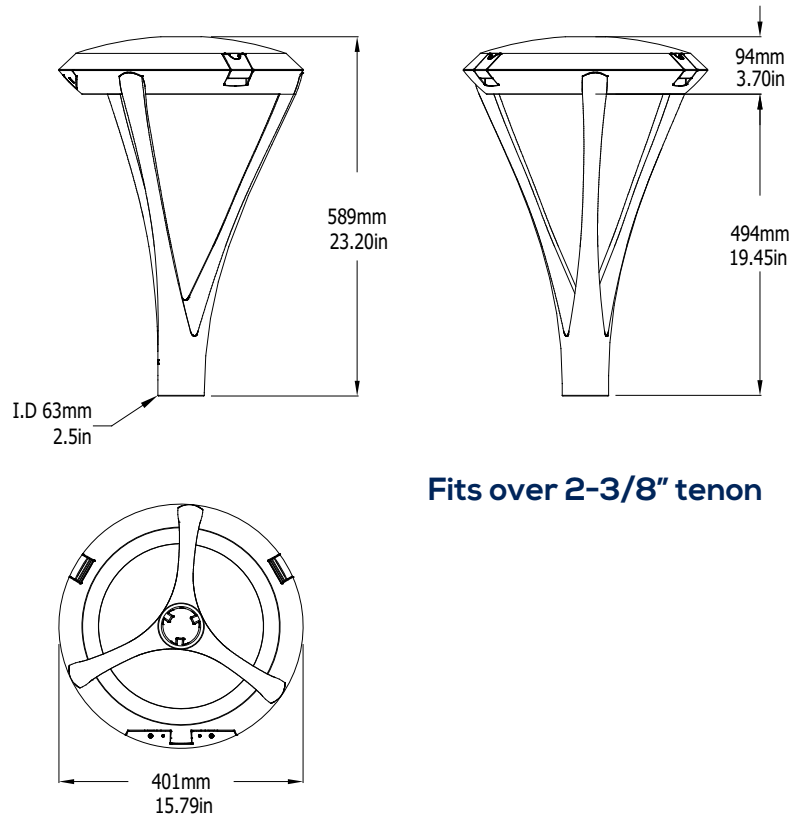
DESCRIPTION	VOLTAGE (V)	INPUT POWER (W)	LIGHT OUTPUT (LM)	EFFICACY (LM/W)	THD (%)	PF	CCT (K)	B-U-G
SKY-LED75-B-3K-T2-XXX-DIM-[PC,Blank]	120-277	73	8342	115.0	10.0	0.990	3000	2-2-1
SKY-LED75-B-4K-T2-XXX-DIM-[PC,Blank]	120-277	73	8342	115.0	10.0	0.990	4000	2-2-1
SKY-LED75-B-5K-T2-XXX-DIM-[PC,Blank]	120-277	73	8491	117.0	10.0	0.990	5000	2-2-1
SKY-LED75-L-3K-T2-XXX-DIM-[PC,Blank]	480	78	8342	106.6	10.0	0.990	3000	2-2-1
SKY-LED75-L-4K-T2-XXX-DIM-[PC,Blank]	480	78	8342	106.6	10.0	0.990	4000	2-2-1
SKY-LED75-L-5K-T2-XXX-DIM-[PC,Blank]	480	78	8491	108.6	10.0	0.990	5000	2-2-1
SKY-LED75-B-3K-T3-XXX-DIM-[PC,Blank]	120-277	73	8342	115.0	10.0	0.990	3000	2-2-1
SKY-LED75-B-4K-T3-XXX-DIM-[PC,Blank]	120-277	73	8342	115.0	10.0	0.990	4000	2-2-1
SKY-LED75-B-5K-T3-XXX-DIM-[PC,Blank]	120-277	73	8491	117.0	10.0	0.990	5000	2-2-1
SKY-LED75-L-3K-T3-XXX-DIM-[PC,Blank]	480	78	8342	106.6	10.0	0.990	3000	2-2-1
SKY-LED75-L-4K-T3-XXX-DIM-[PC,Blank]	480	78	8342	106.6	10.0	0.990	4000	2-2-1
SKY-LED75-L-5K-T3-XXX-DIM-[PC,Blank]	480	78	8491	108.6	10.0	0.990	5000	2-2-1
SKY-LED75-B-3K-T4-XXX-DIM-[PC,Blank]	120-277	75	8474	113.6	10.0	0.990	3000	2-2-1
SKY-LED75-B-4K-T4-XXX-DIM-[PC,Blank]	120-277	75	8474	113.6	10.0	0.990	4000	2-2-1
SKY-LED75-B-5K-T4-XXX-DIM-[PC,Blank]	120-277	75	8560	114.7	10.0	0.990	5000	2-2-1
SKY-LED75-L-3K-T4-XXX-DIM-[PC,Blank]	480	81	8474	104.7	10.0	0.990	3000	2-2-1
SKY-LED75-L-4K-T4-XXX-DIM-[PC,Blank]	480	81	8474	104.7	10.0	0.990	4000	2-2-1
SKY-LED75-L-5K-T4-XXX-DIM-[PC,Blank]	480	81	8560	106.2	10.0	0.990	5000	2-2-1
SKY-LED75-B-3K-T5-XXX-DIM-[PC,Blank]	120-277	73	8148	112.3	10.0	0.990	3000	2-2-1
SKY-LED75-B-4K-T5-XXX-DIM-[PC,Blank]	120-277	73	8148	112.3	10.0	0.990	4000	2-2-1
SKY-LED75-B-5K-T5-XXX-DIM-[PC,Blank]	120-277	73	8639	119.1	10.0	0.990	5000	2-2-1
SKY-LED75-L-3K-T5-XXX-DIM-[PC,Blank]	480	78	8148	104.1	10.0	0.990	3000	2-2-1
SKY-LED75-L-4K-T5-XXX-DIM-[PC,Blank]	480	78	8148	104.1	10.0	0.990	4000	2-2-1
SKY-LED75-L-5K-T5-XXX-DIM-[PC,Blank]	480	78	8639	110.4	10.0	0.990	5000	2-2-1

LEGEND

B - 120V-277V, L - 480V
 4K - 4000K, 5K - 5000K, 3K - 3000K
 XX- BEAM TYPE
 XXX - HOUSING FINISH
 DIM - 0-10V DIMMING
 PC - PHOTOCELL

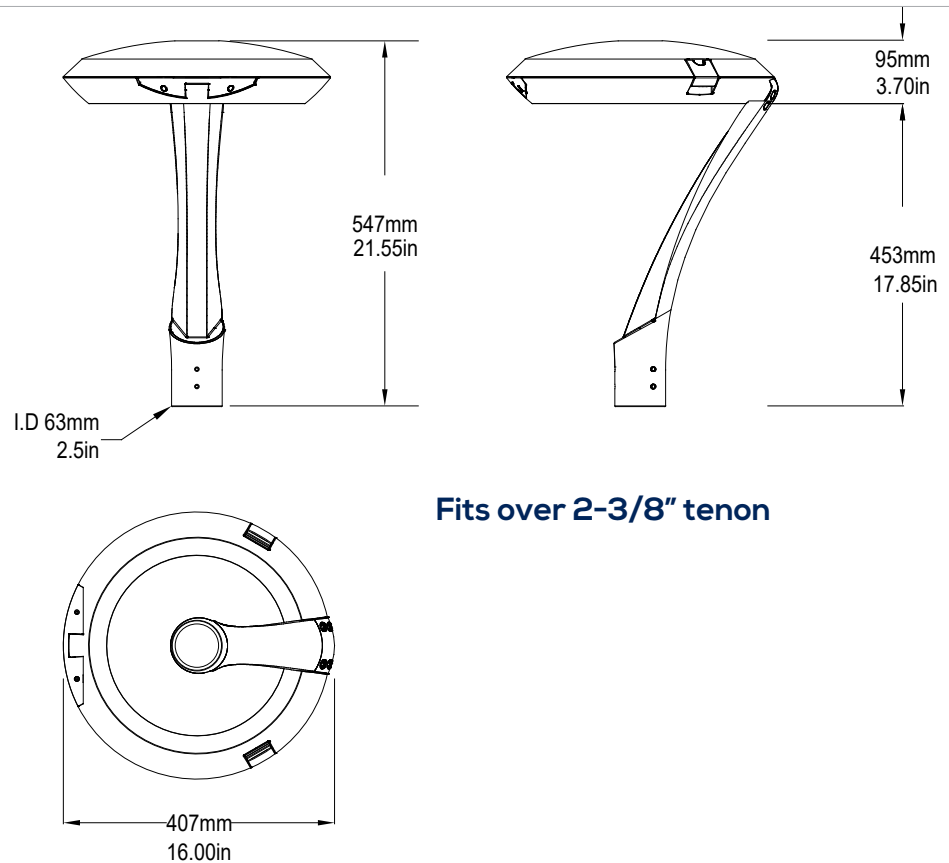
DIMENSIONS

SKYLINE-PT3A



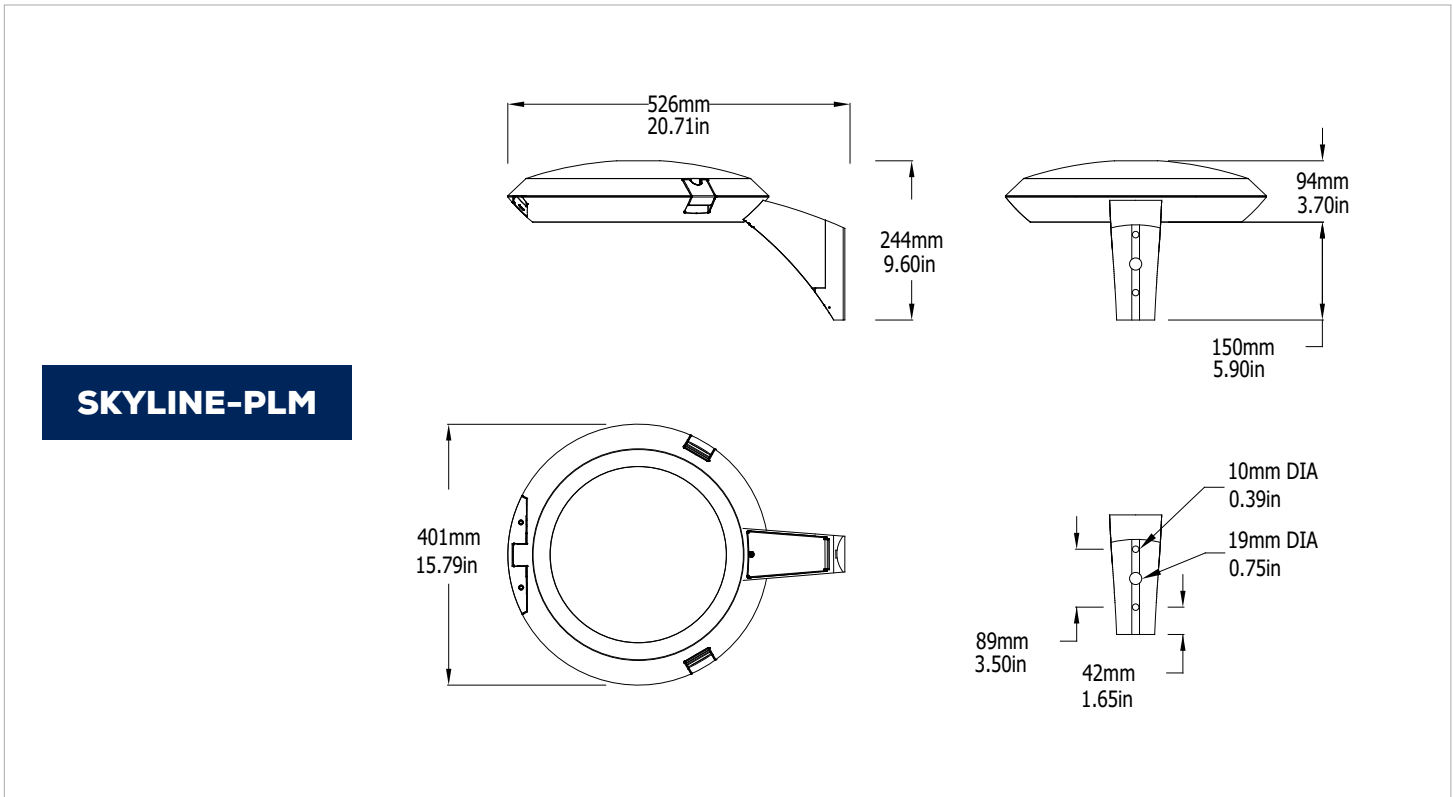
Fits over 2-3/8" tenon

SKYLINE-PT1A



Fits over 2-3/8" tenon

DIMENSIONS

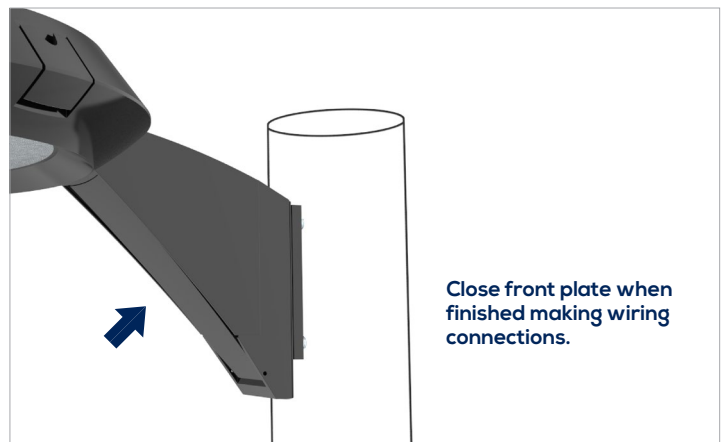
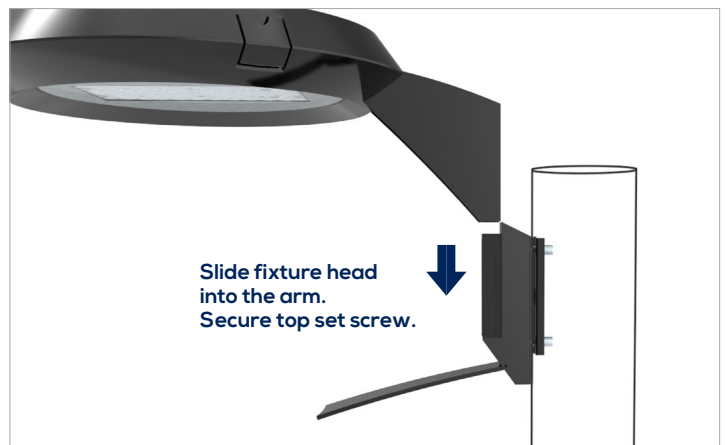
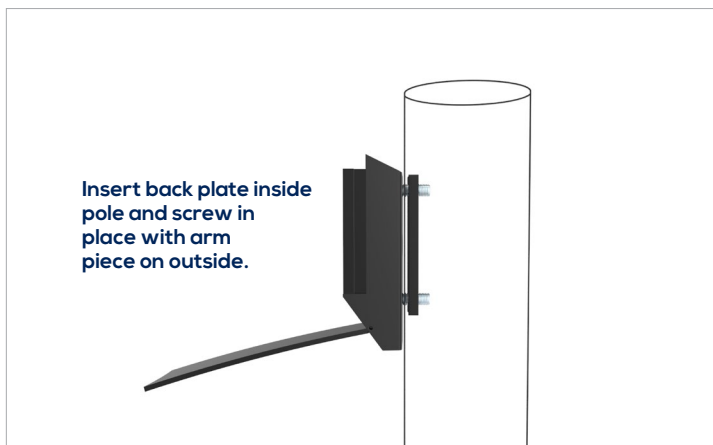
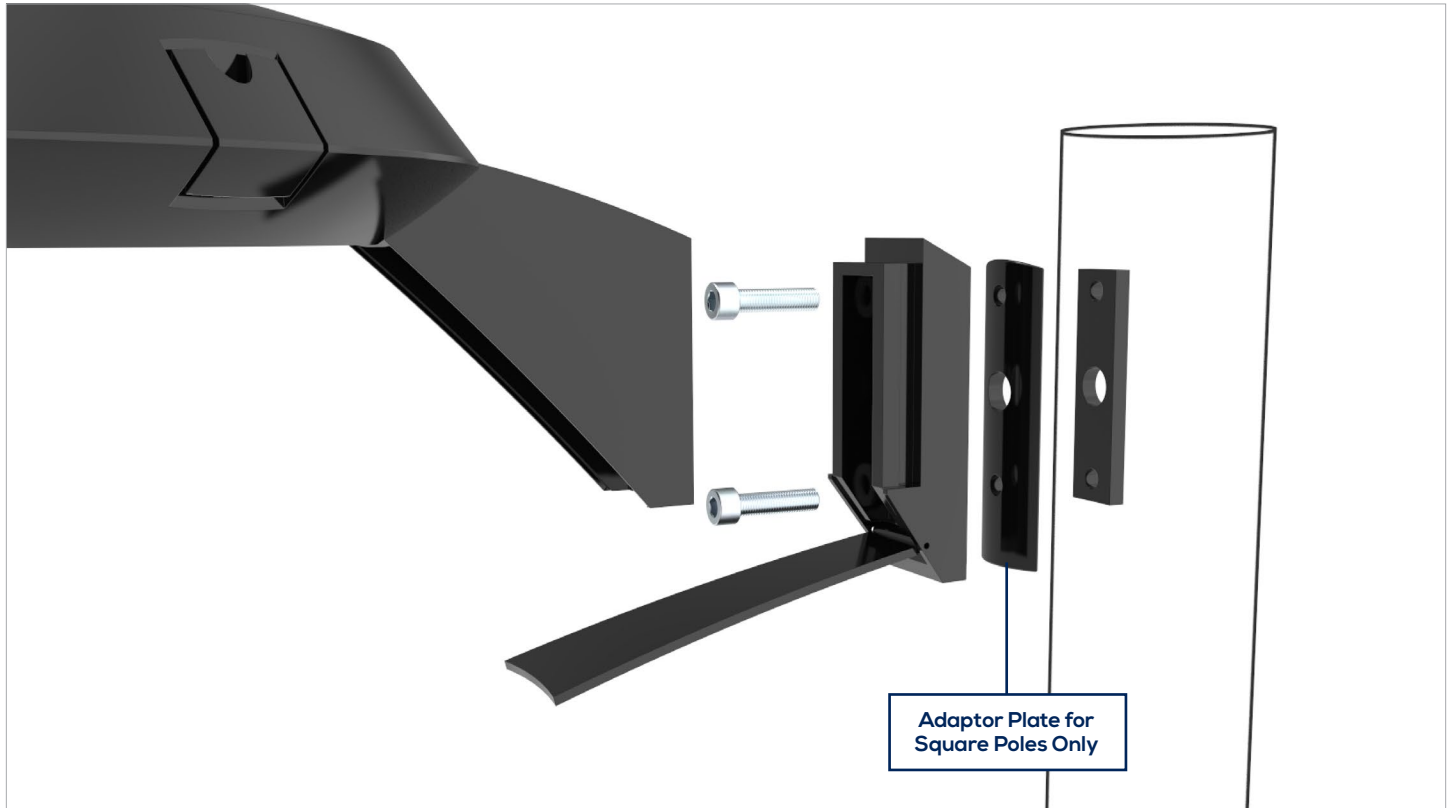


	EPA	WEIGHT
SKYLINE-PT1A	0.93	23 lbs
SKYLINE-PT3A	1.17	23 lbs
SKYLINE-PLM	0.66	23 lbs

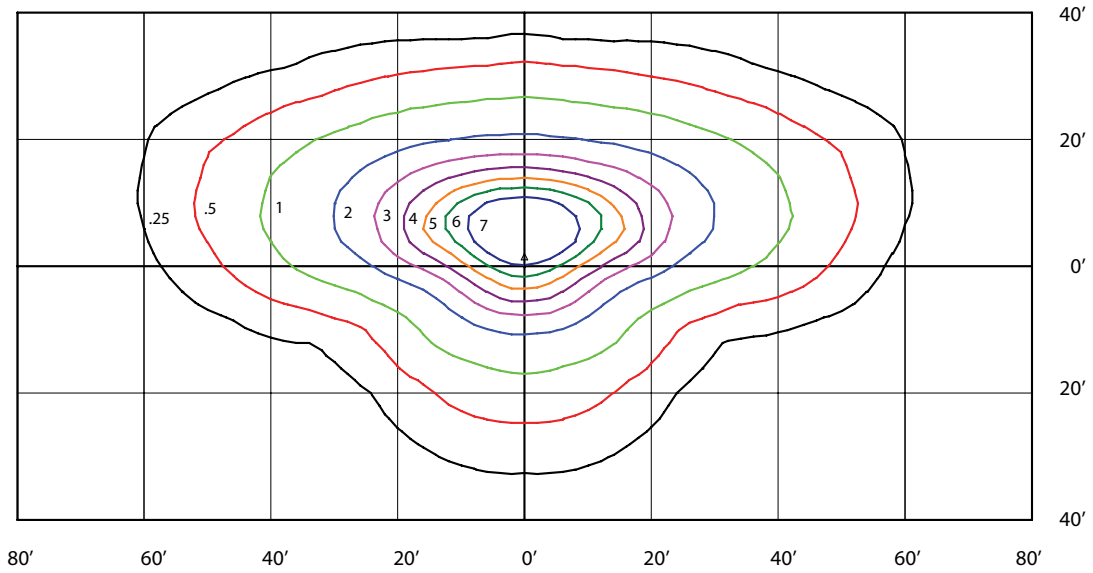
LUMEN MAINTENANCE			
	50,000 Hours	75,000 Hours	100,000 Hours
SKY-LED75	89%	84%	79%

AMPERAGE DRAW & SURGE PROTECTION							
	Current (A)					Surge Protection (kV)	
	120V	208V	240V	277V	480V	120-277V	480V
SKY-LED75	0.66A	0.38A	0.33A	0.29A	0.17A	10kV	10kV

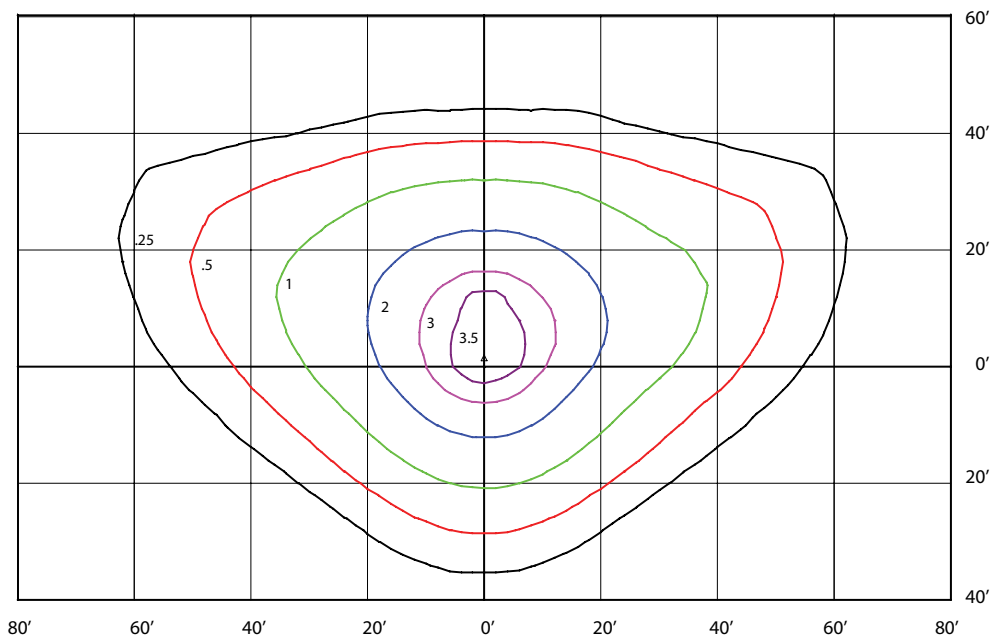
POLE ADAPTOR



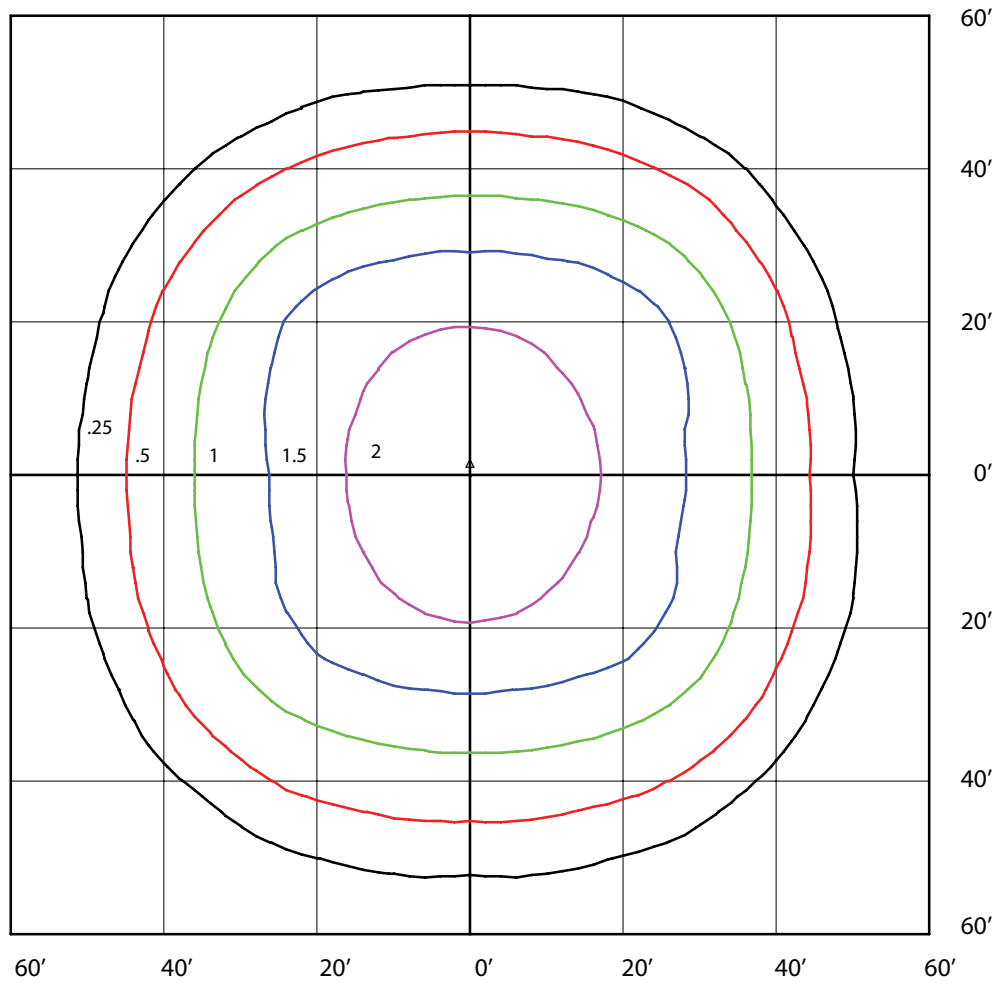
SKY-LED75-B-4K-T2-DIM-PLM
MOUNTED AT 20 FEET
MAXIMUM CALCULATED VALUE 9.08 Fc
TOTAL LUMENS 10067



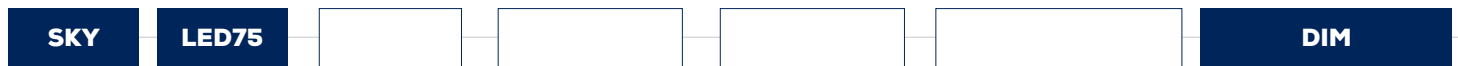
SKY-LED75-B-4K-T3-DIM-PLM
MOUNTED AT 20 FEET
MAXIMUM CALCULATED VALUE 3.8 Fc
TOTAL LUMENS 8807



SKY-LED75-B-4K-T5-DIM-PLM
MOUNTED AT 20 FEET
MAXIMUM CALCULATED VALUE 2.5 Fc
TOTAL LUMENS 10649



ORDERING GUIDE



WATTS	VOLTAGE	COLOR TEMP.	BEAM	FINISH	DIMMING
	B - 120 - 277V*	4K - 4000K*	T5 - TYPE 5*	BLK-BLACK*	DIM-0-10V DIMMING*
	L - 480V	5K - 5000K	T4 - TYPE 4	CC-CUSTOM COLORS	
		3K - 3000K	T3 - TYPE 3		
			T2 - TYPE 2		



MOUNTING	OPTIONS
PT3A - POST TOP MOUNT WITH 3 ARMS	PC - Photocell
PT1A - POST TOP MOUNT WITH CURVED ARM	7PIN - 7 PIN RECEPTACLE FOR SMART CONTROLS
PLM - POLE MOUNT ARM FOR ROUND or SQUARE POLES	3PIN - 3 PIN RECEPTACLE FOR ON/OFF PHOTOCELLS

*Standard Configuration.