



CPL14-LED30A18

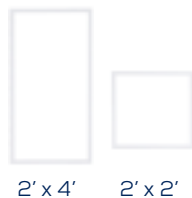
Lumen Adjustable | Color Selectable
Led Panels

SPECIFICATIONS

Watts	28W/24W/18W
Lumens	3500 max
Efficacy (Lm/W)	125 Lm/W
Color Temp	3.5K, 4K, 5K 4K (Default)
Operating Temp	-20°C to +40°C
Voltage	120-277V
THD	12.4%
Material	PMMA Lens (acrylic lens) Frame: Aluminum
Beam Angle	120°
Mounting	T-bar ceiling mount (standard), suspension or surface mount kits (optional)
Dimming	0-10V(10%-100%)
PF	>0.9
CRI	>80



Other Available sizes



DESCRIPTION

Ceiling panels with back-lit technology that provide uniform distribution, superior performance and reduced glare.

APPLICATIONS



Offices

Schools

Retails

Commercial
Spaces

FEATURES

- Lumen Adjustable and Colour Selectable Backlit LED Panels
- 3 switch settings for lumen adjustment - 28W/24W/18W
- 3 switch settings for colour selection - 3.5K/4K/5K
- Aluminum frame and PMMA lens.
- 1x4, 2x2, 2x4 panels in 3500K, 4000K or 5000K
- Standard units mount in T-grid ceiling applications
- Surface mount and suspension kits available

AMPERAGE DRAW & SURGE PROTECTION

CURRENT (A)				SURGE PROTECTION (kV)
120V	208V	240V	277V	120-277V
0.27A	0.16A	0.14A	0.12A	4kV

LUMEN MAINTENANCE

50,000 HOURS	75,000 HOURS	100,000 HOURS
90%	86%	82%

Weights (lbs)

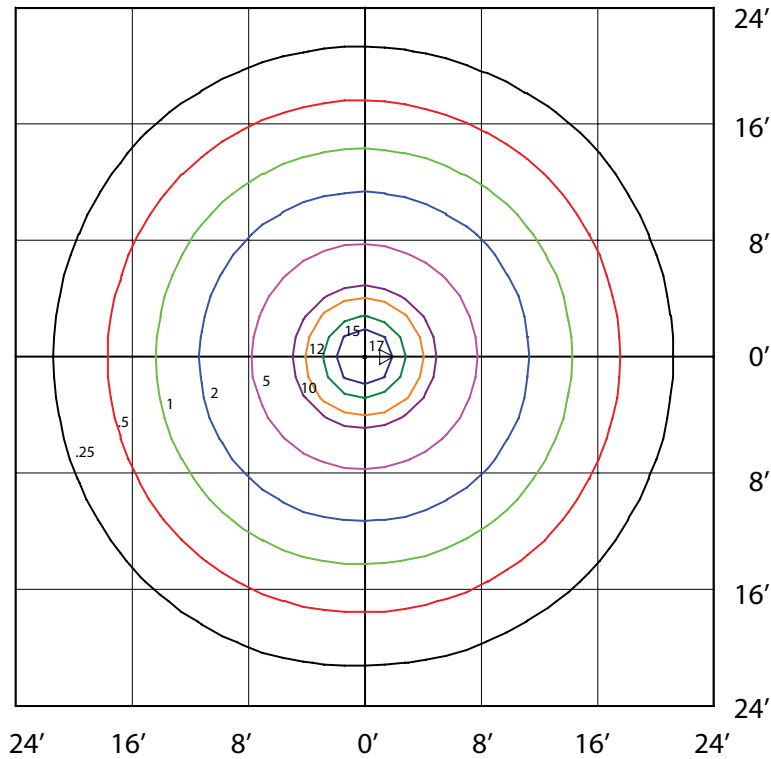
5.2

**CPL14-LED30-B-35K-DIM (CPL14-LED30A18-B-VK-DIM)
MOUNTED AT 8 FEET**

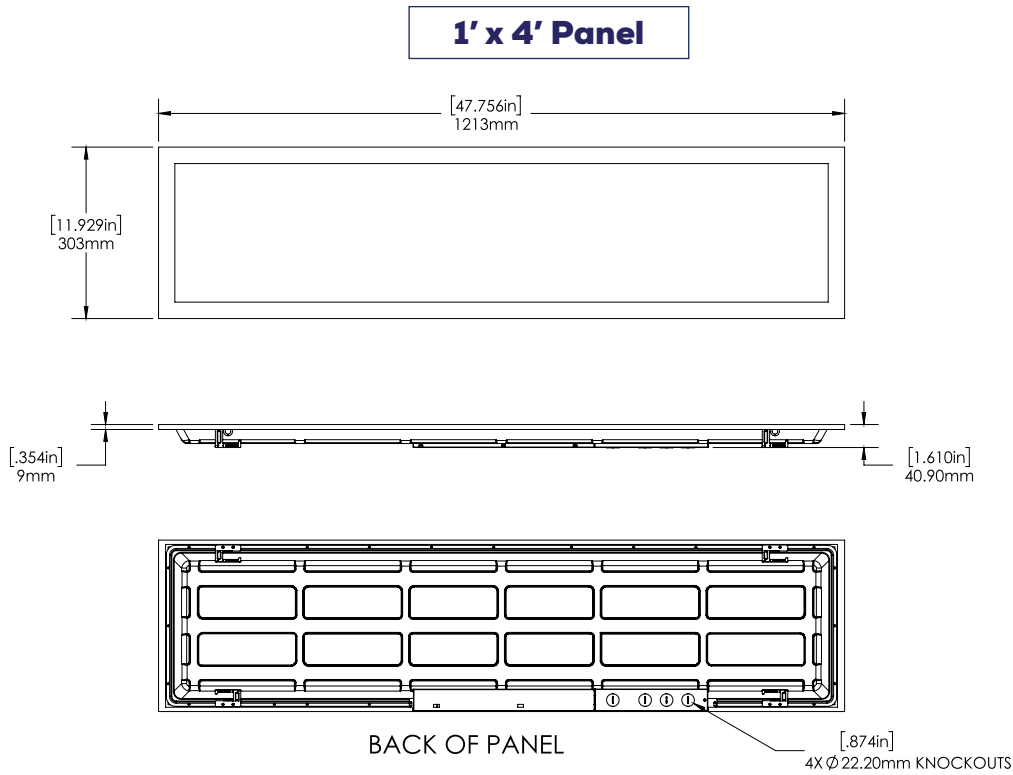
Total Lumens = 3629

Mounting Height = 8 Ft

Maximum Calculated Value = 19.14 Fc

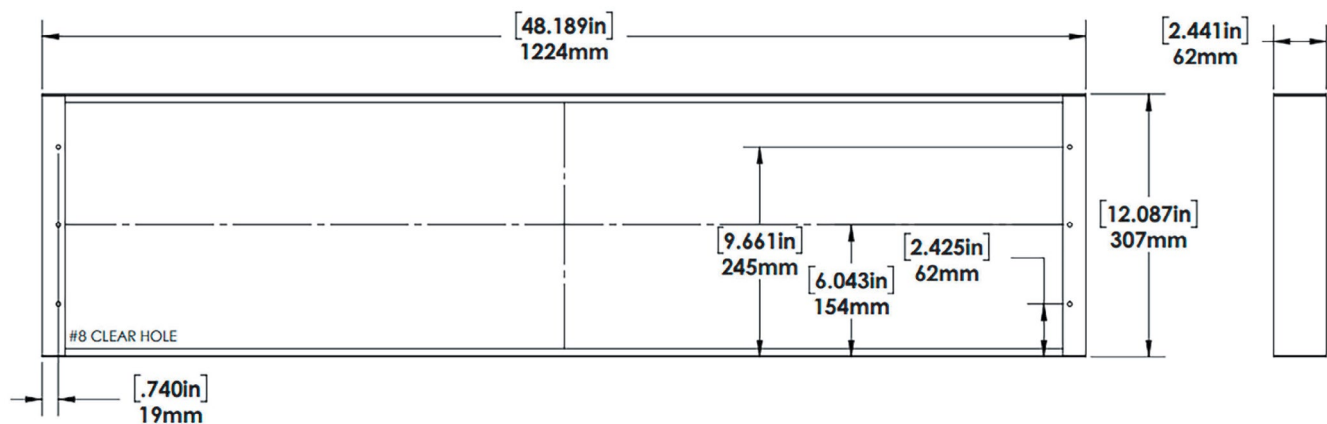


DIMENSIONS



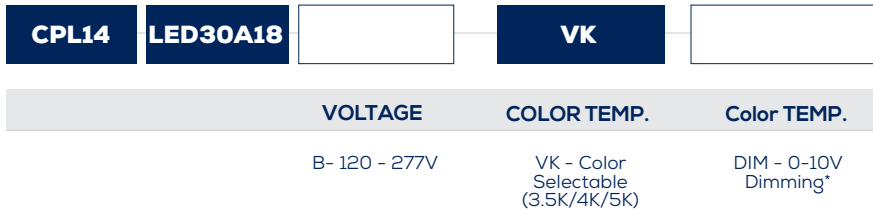
Note: Suspension Mounting Accessory Kit has a maximum length of 3.86 ft. and minimum length of 0.58 ft.

SURFACE MOUNTING KIT



ORDERING GUIDE

ACCESSORIES (OPTIONAL)



051808 - 2 CABLE SUSPENSION MOUNT KIT F/BACKLIT CPL

051937 - CPL14-LED30 SURFACE MOUNT KIT F/BACKLIT CPL

*Standard Configuration.