



# SLH4-LED Series

## High Lumen LED Strip Light



### Applications:

Shops, Cove Lighting, General Area Lighting.

### DESCRIPTION:

The SLH4-LED50 strip light provides a highly efficient lumen output of approx. 7000 lumens ideal for replacing 2 lamp T5 HO fixtures. The frosted linear lens provides uniform light distribution ideal for use in shops, coves and general area lighting.

### FEATURES:

- Steel sheet metal housing with polycarbonate lens.
- Knockouts on the back and end of housing.
- Fixture has 0-10V dimming driver.
- Connection plate included for connecting continuous runs.
- Microwave sensor option available (sold separately).
- Temperature operating range -30°C – 40°C (-22°F to 104°F).
- Connect up to 15 units in one run.
- Factory Installed Options - Dimming High Frequency Motion Sensor, Lutron Athena Wireless Lighting Control and Battery Back-up.
- Field Installed Options - Linear Ceiling Pendant Mount Kit, Reflector Wings Kit, Wire Cage, Remote Control, Lutron Athena Wireless smart control allows zone and control changes digitally and wirelessly. Lutron Athena Wireless smart control allows zone and control changes digitally and wirelessly.



#### Adjustable Wattage Unit

Fixture can be set to 20W, 30W, 40W or 50W with a switch at the time of installation.

### Colour Selectable Model Available:

Order the "SLH4-LED50A20-H-VK-DIM" to choose between 3000K, 4000K or 5000K at the time of installation.

SLH4-LED50A20-H-VK-DIM:	<b>COLOR SELECTABLE</b>
	<input type="checkbox"/> 3000K <input type="checkbox"/> 4000K <input type="checkbox"/> 5000K
SLH4-LED50A20-H-3.5K-DIM:	<b>3500K Warm White</b>

### Included In Every Box:



Junction Box Cover Plate



Mounting Bracket Clips



Connection Plate to Link Series

## SPECIFICATIONS:

	SLH4-LED50A20-H-3.5K-DIM	SLH4-LED50A20-H-VK-DIM
Watts	Max 51W adjustable to minimum 20W	Max 53 adjustable to minimum 20W
Voltage	120-277V	
Lumens	6777 (at 51W setting)	6976 (at 53W setting)
Efficacy	131.4	132.2
Replaces Up To	2 Lamp T5HO	
Colour Temperature	3500K	VK (3000K, 4000K, 5000K)
Colour Rendering Index (CRI)	80	
Operating Temperature	-30°C – 40°C (-22°F to 104°F)	
Housing Material	Steel Sheet Metal	
Lens Material	Polycarbonate	
Finish	White	
Accessories Included	Junction Box Cover Plate, Mounting Bracket Clips, Connect Plate (to Link Series)	
Accessories Sold Separately	Wire Guard, Reflector Wings, Linear Ceiling Pendant Mounting Kit	
Factory Installed Options	Dimming High Frequency Motion Sensor	
THD (%)	3.95	4.35
PF	0.970	0.997
LED Life	50,000 hours	

Standard Fixtures	Weight (lbs)
SLH4	5

AMPERAGE DRAW & SURGE PROTECTION					
	Current (A)				Surge Protection (kV)
	120V	208V	240V	277V	120-277V
SLH4	0.44A	0.26A	0.22A	0.19A	2kV

LUMEN MAINTENANCE			
	50,000 Hours	75,000 Hours	100,000 Hours
SLH4	88%	82%	77%

LUMEN ADJUSTABLE SETTINGS				
SLH4-LED50A20-B-3.5K-DIM				
WATTS	20	30	40	50
LUMENS	2658	3986	5315	6777
SLH4-LED50A20-B-VK-DIM				
WATTS	20	30	40	50
LUMENS	2632	3949	5265	6976

## LINEAR CEILING PENDANT MOUNTING KIT:

### Linear Ceiling Pendant Mounting Kit

Contains 2 x 5 foot aircraft cables with ceiling mounting plates, fixture mounting rod and nut, 6 drywall anchors, and 6 screws.



## MOTION SENSOR:

### Motion Sensor

Dimming microwave sensor for low bay areas from 8 to 20 feet height at 48' diameter. Adjustable settings with remote control.



## REFLECTOR WINGS KIT:

### Reflector Wings Kit

Wings attach by inserting tabs into the cutouts on the fixture.



## WIRE GUARD:

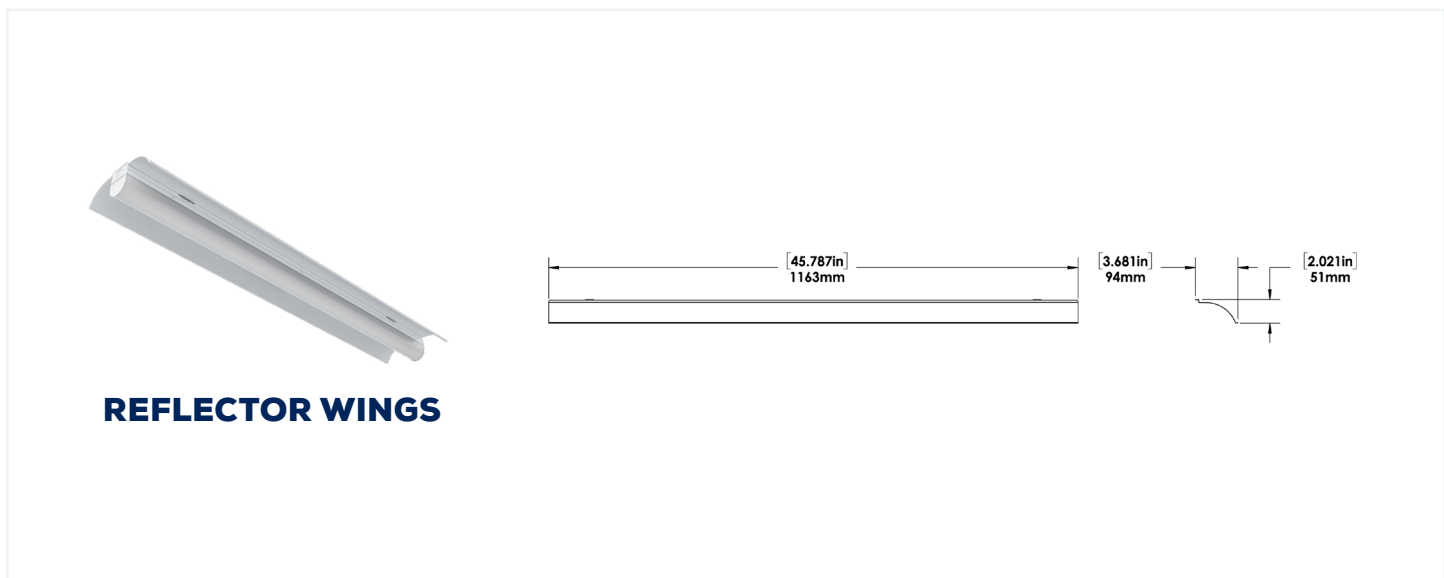
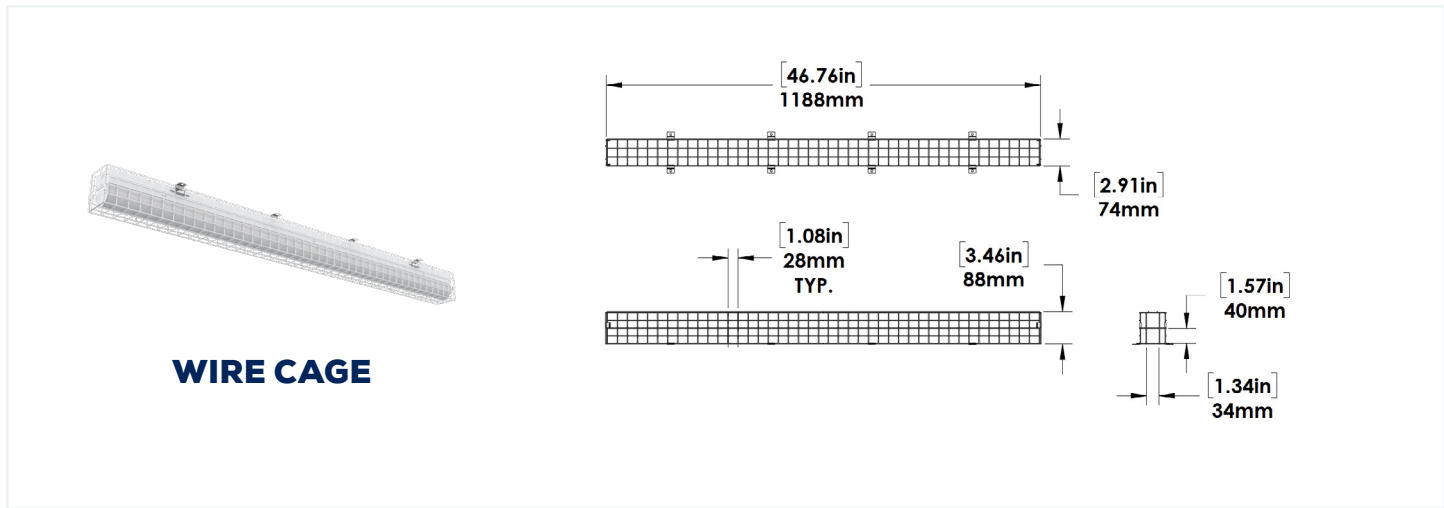
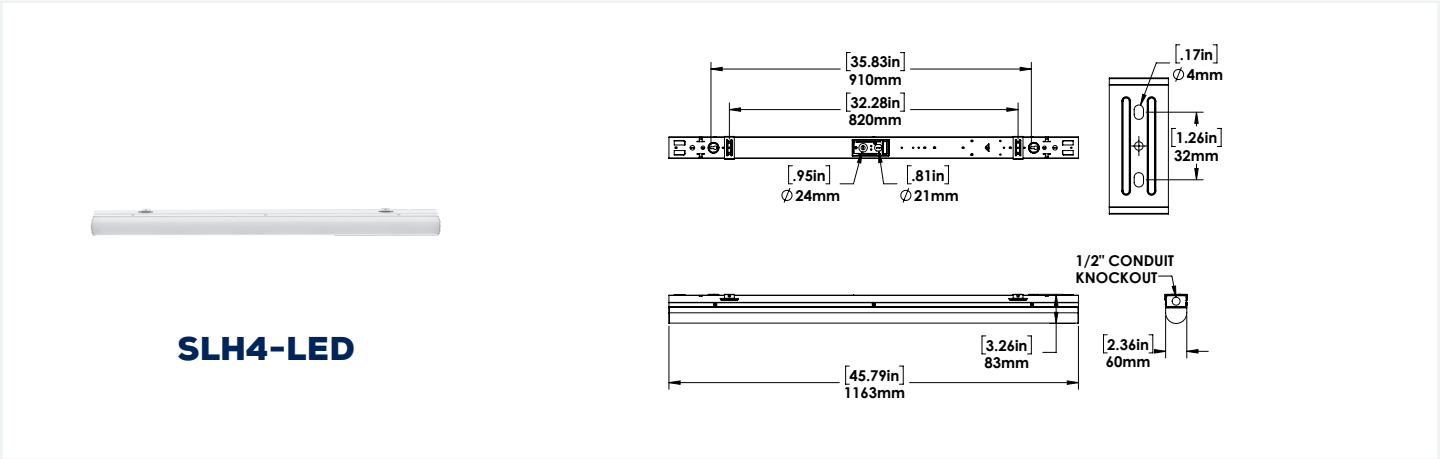
### Wire Cage

To install, place wire cage over the fixture and screw the clips on to the mounting surface.

End caps of the wire cage are removable which allows contractor to connect multiple fixtures with wire cages seamlessly.



**DIMENSIONS:**



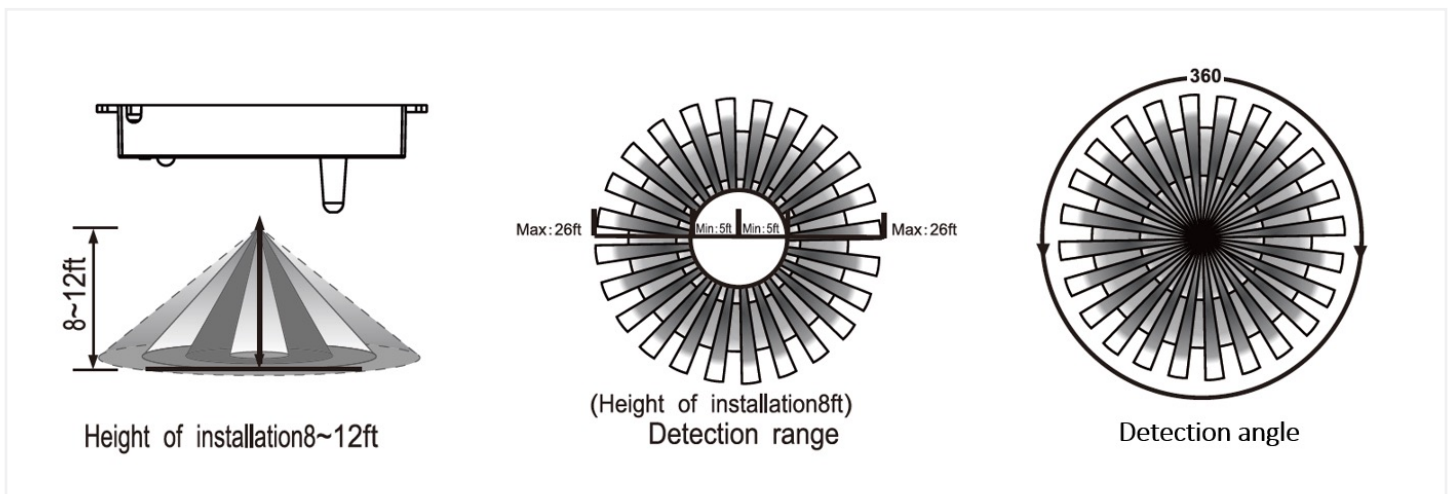
MOTION SENSOR SPECIFICATIONS	
<b>POWER SUPPLY</b>	12V-24VDC*
<b>HIGH FREQUENCY SYSTEM</b>	5.8GHZ +/-75MHZ (HIGH FREQUENCY MICROWAVE OUTPUT)
<b>DIM CONTROL OUTPUT</b>	0-10V, MAX. 25MA SINKING CURRENT
<b>DETECTION RADIUS/ANGLE</b>	MAX 8M (26FT) AT 360°
<b>MOUNTING HEIGHT</b>	MAX 3.6M (12FT)
<b>REMOTE CONTROL RANGE</b>	MAX 15M (50FT)
<b>HUMIDITY</b>	MAX 95% RELATIVE HUMIDITY
<b>OPERATING TEMP.</b>	-40°C TO 70°C (MOTION SENSOR) 0°C TO 50°C (REMOTE CONTROL)
<b>INSTALLATION</b>	FACTORY INSTALLED
<b>PROGRAMMING</b>	USING DIP SWITCHES ON SENSOR OR USING RC-100 REMOTE (SOLD SEPARATELY)

\*12VDC AUX AVAILABLE FROM THE LED DRIVER- CAN BE USED FOR MOTION SENSOR AND OTHER LIGHTING CONTROLS.

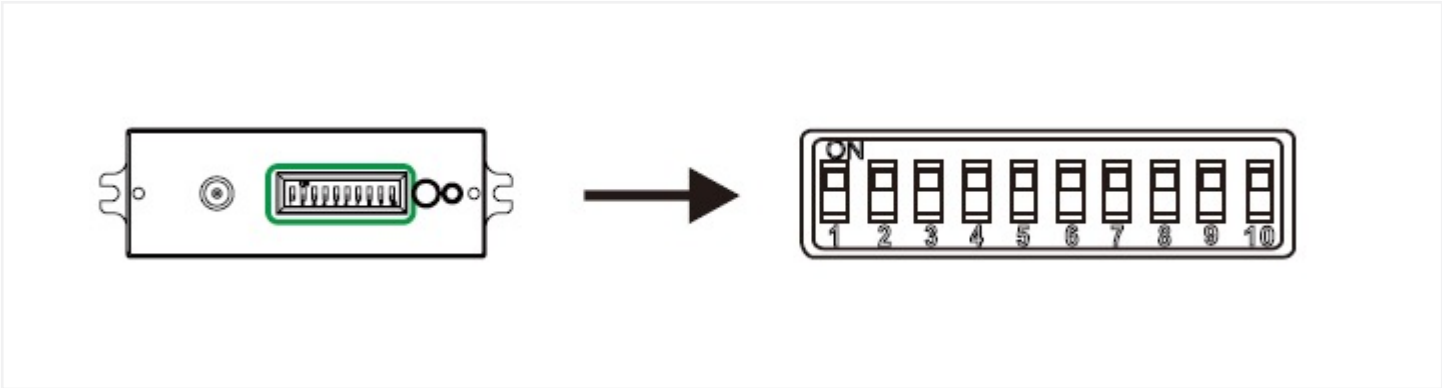
DEFAULT MOTION SENSOR SETTINGS					
BRIGHTNESS	SENSITIVITY	HOLD TIME	DAYLIGHT SENSOR	STAND-BY DIM	STAND-BY TIME
100%	100%	10 seconds	Disabled	DIM: 30%	60 minutes

ONCE POWERING THE LIGHT FIXTURE, THE MOTION SENSOR WILL USE THE FOLLOWING DEFAULT PARAMETERS TO OPERATE.

### MOTION SENSOR COVERAGE



## ADJUSTING MOTION SENSOR SETTINGS USING DIP SWITCHES



## ADJUSTING MOTION SENSOR SETTINGS USING RC-100 REMOTE

TECHNICAL SPECIFICATIONS	
	<p><b>BRIGHTNESS:</b> Sets the highest light fixture brightness when motion is detected.</p>
	<p><b>SENSITIVITY:</b> Sets the sensitivity to which the sensor will detect motion. It describes the radii of the circular detection zone.</p>
	<p><b>HOLD TIME:</b> The time the light fixture will remain at the brightness setting after it detects motion.</p>
	<p><b>DAYLIGHT SENSOR:</b> The lux setting that the light fixture will turn on/off. If the ambient lux is more than the defined lux setting, the fixture &amp; sensor function will turn off and remain off until the ambient lux is below the setting. To disable the lux sensor, select the <b>SUN</b> icon. To set the lux to match current room conditions, select the <b>EYE</b> icon.</p>
	<p><b>STAND-BY DIM:</b> The Dim level that the light fixture will dim down after the Hold Time has expired.</p> <p>To disable dimming and only have ON/OFF, select the 0% icon.</p>
	<p><b>STAND-BY TIME:</b> The time the light fixture will remain in the dim down state before it shuts off.</p> <p>To disable the light from shutting off, select the INFINITY icon.</p>

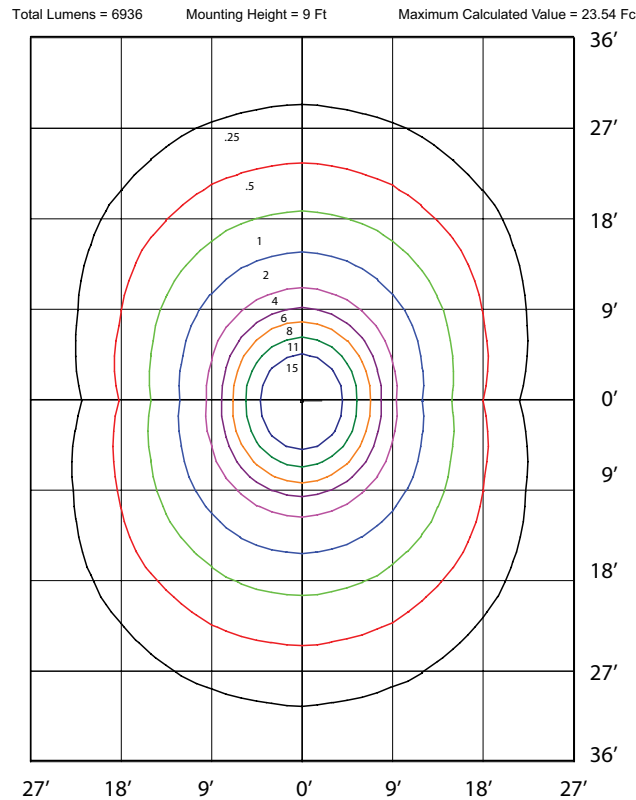
NOTE: DETAILED PROGRAMMING INSTRUCTIONS AVAILABLE FOR DIP SWITCHES AND RC-100 REMOTE IN MOTION SENSOR & REMOTE CONTROL MANUAL.

## BATTERY BACK UP DETAILS:

TECHNICAL SPECIFICATIONS	
Rated Input Voltage	100-277VAC
Input Current	20-100mA
Input Power	8W
Power Factor	0.6 @ 100VAC, 0.5 @347 VAC
Output Wire L-out N-out (LED load input)	AC 6A Max
Output Voltage (Emergency Mode)	8W
Recharge Current	0-200mA
Recharge Time	24 Hours
Discharge Time	90 Minutes
Maximum Case Temperature Tc	70°C
Ambient Operating Temperature Ta	10-60°C
Service Life	50,000 Hours
RFI/EMI	FCC

\*Battery Back Up is factory installed inside housing.

SLH4-LED50A20-B-4K-DIM(SLH4-LED50A20-H-VK-DIM)  
MOUNTED AT 9 FEET





## ORDERING GUIDE

<b>SLH4</b>	<b>LED50A20</b>	<b>B</b>		<b>DIM</b>		
WATTS	VOLTAGE	COLOR TEMP.	DIMMING	CONTROLS	OPTIONS	
LED50A20	B - 120-277V	3.5K-3000K VK- COLOR SELECTABLE 3000K/4000K/5000K	DIM-0-10V DIMMING	DHFS - DIMMING HIGH FREQUENCY SENSOR  AWN - LUTRON SMART CONTROL**	BBK8 - 8W BATTERY BACK UP	

\*Standard Configuration

\*\*Factory installed Lutron Athena Wireless Node with RF only (A-WN-D01-RF-WH). Gateway and controller not included.

## ACCESSORIES ORDERING GUIDE

### CHECK THE ACCESSORIES YOU WISH TO ORDER:

052267 - RC-100 MOTION SENSOR REMOTE CONTROL

052114 - SL4./SLH4-LED WIRE CAGE

051446 - SL4-LED REFLECTOR WINGS KIT - WHT

051331 - LINEAR CEILING PENDANT MOUNT KIT