



WLE-LED12

LED Wall Light



SPECIFICATIONS*

Watts	12
Lumens	1275.8
Efficacy	105.7
Replaces Up To	50W MH
Color Temp	4,000K
Certification	cETLus
Operating Temp	-40°C to +40°C
Voltage	120-277*
LED Life	50,000 hours
Housing Material	Die Cast Aluminum
Lens Material	Polycarbonate Clear
Power Factor	0.921
Total Harmonic Distortion	14.5
CRI	84
Photocell	Included

*Standard



DESCRIPTION

The WLE fixture is an energy efficient wall light with a traditional look. Available in a 12W version, it features vandal-resistant polycarbonate housing and a textured clear lens.

APPLICATIONS



Entrances



Back Doors



Loading Docks



Perimeter Lighting

FEATURES

- Compact and easy to install LED wall light
- Durable aluminum back plate with polycarbonate housing and clear lens.
- Mounting cross bar to attach to junction box included.

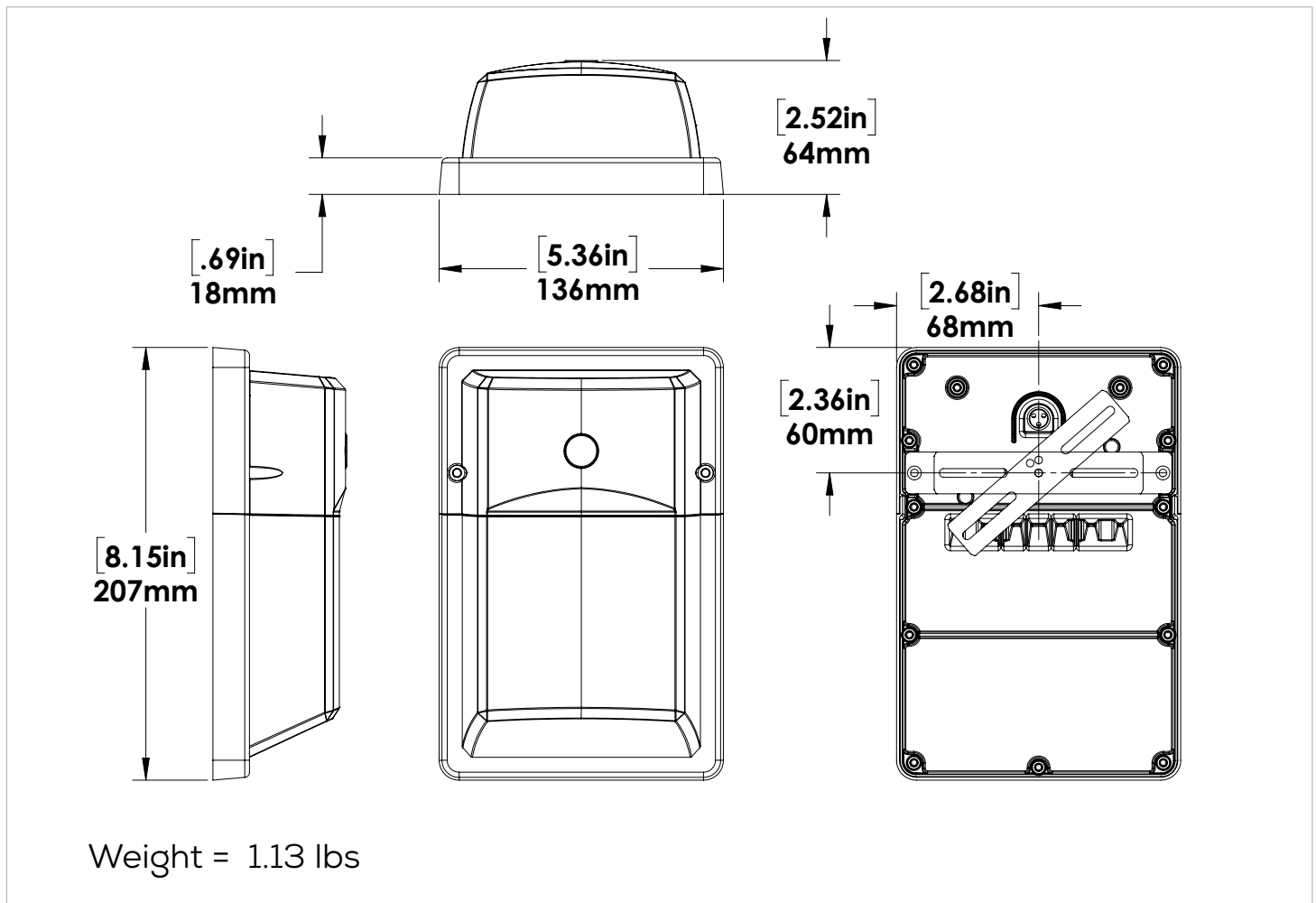
OTHER MODEL SPECIFICATIONS

MODEL DESCRIPTION	VOLTAGE (V)	INPUT POWER (W)	LIGHT OUTPUT	EFFICACY (Lm/W)	THD	PF	CCT	CRI
WLE-LED12-B-4K-BLK-PC-CL	120-277	12	1275.8	105.7	14.5	0.921	4000	84

LEGEND

B - 120V-277V
 4K-4000K,
 BLK - Black
 PC - Photocell
 CL - Clear Lens

DIMENSIONS



ORDERING GUIDE

WLE						
WATTS	VOLTAGE	COLOR TEMP.	FINISH	OPTIONS	LENS	
LED12	B - 120 - 277V	4K - 4000K	BLK - BLACK	PC - PHOTOCELL	CL - CLEAR LENS	

*Standard Configuration.