

LED wall light that is compact in design, has an easy installation feature and efficiency of over 104 lumens/watt..



APPLICATIONS

Ideal for building entrances and exits, offices, condominiums, and schools.

Project	
Type	
Date	
Notes	

SPECIFICATIONS

Construction

Die cast aluminum housing and backbox with stainless steel hardware. Fixture has a vandal-proof clear, polycarbonate lens. There are 3 conduit entries, one in the back and one on each side. .

LED Configuration

The GWL2-LED30 has a color temperature of 5000K. The fixture has a custom designed reflector for downward wide beam dispersion.

Mounting

The fixture can be wall mounted onto a junction box or directly on the wall.

Electrical

Total system wattage of the unit is 31W. The standard unit has a high efficiency driver that operates at 120 - 277V.

Easy Installation

The unit is designed to hook and secure itself on top of the housing so installer can use both hands to connect wires easily. The backbox has a built-in level bubble to facilitate mounting alignment.

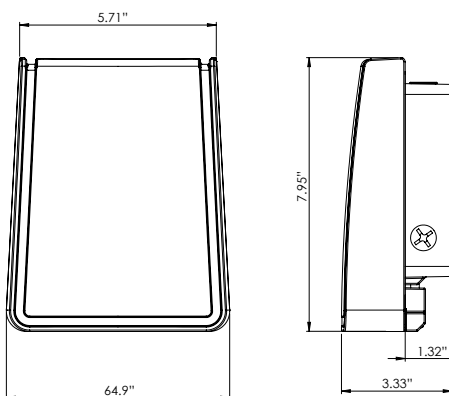
Finish

Available in a Bronze finish.

Watts	31W
Lumens	3,228
Efficacy	104 lumens/watt
Equivalent to	up to 100W MH

# of conduit entries	4
Voltage	120-277V
Color Temp	5000K
LED Life	100,000 hours
Warranty	5 Years
Working Temp	-40°C to +40°C
Certification	cULus, IP65
CRI	>80
Power Factor	0.93
Total Harmonic Distortion	13.47%

DIMENSIONS



*Not all versions of this product may be DLC Premium qualified or DLC qualified. Please check the DLC Qualified Products List at www.designlights.org/QPL to confirm which versions are qualified.



INSTALLATION INFORMATION

1. Open fixture, mount back box to junction box



2. Hook fixture on top of the housing and easily connect wires using both hands



3. Unhook fixture from housing, flip over and reattach fixture to housing



4. Push fixture against housing and tighten screw(s) below lens



ORDERING GUIDE

GWL2	-	LED30	-		-		-	
				VOLTAGE		COLOR TEMP		FINISH
				B - 120 - 277V*		5K - 5000K*		BRZ - BRONZE*

* Standard configuration