



NMV-LED

Non-Metallic Vapourproof Fixture



Wall Mount Version



Ceiling Mount Version



UL844 Hazardous

Applications:

Grain elevators, boats, mines, farms, distilleries, greenhouses, chemical plants, marine applications.

DESCRIPTION:

An energy efficient alternative when sturdy vapor and dust proof lighting is required. Lightweight fixture that is built to last. Can be mounted on walls, ceilings in a variety of applications.

FEATURES:

- 2 mounting options - ceiling or wall mount.
- Glass Reinforced plastic housing (GRP) resists corrosion.
- PC lens tested to UL746C for water, immersion and UV light exposure.
- Five ½" NPT conduit entries with plugs.
- Fixtures are for end of run use only, can only use one conduit entry.

CERTIFICATIONS:

- UL844
 - Certified for Hazardous Locations Class I, Division 2, Groups A, B, C and D (T4).
 - Certified for UL844 Hazardous Locations Class II, Division 2, Groups F, and G (T5)
- TYPE 4X Rated (Evaluated and rated for NEMA 4X)
- 1598A
 - Certified Marine Non Recessed Luminaire Outside Type (Salt Water).
- Approved for Wet Locations
- 1598 - Certified Surface Mounted Luminaire

SPECIFICATIONS

Watts	14W
Lumens	1573 Lms
Efficacy	117.7 Lm/W
Replaces up to	100W incandescent / 36W CFL
Color temp	4000K
Certifications	UL UL Marine Applications Class 1, Div 2, Groups A, B, C, D (T4) Class 2, Div 2, Groups F, G (T5) Evaluated and Rated for NEMA 4X Wet Locations
Operating temperature	Not exceeding 40°C / 104°F Ambient
Voltage	120-277V
Beam Pattern	Type V
BUG	B1 U3 G1
Total Harmonic Distortion	15%
Power factor	0.99



- 1) When installing, lens MUST be facing down ONLY. 2) Must be installed at end of line. Can only use 1 conduit entry.

UNDERSTANDING HAZARDOUS LOCATION RATING:

UL.COM/HAZLOC

HAZARDOUS LOCATION RATINGS		
Class	Division	Group
Class I: Explosive Gas Atmospheres	Division 2: Where ignitable concentrations of flammable gases, flammable liquid-produced vapors, or combustible liquid-produced vapors ARE NOT LIKELY TO EXIST under normal operating conditions.	Group A: Atmosphere containing acetylene. Group B: Atmosphere containing a flammable gas, a flammable liquid produced vapor, or a combustible liquid produced vapor mixed with air that may burn or explode, having either a MESG (Maximum Experimental Safe Gap) value less than or equal to 0.45 mm or a MIC (Minimum Igniting Current) ratio less than or equal to 0.40 - such as hydrogen or fuel and combustible process gases containing more than 30% hydrogen by volume - or gases of equivalent hazard such as butadiene, ethylene oxide, propylene oxide and acrolein. Group C: Atmosphere containing a flammable gas, a flammable liquid produced vapor or a combustible liquid-produced vapor whose MESG is greater than 0.75 mm or MIC ratio is greater than 0.40 and less than 0.80 - such as carbon monoxide, ether, hydrogen sulfide, morpholine, cyclopropane, ethyl, isoprene, acetaldehyde and ethylene or gases of equivalent hazard. Group D: Atmosphere containing flammable gas, flammable liquid produced vapor, or combustible liquid produced vapor mixed with air that may burn or explode, having either a MESG value greater than 0.75 mm or a MIC ratio greater than 0.80 - such as gasoline, acetone, ammonia, benzene, butane, ethanol, hexane, methanol, methane, vinyl chloride, natural gas, naphtha, propane or gases of equivalent hazard.
Class II: Explosive Dust Atmospheres	Division 2: Where ignitable concentrations of combustible dust ARE NOT PRESENT IN THE AIR under normal operating temperatures	Group F: carbonaceous dust Group G: non-conductive dust

TEMPERATURE RATINGS FOR NMV			
Model	Rated ambient	Class I Division 2 Groups A,B,C,D	Class II Division 2 Groups F,G
NMV-LED14-B-GRY-CM	Not exceeding 40°C Ambient	Max external luminaire surface temperature in gaseous environments = 135°C / 275°F	Max external luminaire surface temperature in dust environments = 100°C / 212°F
NMV-LED14-B-GRY-WM			

ADDITIONAL SPECIFICATIONS:

AMPERAGE DRAW & SURGE PROTECTION					
	Current (A)				Surge Protection (kV)
	120V	208V	240V	277V	120-277V
NMV-LED14	0.13A	0.08A	0.07A	0.06A	4kV

WEIGHT	
	Weight (lbs)
NMV-LED14 Ceiling Mount	2.3
NMV-LED14 Wall Mount	3.5

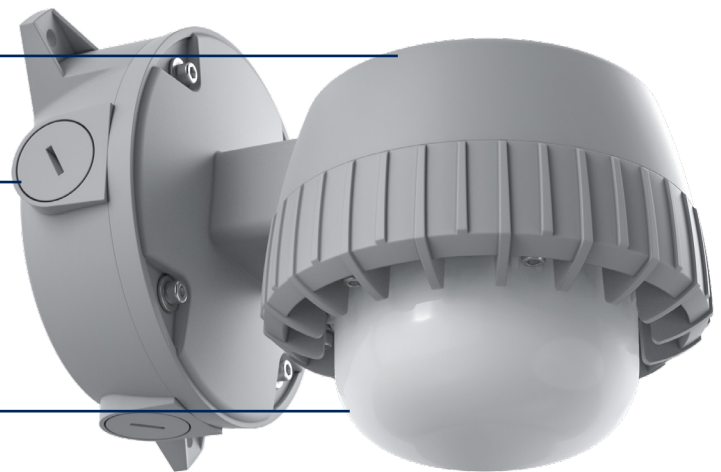
LUMEN MAINTENANCE			
	50,000 Hours	75,000 Hours	100,000 Hours
NMV-LED14	87%	81%	76%

RUGGED AND DURABLE:

Glass reinforced-plastic housing (GRP) resists corrosion.

Five conduit entries, four on the side and one on the back.

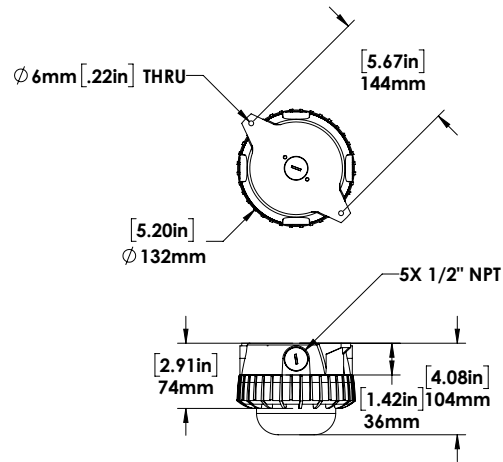
PC lens material tested to UL746C for water, immersion and UV light exposure.



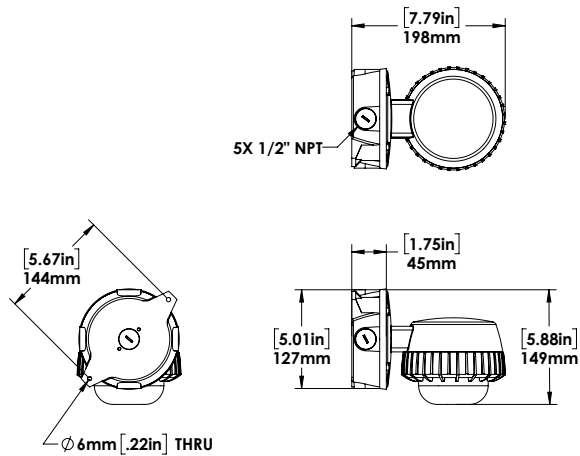
DIMENSIONS:



NMV CEILING MOUNT



NMV WALL MOUNT

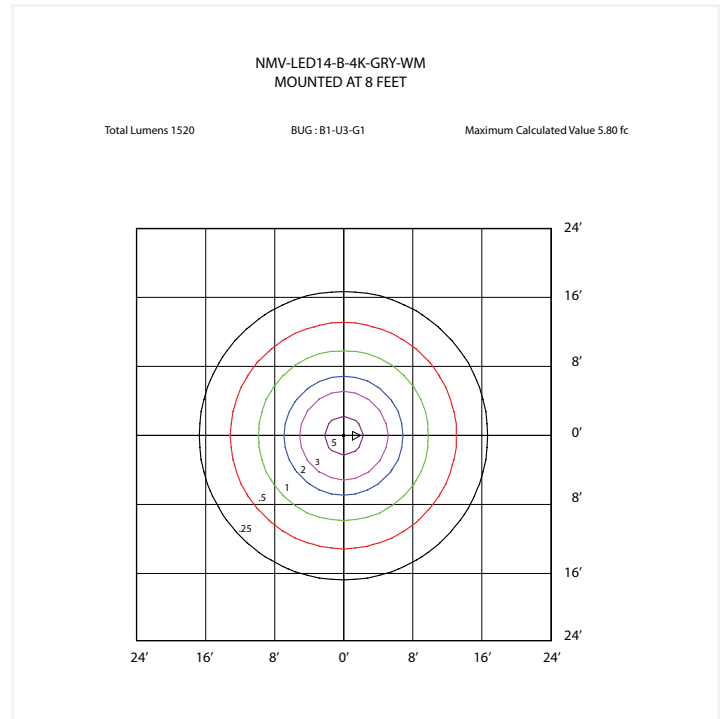
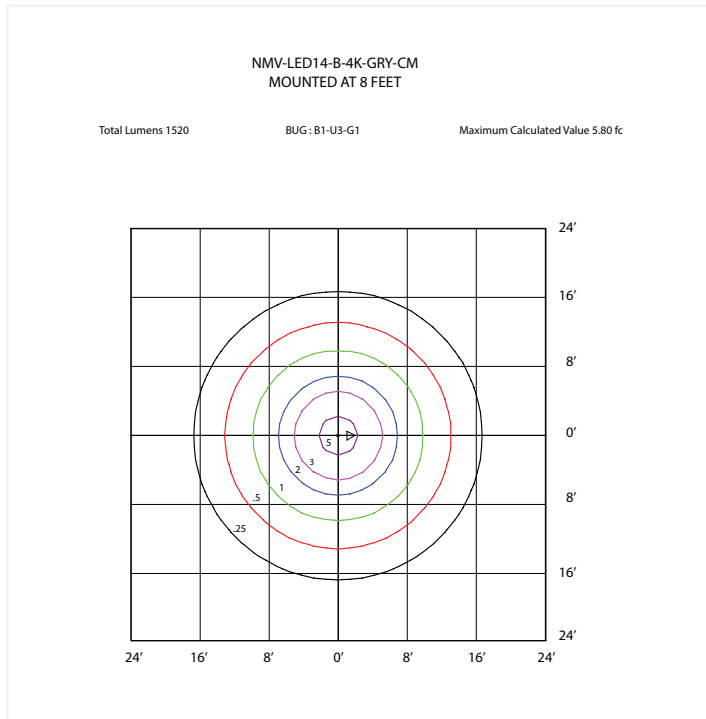


CONNECT MULTIPLE NMV FIXTURES USING T CONNECTORS:



- 1) When installing, lens **MUST** be facing down **ONLY**.
- 2) Must be installed at end of line. Can only use 1 conduit entry.

PHOTOMETRICS:



ORDERING GUIDE:

NMV-LED14

Voltage	Color Temp.	Finish	Mounting
B - 120-277V	4K - 4000K	GRY - Grey	CM - Ceiling Mount WM - Wall Mount