



# FL6S-LED230

## LED Flood Light



### Applications:

Building facades, car dealerships, parking lots and more.

## DESCRIPTION:

The FLS-LED series is a versatile, cost effective, area/ flood light that can suit a variety of applications such as parking lots, building facades, car dealerships.

## FEATURES:

- Universal Mounting – Yoke, Trunnion, Slip fitter, Slip fitter with Wall Adapter, Mounting Arm for Round or Square Poles. Mounting system to be ordered separately.
- Rugged Design - Die cast aluminum housing with polycarbonate lens.
- High Efficacy – 144 lumens per watt.
- Easy to Install – 3ft power cord and low voltage dimming cord. Mounting system slides in place and is secured with 2 bolts.
- Motion sensor, photocell, 3/7 pin receptacles are optional.
- 0 – 10V dimming is standard.

## SPECIFICATIONS<sup>1</sup>

Watts	234
Lumens	33728
Efficacy (Lm/W)	144.4
Replaces Up To	750W MH
Color Temp	4000K, 5000K
Certifications	cULus, IP65, Wet Location, DLC Premium, NEMA 4X
Operating Temp	-40°C to +40°C (-40°F to 104°F)
Voltage	120-277, 480
Beam Pattern	T3 - Type III T5 - Type V
Total Harmonic Distortion	15%
Power Factor	0.9
Mounting Options	Yoke, Trunnion, Slip fitter, Slip fitter with Wall Adapter, Mounting Arm for Round or Square Poles.
Controls	Motion sensor, photocell, 3/7 pin receptacle

<sup>1</sup>The above specs apply to the standard product configuration.

For spec information on other product configurations please see page 2.

## FULL SPECIFICATIONS:

DESCRIPTION	VOLTAGE (V)	INPUT POWER (W)	LIGHT OUTPUT (LM)	EFFICACY (LM/W)	THD (%)	PF	CCT (K)	B-U-G
FL6S-LED230-B-4K-T5-XXX-DIM-[DMS;PC;Blank]	120-277	234	33728	144.4	15.0	0.900	4000	5-0-3
FL6S-LED230-B-4K-T3-XXX-DIM-[DMS;PC;Blank]	120-277	234	33137	141.9	15.0	0.900	4000	4-0-4
FL6S-LED230-B-5K-T5-XXX-DIM-[DMS;PC;Blank]	120-277	234	34040	145.8	15.0	0.900	5000	5-0-3
FL6S-LED230-B-5K-T3-XXX-DIM-[DMS;PC;Blank]	120-277	234	33458	143.2	15.0	0.900	5000	4-0-4
FL6S-LED230-L-4K-T5-XXX-DIM-[DMS;PC;Blank]	480	230	31954	138.9	15.0	0.900	4000	5-0-3
FL6S-LED230-L-4K-T3-XXX-DIM-[DMS;PC;Blank]	480	230	31440	136.7	15.0	0.900	4000	4-0-4
FL6S-LED230-L-5K-T5-XXX-DIM-[DMS;PC;Blank]	480	230	32239	140.2	15.0	0.900	5000	5-0-3
FL6S-LED230-L-5K-T3-XXX-DIM-[DMS;PC;Blank]	480	230	31736	138.0	15.0	0.900	5000	4-0-4

### Legend:

B - 120V-277V, L - 480V  
 4K - 4000K, 5K - 5000K  
 T3 - TYPE 3 BEAM, T5 - TYPE 5 BEAM  
 XXX - HOUSING FINISH  
 DIM - 0-10V DIMMING

### AMPERAGE DRAW & SURGE PROTECTION

	Current (A)					Surge Protection (kV)	
	120V	208V	240V	277V	347V	120-277V	347V
FL6S-LED230	2.02A	1.17A	1.01A	0.88A	0.7A	4kV	10kV

### WEIGHT AND EPA

	Weight (lbs)	0° Tilt	45° Tilt	90° Tilt
FL6S	11.3	0.51	1.43	1.89

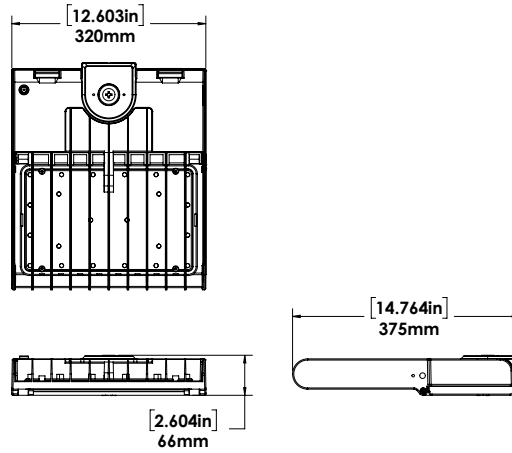
### LUMEN MAINTENANCE

	50,000 Hours	75,000 Hours	100,000 Hours
FL6S-LED230	88%	83%	78%

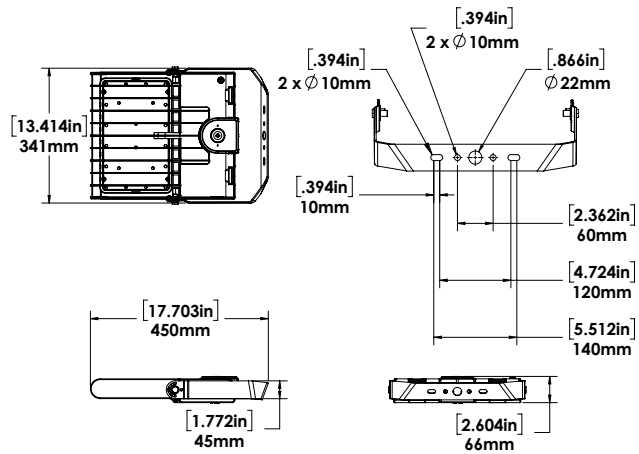
## DIMENSIONS:



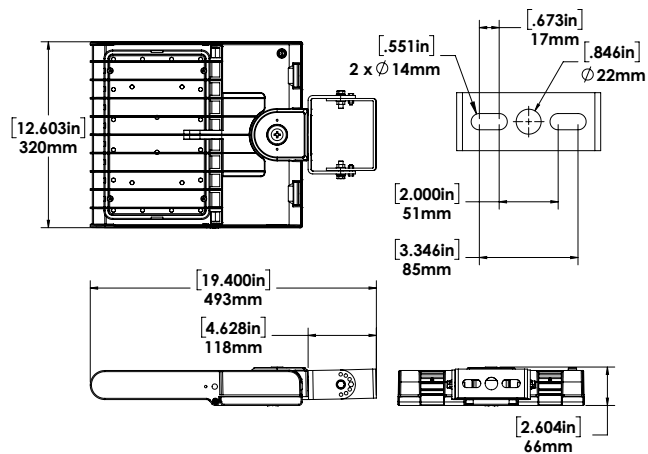
**FL6S-LED230**



**YOKE MOUNT**



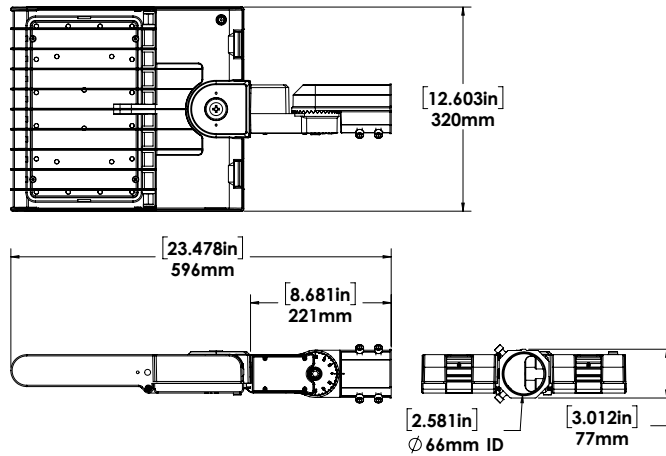
**TRUNNION MOUNT**



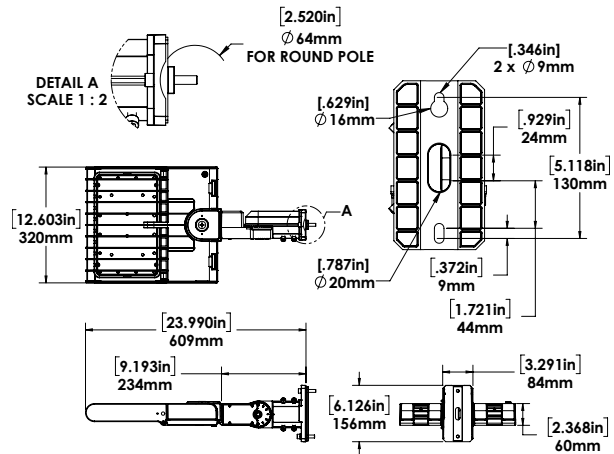
**DIMENSIONS:**



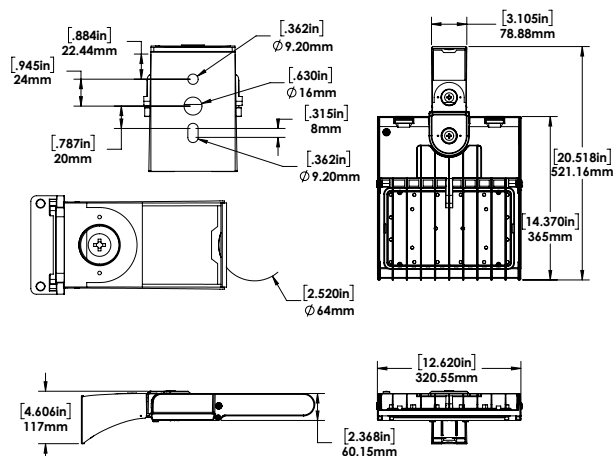
**SLIP FITTER**



**SLIP FITTER WITH  
WALL ADAPTOR  
MOUNT**



**MOUNTING ARM  
FOR ROUND OR  
SQUARE POLES**



## ORDERING GUIDE:

**FL6S-LED230**

	Voltage	Color Temp.	Beam	Finish	Driver	Controls*
	B - 120-277V	5K - 5000K	T5 - Type 5	BRZ - Bronze	DIM - 0-10V Dimming	PC - Photocell
	L - 480V	4K - 4000K	T3 - Type 3	CC - Custom		DMS - Dimmable Motion Sensor
						3PIN - 3 Pin receptacle for ON/OFF photocells
						7PIN - 7 pin receptacle for smart control systems

\*all controls are factory installed

### Ordering Guide For Accessories

Check the items that you wish to order:

- 052025 - FL6S YOKE BRZ
- 052027 - FL5S/FL6S/FL8S/FL9S SLIP FITTER BRZ
- 052028 - FL5S/FL6S/FL8S/FL9S TRUNNION BRZ
- 052029 - FL5S/FL6S/FL8S/FL9S MOUNTING ARM BRZ
- 052030 - FL5S/FL6S/FL8S/FL9S SLIP FITTER W/WALL ADAPTER BRZ