



SL8-LED60

LED Strip Light

SPECIFICATIONS

Watts	63
Lumens	8059
Efficacy	128.2 Lm/W
Replaces Up To	2 Lamp 8ft T8
Color Temp**	Selectable - 3K, 4K, 5K
Certification	cULus, IP20
Operating Temp	-30°C to +40°C
Voltage	120-277V*
LED Life (L70)	>100,000 hours
Housing Material	Steel
Lens Material	Polycarbonate
Lens Type	Frosted
Mounting	Surface mount, suspended mount using linear ceiling pendant mount
Total Harmonic Distortion	7.9%
Power Factor	0.90
CRI	80
Internal Surge Protection	2KV
Weight	7.7 lbs

* Standard Configuration

** Colour temperature is selectable and can be adjusted on the fixture through a switch. The default switch setting is set to 4K on the fixture.



DESCRIPTION

The SL8-LED60 strip light provides a highly efficient lumen output of approx. 8000 lumens ideal for replacing 2 lamp 8ft T8 fixtures. The frosted linear lens provides uniform light distribution ideal for use in shops, coves and general area lighting.

APPLICATIONS



Shops



Cove Lighting



General Area Lighting

FEATURES

- Fixture can be set at a color temperature of 3000K, 4000K or 5000K through a switch inside the housing
- Narrow, linear design with frosted lens for uniform light distribution
- Join up to 12 fixtures on a single circuit using easy connector steel plates. Fixtures are daisy chained with line wires fished through the housing continuous row.
- Options: dimming high frequency sensor (inside housing), wire cage, reflector wings, linear ceiling pendant mount kit

FULL SPECIFICATIONS

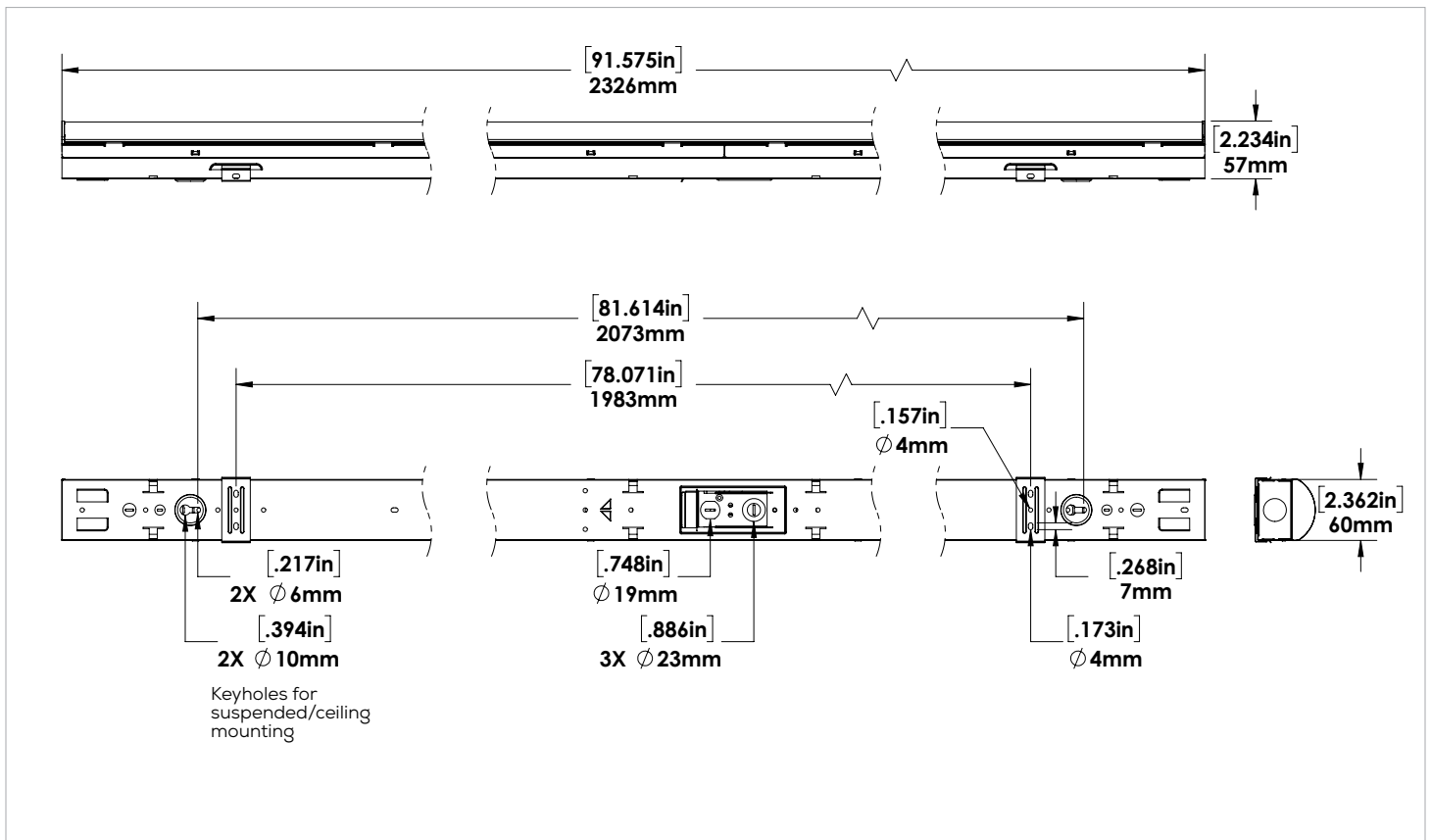
DESCRIPTION	VOLTAGE (V)	INPUT POWER (W)	LIGHT OUTPUT	EFFICACY (Lm/W)	THD	PF	CRI
SL8-LED60-B-VK-DIM	120-277	63	8059	128	7.9	0.90	>80

LEGEND

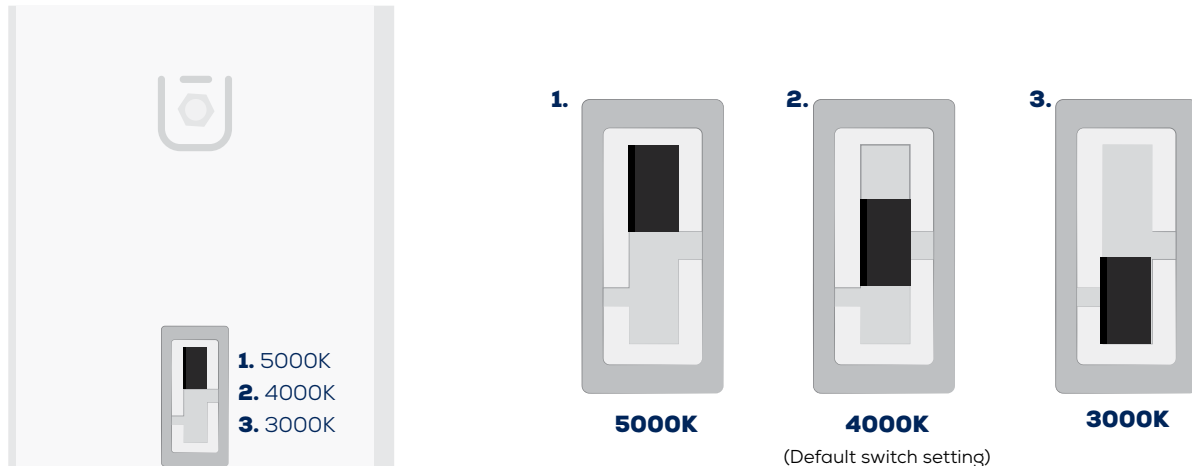
B - 120V-277V, VK - Selectable CCT

DIM - 0-10V Dimming

DIMENSIONS



COLOR SELECTABLE SWITCH



The switch is located inside of the fixture.

1. 5000K
2. 4000K
3. 3000K

1. 5000K
2. 4000K
3. 3000K

(Default switch setting)

Easily change the colour temperature with the flip of a switch.

- 1.** TOP position = 5000K
- 2.** MIDDLE position = 4000K
- 3.** BOTTOM position = 3000K

LINEAR CEILING PENDANT MOUNT KIT

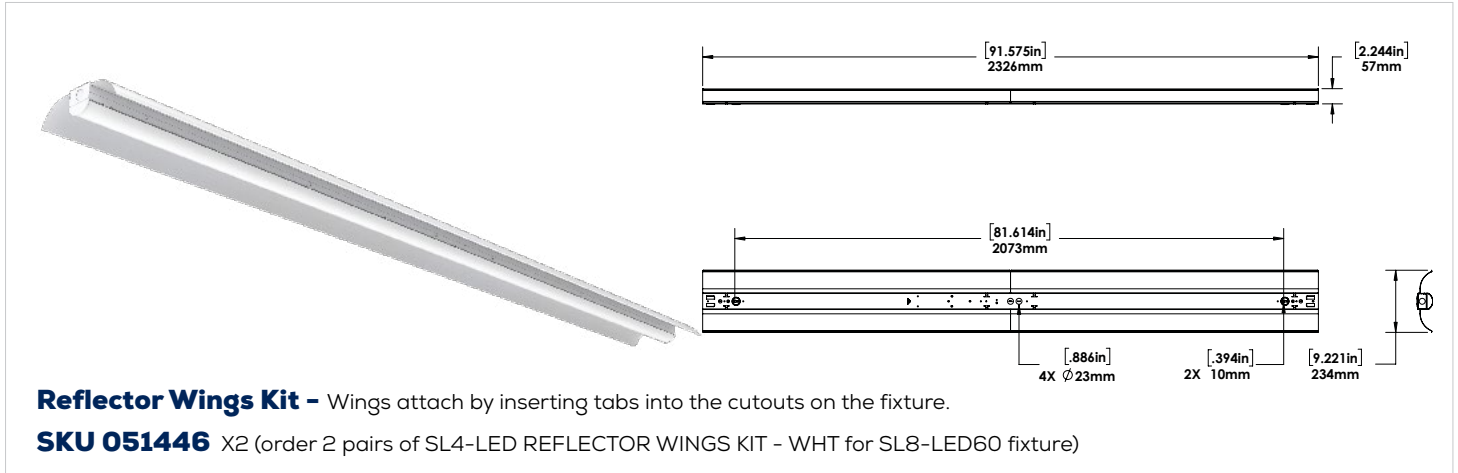


Linear Ceiling Pendant Mount Kit

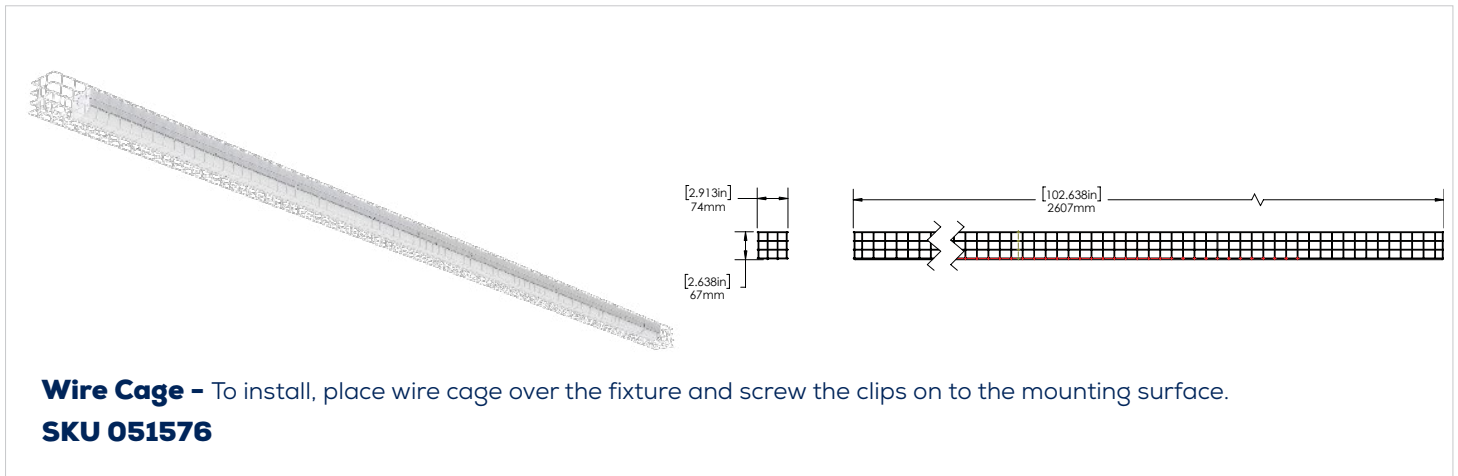
Contains 2 x 5 foot aircraft cables with ceiling mounting plates, fixture mounting rod and nut, 6 drywall anchors, and 6 screws.

SKU 051331

REFLECTOR WINGS



WIRE CAGE



ORDERING GUIDE

SL8	LED60	B	VK	DIM	
WATTS	VOLTAGE	COLOUR TEMP.	DRIVER	OPTIONS	
	B - 120 - 277V*	VK - COLOUR SELECTABLE* (can be adjusted to 3K, 4K, or 5K)	DIM - 0-10V Dimming*	DHFS - Dimming High Frequency Sensor (factory installed inside the housing)	

*Standard Configuration.

FIELD INSTALLED ACCESSORIES

CHECK THE ACCESSORIES YOU WISH TO ORDER:

051576 SL8-LED WIRE CAGE

051446 SL4-LED REFLECTOR WINGS KIT - WHT - Order 2 pairs for SL8-LED fixture.

051331 LINEAR CEILING PENDANT MOUNT KIT