



VFL4-LED200

LED Flood Light



SPECIFICATIONS*

Watts	197
Lumens	24612
Efficacy	125
Replaces Up To	400 W HPS
Colour Temp	5000K*, 4000K
Certification	cULus, IP66,
Operating Temp	-40°C to +40°C
Voltage	120-277V*, 480V
LED Life	100,000 Hours
Housing Material	Cast Aluminum
Lens Material	Tempered Glass
Beam Pattern	Wide
Total Harmonic Distortion	12.4%
Power Factor	>0.92
Mounting Options	Yoke Mount, Slipfit Mount
Weight	17.6 lbs

*Standard



DESCRIPTION

The VFL-LED series are ruggedly designed LED floodlights available in 6 different wattages with various mounting options in a uniformly distributed wide beam.

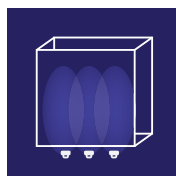
APPLICATIONS



Building
Facades



Area
Lighting



Wall Wash
Applications

FEATURES

- Durable aluminum construction with clear tempered glass lens
- Custom built LED array which creates a uniformly distributed wide beam.
- Wide beam is standard.
- Available in slipfit or yoke mount.e

*The above specs apply to the standard product configuration. For spec information on other product configurations please see page 2.

NOTE: Not all of our product configurations are qualified on the DLC QPL. To view all of our DLC qualified products please visit the DLC qualified products list at www.designlights.org/qpl.

CANDELA PLOTS

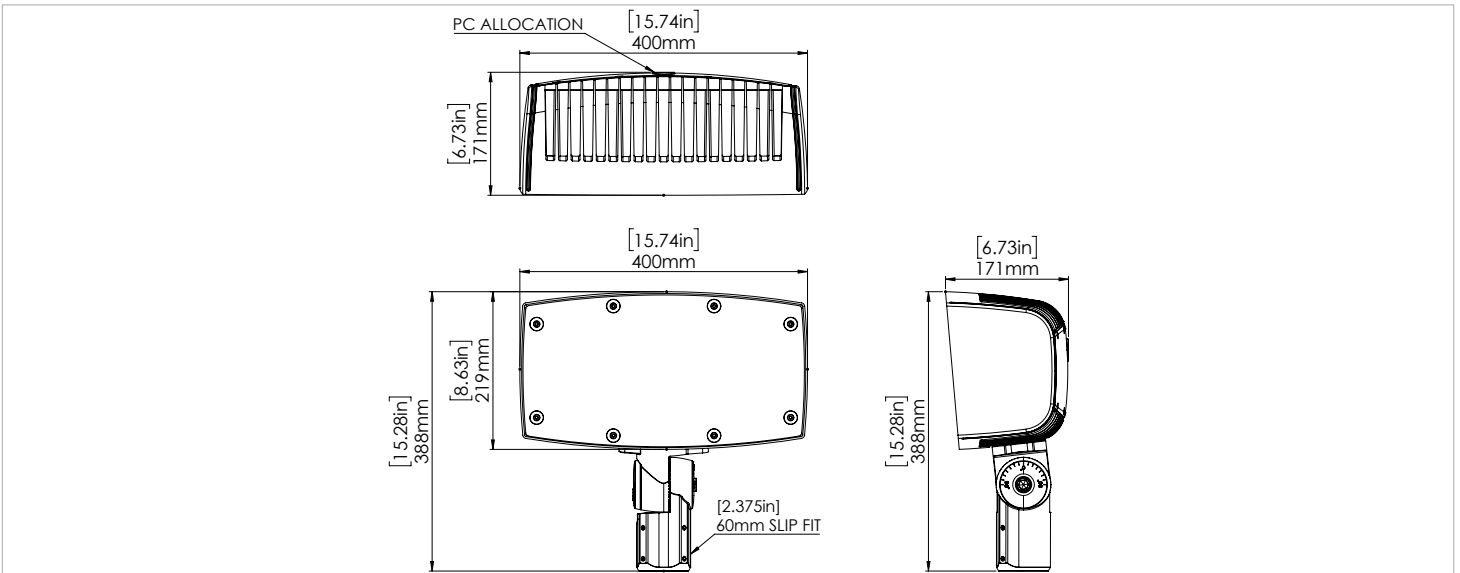
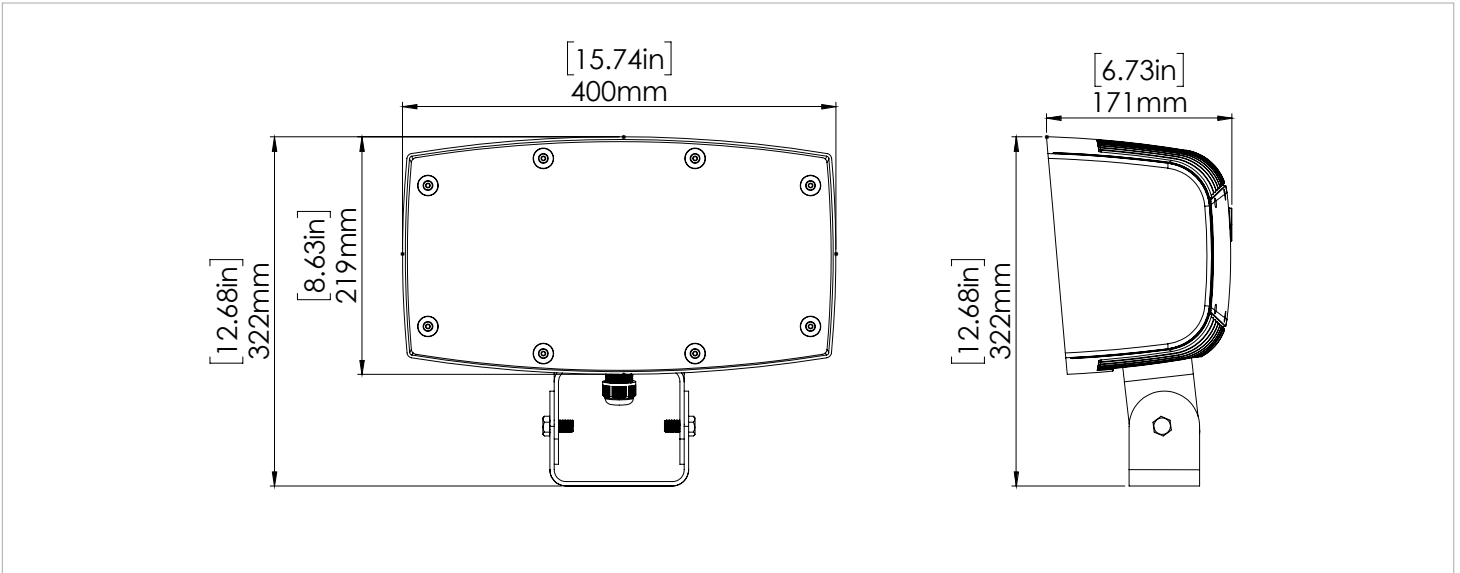
VFL4-LED200

VFL4-LED200

VFL4-LED200

VFL4-LED200

DIMENSIONS



OTHER MODEL SPECIFICATIONS

MODEL DESCRIPTION	VOLTAGE (V)	INPUT POWER (W)	LIGHT OUTPUT	EFFICACY (Lm/W)	THD	PF	CCT	CRI
VFL4-LED200-B-4K-W-XXX-XX	120-277V	197.0	24251	123.1	12.2	0.92	4000	82
VFL4-LED200-B-5K-W-XXX-XX	120-277V	196.8	24612	125.1	12.4	0.92	5000	81

LEGEND

B - 120V-277V,

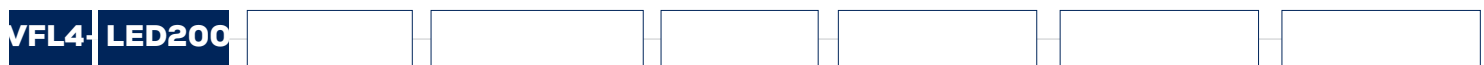
5K - 5000K

W - WIDE BEAM

XXX - HOUSING FINISH

XX - MOUNTING

ORDERING GUIDE



WATTS	VOLTAGE	COLOUR TEMP.	BEAM	FINISH	MOUNTING	OPTIONS
	B - 120 - 277V*	5K - 5000K*	W - WIDE*	BRZ - BRONZE*	YK - YOKE	PC - PHOTOCELL
	L - 480V	4K - 4000K		CC - CUSTOM	SF - SLIPFIT	