



SKYLINE-LED80

LED Area Light



SKYLINE-PT3A
3 Arm Post Top

SPECIFICATIONS*

Watts	80
Lumens	7138
Efficacy	94 lm/W
Replaces Up To	250W MH
Color Temp	5000K, 4000K*
Operating Temp	-40°C to +40°C
Voltage	120-277V*
LED Life	50,000 hours
Certification	cETLus
Housing Material	Die Cast Aluminum
Lens	Clear Glass
Power Factor	0.9
Total Harmonic Distortion	9%
CRI	72
Accessories	Photocell



DESCRIPTION

SKYLINE is an architectural post top area light featuring a modern, European look. Intelligently designed, this fixture provides advanced optics available with T2, T3, T4, T5 options.

APPLICATIONS



Condos



Pathways



Commercial
Properties

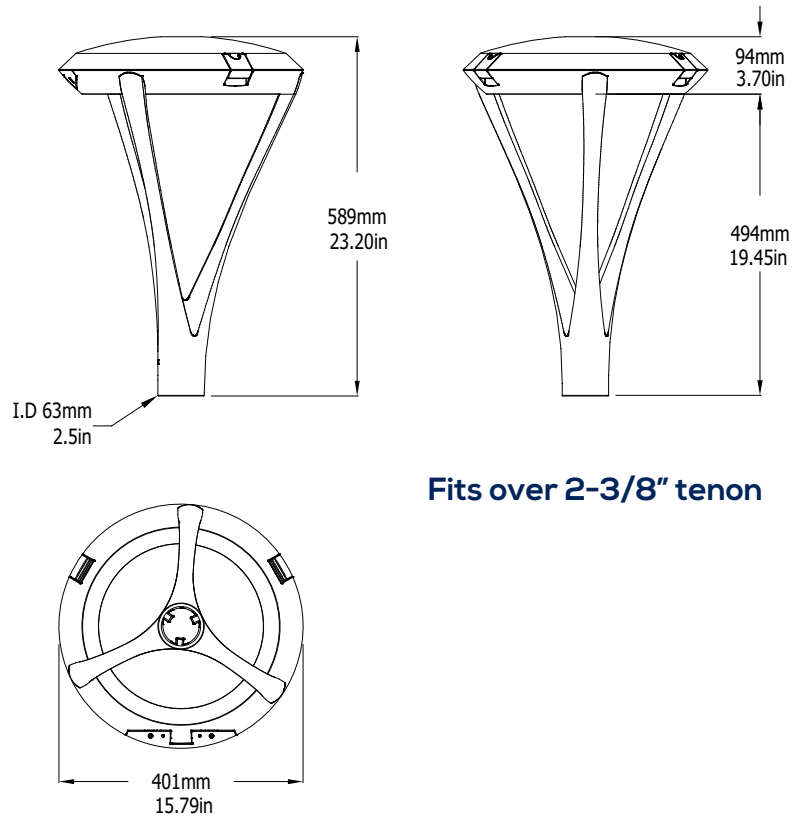
FEATURES

- Sleek modern design.
- Mounting options include traditional 3 arm post top, stylish curved arm with post top, and the elegant pole mount arm for round or square poles.
- Photocell is optional.
- 10kV surge protection is standard.
- Advanced optics available with T2, T3, T4, T5 options.

*The above specs apply to the standard product configuration - SKY-LED80-B-4K-T5-BLK-DIM. For spec information on other product configurations please see page 2.

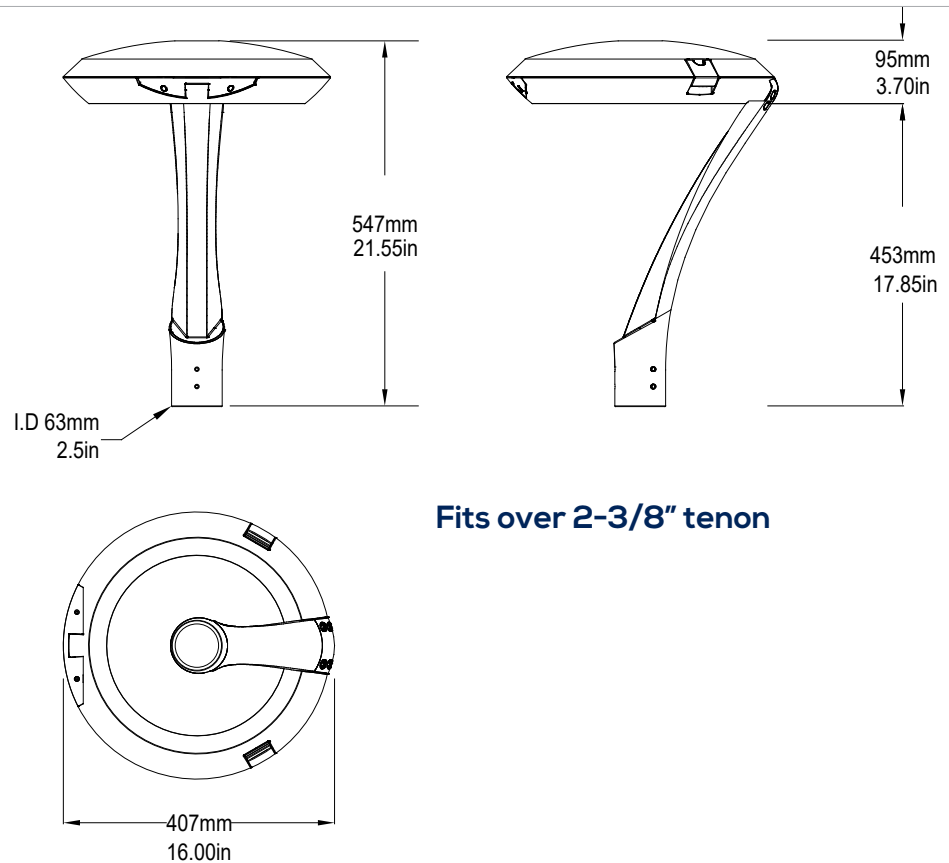
DIMENSIONS

SKYLINE-PT3A



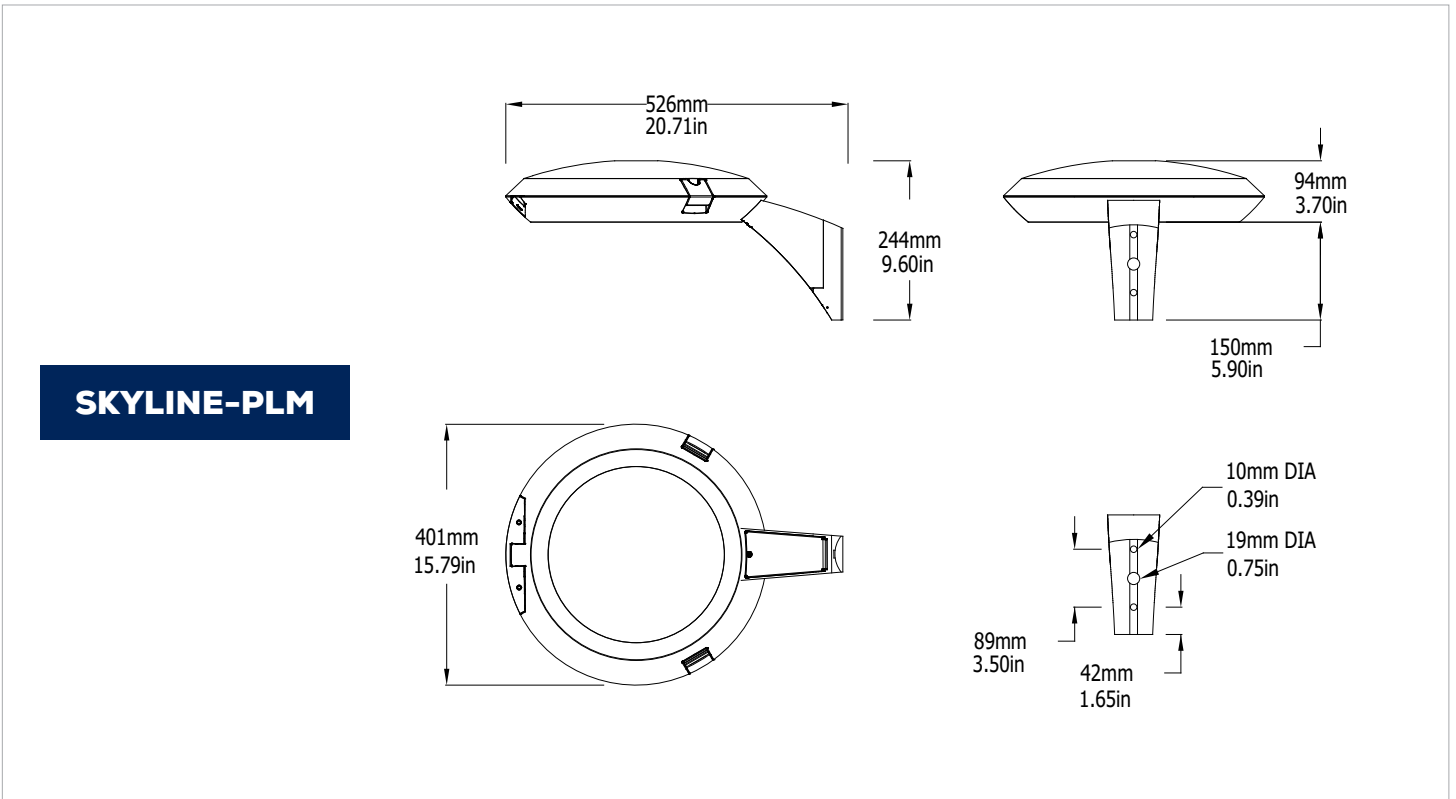
Fits over 2-3/8" tenon

SKYLINE-PT1A






Fits over 2-3/8" tenon

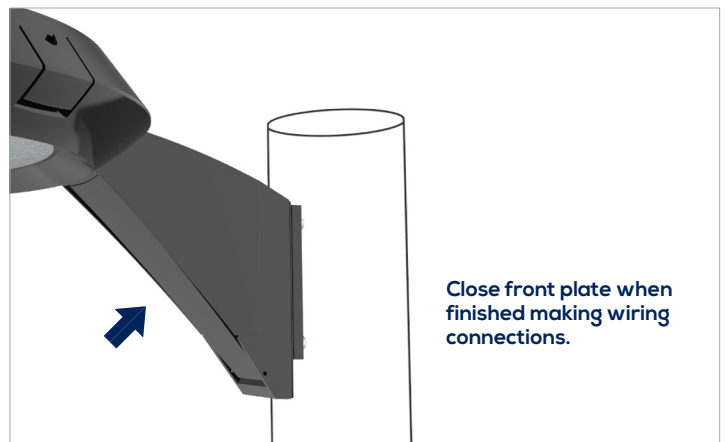
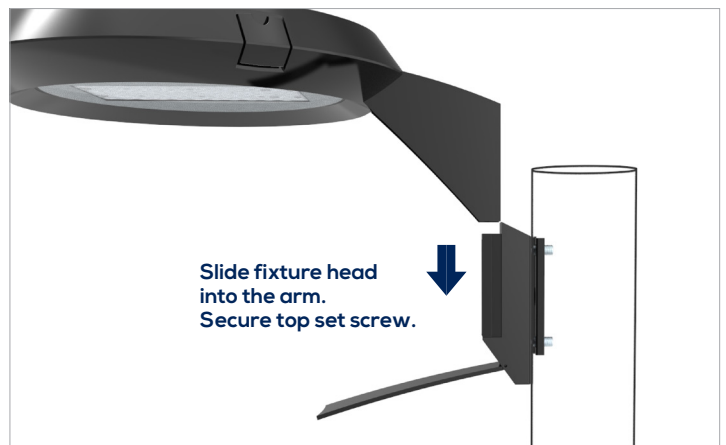
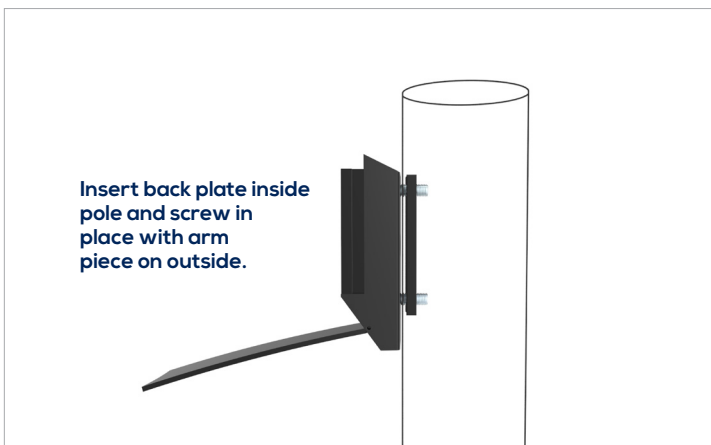
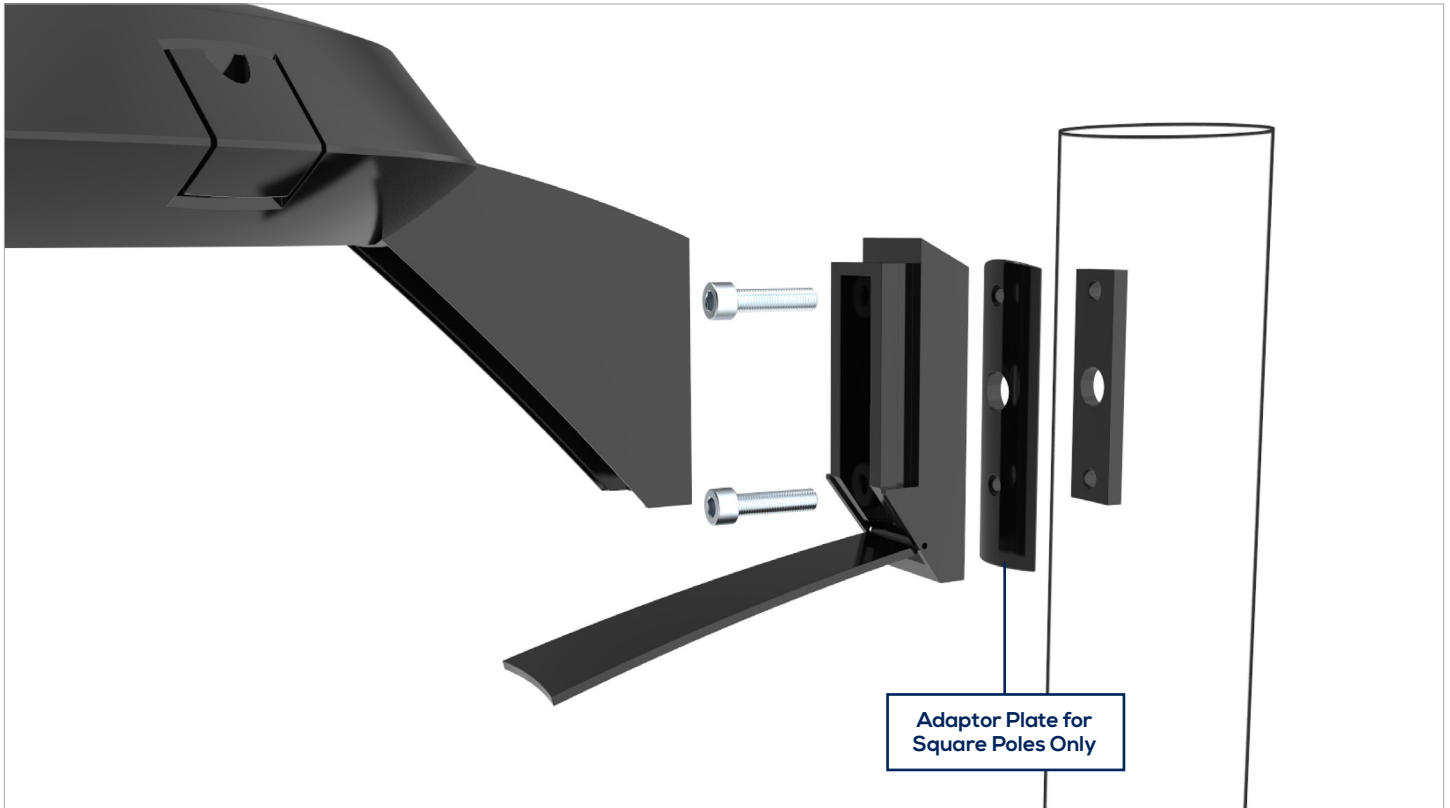
DIMENSIONS



EPA

		EPA
	SKYLINE-PT1A	0.93
	SKYLINE-PT3A	1.17
	SKYLINE-PLM	0.66

POLE ADAPTOR



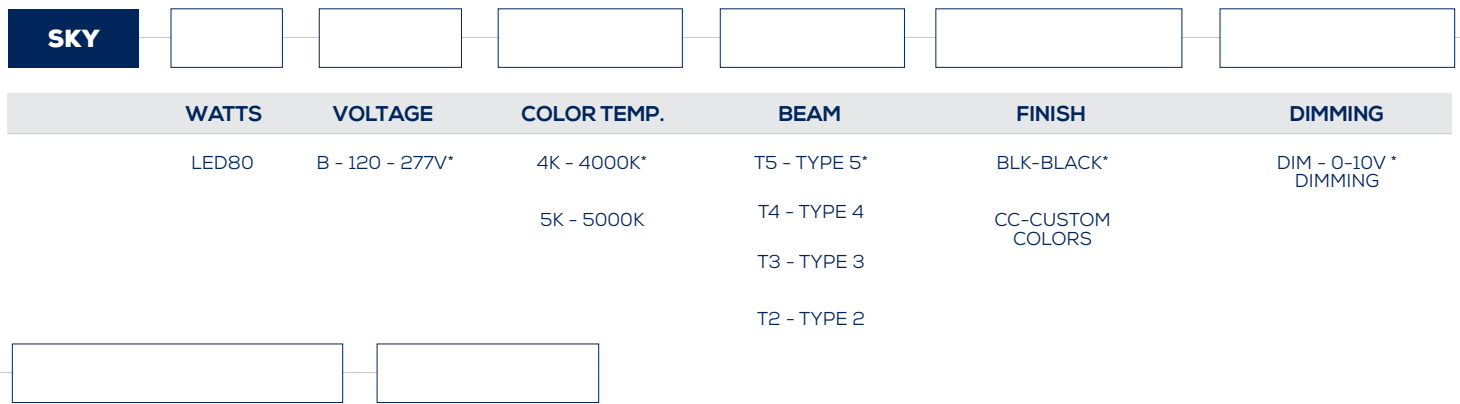
OTHER MODEL SPECIFICATIONS

MODEL DESCRIPTION	VOLTAGE (V)	INPUT POWER (W)	LIGHT OUTPUT	EFFICACY (Lm/W)	THD	PF	CCT	CRI
SKY-LED80-B-4K-XX-XXX-DIM-[PT1A,PT3A,PLM]	120-277	76	7138.4	93.97	7	0.9	4000	74
SKY-LED80-B-5K-XX-XXX-DIM-[PT1A,PT3A,PLM]	120-277	75.95	7138.4	93.97	7	0.9	5000	74

LEGEND

- B - 120V-277V,
- 4K - 4000K, 5K - 5000K
- XX- BEAM TYPE
- XXX - HOUSING FINISH
- DIM - 0-10V DIMMING
- PT1A - POST TOP MOUNT WITH CURVED ARM
- PT3A - POST TOP MOUNT WITH 3 ARMS
- PLM - POLE MOUNT

ORDERING GUIDE



MOUNTING	OPTIONS
PT3A - POST TOP MOUNT WITH 3 ARMS	PC - Photocell
PT1A - POST TOP MOUNT WITH CURVED ARM	
PLM - POLE MOUNT ARM FOR ROUND or SQUARE POLES	

*Standard Configuration.