



FL9S-LED400

LED Flood/Area Light



SPECIFICATIONS*

Watts	397
Lumens	57854
Efficacy	146
Replaces Up To	1000 HPS
Color Temp	4000K*, 5000K*
Certification	cULus, IP65, DLC Premium Wet Location
Operating Temp	-40°C to +40°C
Voltage	120-277V*, 480V
Lumen Maintenance	78% at 100,000 hours
Beam Pattern	T5 - Type 5*, T3 - Type 3
Total Harmonic Distortion	15%
Power Factor	0.9
CRI	70
Mounting Options	Yoke, Trunnion, Slip fitter, Slip fitter with Wall Adapter, Mounting Arm for Round or Square Poles.



DESCRIPTION

The FLS-LED series is a versatile, cost effective, Area/Flood Light that can suit a variety of applications such as parking lots, building facades, car dealerships

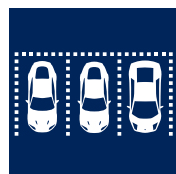
APPLICATIONS



Building
Facades



Car
Dealerships



Parking
Lots

FEATURES

- Universal Mounting – Yoke, Trunnion, Slip fitter, Slip fitter with Wall Adapter, Mounting Arm for Round or Square Poles. Mounting system to be ordered separately.
- Rugged Design - Die cast aluminum housing with polycarbonate lens.
- High Efficacy – 146 lumens per watt.
- Easy to Install – 1 meter power cord for easy connections, 0.3 meter cord for low voltage. Mounting system slides in place and is secured with 2 bolts.
- Motion sensor, photocell are optional.
- 0 – 10V dimming is standard.

*The above specs apply to the standard product configuration. For spec information on other product configurations please see page 2.

MODEL DESCRIPTION	VOLTAGE (V)	INPUT POWER	LIGHT OUTPUT	EFFICACY (Lm/W)	CLASSIFICATION	THD	PF	CCT(K)	CRI
FL9S-LED400-B-4K-T5-XXX-DIM-[DMS;PC;Blank]	120-277	397	57854	145.9	Premium	15.0	0.900	4000	70.0
FL9S-LED400-B-4K-T3-XXX-DIM-[DMS;PC;Blank]	120-277	399	57039	143.1	Premium	15.0	0.900	4000	70.0
FL9S-LED400-B-5K-T5-XXX-DIM-[DMS;PC;Blank]	120-277	397	58373	147.2	Premium	15.0	0.900	5000	70.0
FL9S-LED400-B-5K-T3-XXX-DIM-[DMS;PC;Blank]	120-277	399	57551	144.4	Premium	15.0	0.900	5000	70.0
FL9S-LED400-L-4K-T5-XXX-DIM-[DMS;PC;Blank]	480	387	57654	149.1	Premium	15.0	0.900	4000	70.0
FL9S-LED400-L-4K-T3-XXX-DIM-[DMS;PC;Blank]	480	387	56929	147.0	Premium	15.0	0.900	4000	70.0
FL9S-LED400-L-5K-T5-XXX-DIM-[DMS;PC;Blank]	480	387	58148	150.3	Premium	15.0	0.900	5000	70.0
FL9S-LED400-L-5K-T3-XXX-DIM-[DMS;PC;Blank]	480	387	57435	148.3	Premium	15.0	0.900	5000	70.0

LEGEND

- B - 120V-277V, L - 480V
- 4K - 4000K, 5K - 5000K
- T3 - TYPE 3, T5 - TYPE 5
- XXX - HOUSING FINISH
- DIM - DIMMABLE
- DMS - Dimming Motion Sensor
- PC - Photocell

AMPERAGE DRAW & SURGE PROTECTION

	CURRENT (A)					SURGE PROTECTION (kV)	
	120V	208V	240V	277V	480V	120-277V	480V
FL9S-LED400	3.5A	2.02A	1.75A	1.52A	0.88A	4kV	10kV

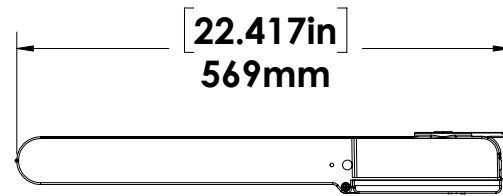
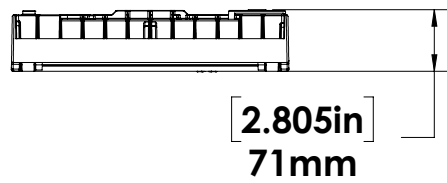
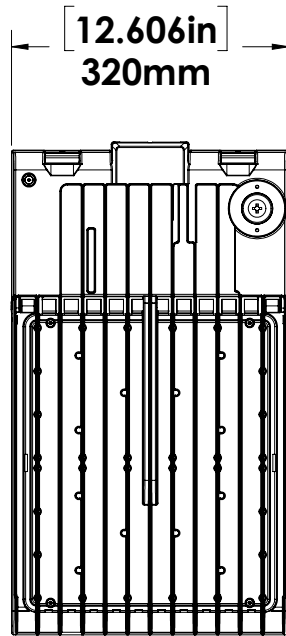
LUMEN MAINTENANCE

Hours	50,000	75,000	100,000
FL9S-LED400	88%	83%	78%

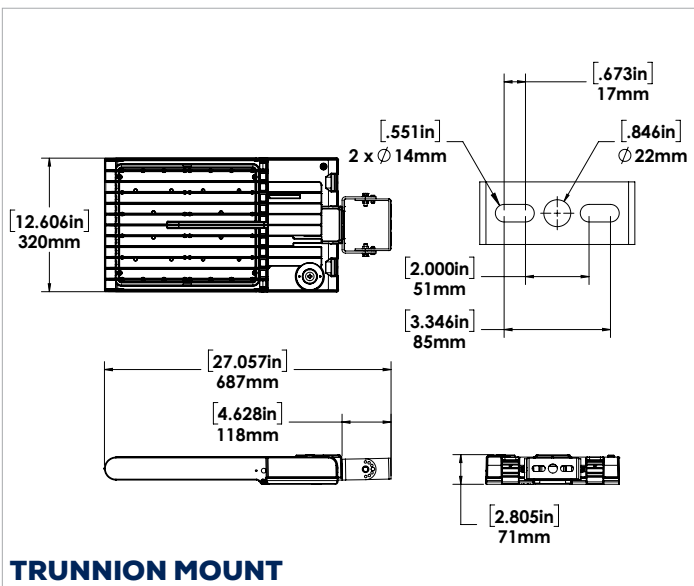
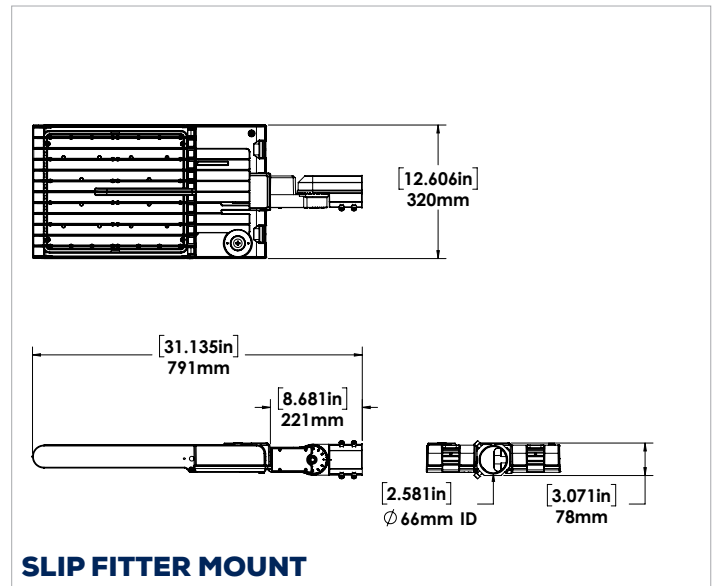
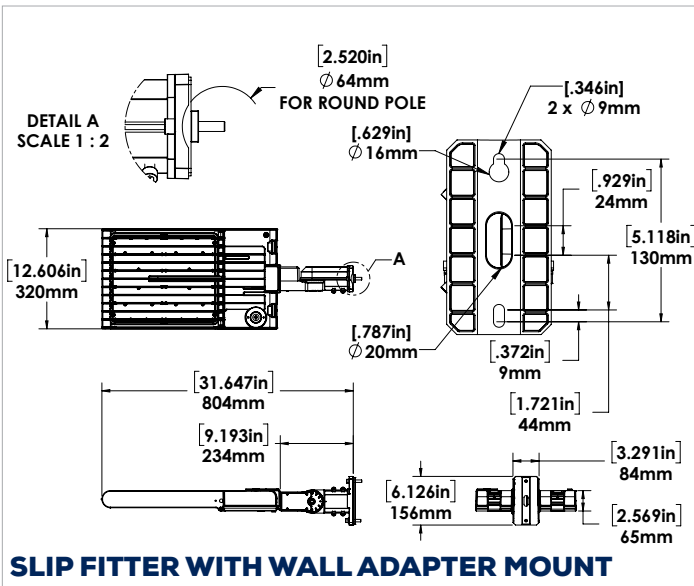
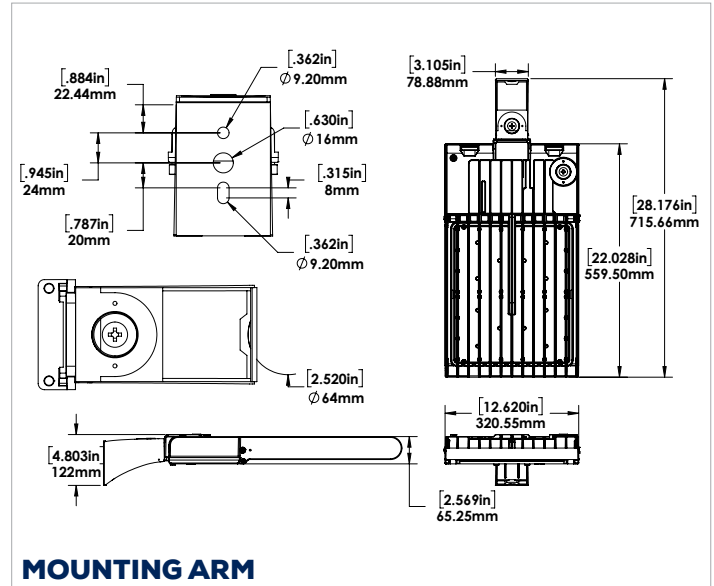
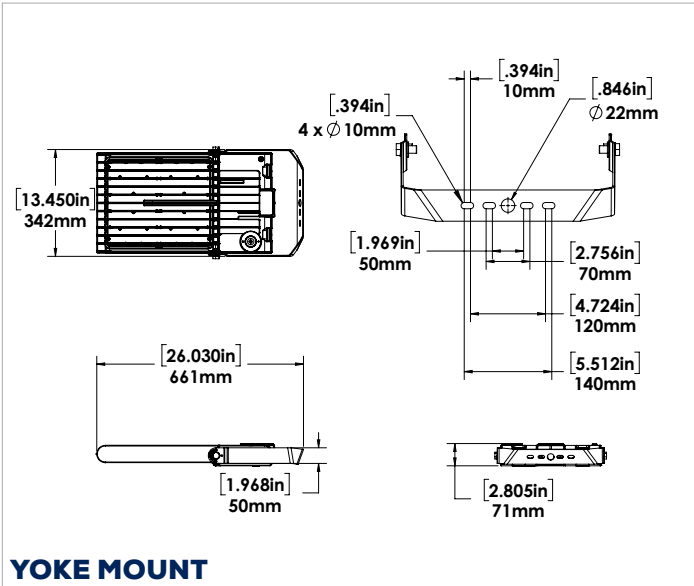
EPA

Tilt	0° Tilt	45° Tilt	90° Tilt
FL9S	0.69	2.11	2.79

DIMENSIONS



ACCESSORY DIMENSIONS



1 meter cord for line voltage and 0.3 meter cord for low voltage dimming.

ORDERING GUIDE

FL9S						DIM	
WATTS	VOLTAGE	COLOR TEMP.	BEAM	FINISH	DRIVER	CONTROLS	
LED400	B - 120 - 277V*	5K - 5000K*	T5 - TYPE 5*	BRZ - Bronze*	DIM - 0-10V DIMMING*	PC - PHOTOCELL	
	L -480V	4K - 4000K*	T3 - TYPE 3	CC- Custom		DMS - Dimmable motion sensor	

*Standard

7PIN - 7 Pin receptacle for smart control systems

FIELD INSTALLED ACCESSORIES

CHECK THE ACCESSORIES YOU WISH TO ORDER:

- 052026 FL9S YOKE BRZ
- 052027 FL5S/FL6S/FL8S/FL9S SLIP FITTER BRZ
- 052028 FL5S/FL6S/FL8S/FL9S TRUNNION BRZ
- 052029 FL5S/FL6S/FL8S/FL9S MOUNTING ARM BRZ
- 052030 FL5S/FL6S/FL8S/FL9S SLIP FITTER W/WALL ADAPTER BRZ