



# FL8S-LED300

## LED Flood Light



### SPECIFICATIONS\*

Watts	296
Lumens	40539
Efficacy	137
Replaces Up To	1000 MH
Colour Temp	4000K*, 5000K*
Certification	cULus, IP65, DLC Premium Wet Locations
Operating Temp	-40°C to +40°C
Voltage	120-277V*, 480V
Lumen Maintenance	78% at 100,000 hours
Beam Pattern	T5 - Type 5*, T3 - Type 3
Total Harmonic Distortion	15%
Power Factor	0.9
CRI	70
Mounting Options	Yoke, Trunnion, Slip fitter, Slip fitter with Wall Adapter, Mounting Arm for Round or Square Poles.



## DESCRIPTION

The FLS-LED series is a versatile, cost effective, Area/Flood Light that can suit a variety of applications such as parking lots, building facades, car dealerships

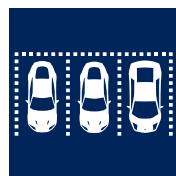
## APPLICATIONS



Building  
Facades



Car  
Dealerships



Parking  
Lots

## FEATURES

- Universal Mounting – Yoke, Trunnion, Slip fitter, Slip fitter with Wall Adapter, Mounting Arm for Round or Square Poles. Mounting system to be ordered separately.
- Rugged Design - Die cast aluminum housing with polycarbonate lens.
- High Efficacy – 135 lumens per watt.
- Easy to Install – 1 meter power cord for easy connections, 0.3 meter cord for low voltage. Mounting system slides in place and is secured with 2 bolts.
- Motion sensor, photocell are optional.
- 0 – 10V dimming is standard.

\*The above specs apply to the standard product configuration. For spec information on other product configurations please see page 2.

MODEL DESCRIPTION	VOLTAGE (V)	INPUT POWER (W)	LIGHT OUTPUT	EFFICACY (Lm/W)	CLASSIFICATION	THD	PF	CCT(K)	CRI
FL8S-LED300-B-4K-T5-XXX-DIM-[DMS;PC;Blank]	120-277	296	40539	136.8	Premium	15.0	0.900	4000	70.0
FL8S-LED300-B-4K-T3-XXX-DIM-[DMS;PC;Blank]	120-277	297	39946	134.7	Premium	15.0	0.900	4000	70.0
FL8S-LED300-B-5K-T5-XXX-DIM-[DMS;PC;Blank]	120-277	296	40918	138.1	Premium	15.0	0.900	5000	70.0
FL8S-LED300-B-5K-T3-XXX-DIM-[DMS;PC;Blank]	120-277	297	40351	136.0	Premium	15.0	0.900	5000	70.0
FL8S-LED300-L-4K-T5-XXX-DIM-[DMS;PC;Blank]	480	283	40569	143.5	Premium	15.0	0.900	4000	70.0
FL8S-LED300-L-4K-T3-XXX-DIM-[DMS;PC;Blank]	480	284	38856	136.6	Premium	15.0	0.900	4000	70.0
FL8S-LED300-L-5K-T5-XXX-DIM-[DMS;PC;Blank]	480	283	40945	144.8	Premium	15.0	0.900	5000	70.0
FL8S-LED300-L-5K-T3-XXX-DIM-[DMS;PC;Blank]	480	284	39216	137.9	Premium	15.0	0.900	5000	70.0

**LEGEND**

- B - 120V-277V, L - 480V
- 4K - 4000K, 5K - 5000K
- T3 - TYPE 3, T5 - TYPE 5
- XXX - HOUSING FINISH
- DIM - DIMMABLE
- DMS - Dimming Motion Sensor
- PC - Photocell

## AMPERAGE DRAW & SURGE PROTECTION

	CURRENT (A)					SURGE PROTECTION (kV)	
	120V	208V	240V	277V	480V	120-277V	480V
FL8S-LED300	2.63A	1.52A	1.32A	1.14A	0.66A	4kV	10kV

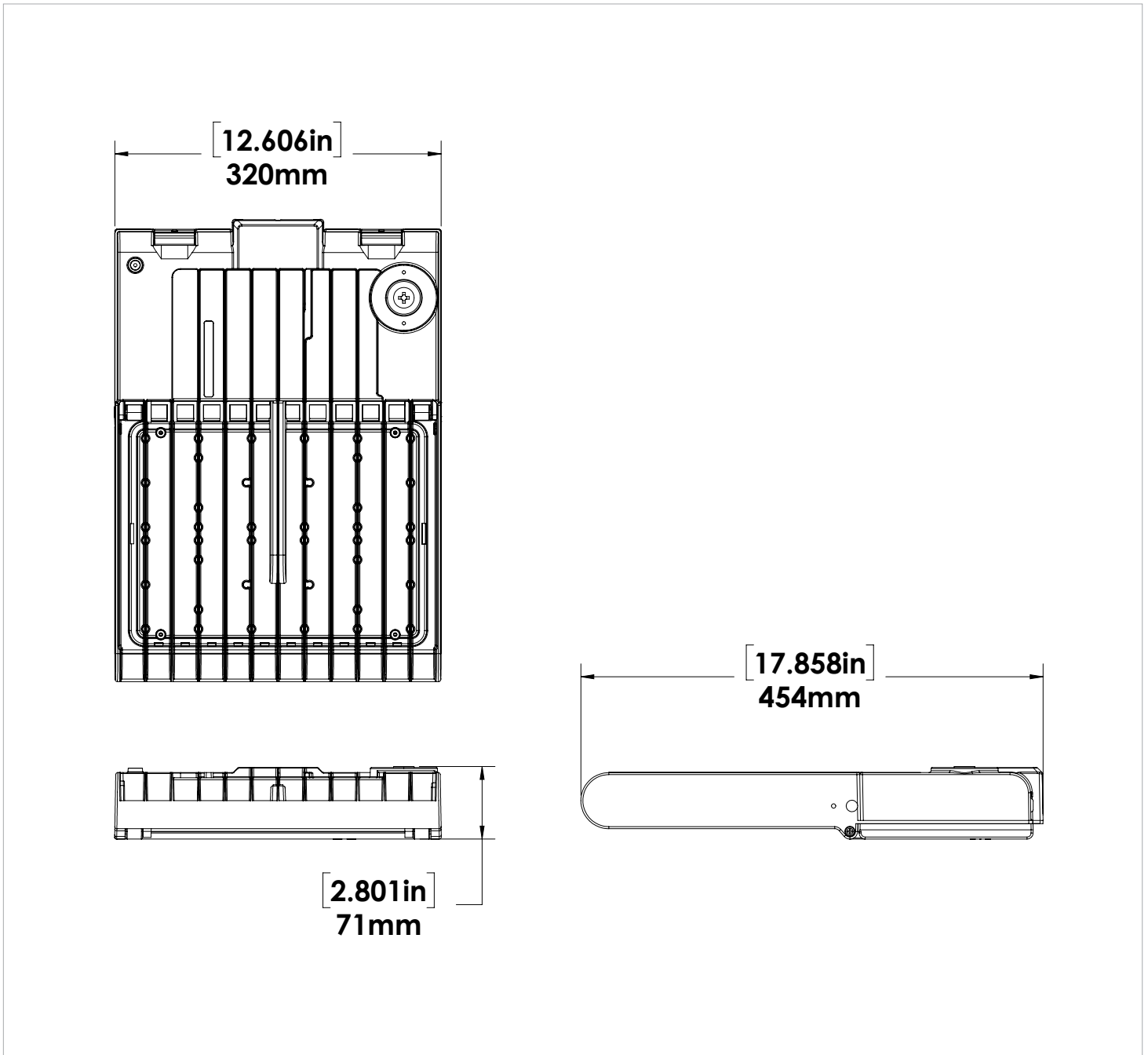
### LUMEN MAINTENANCE

Hours	50,000	75,000	100,000
FL8S-LED300	88%	83%	78%

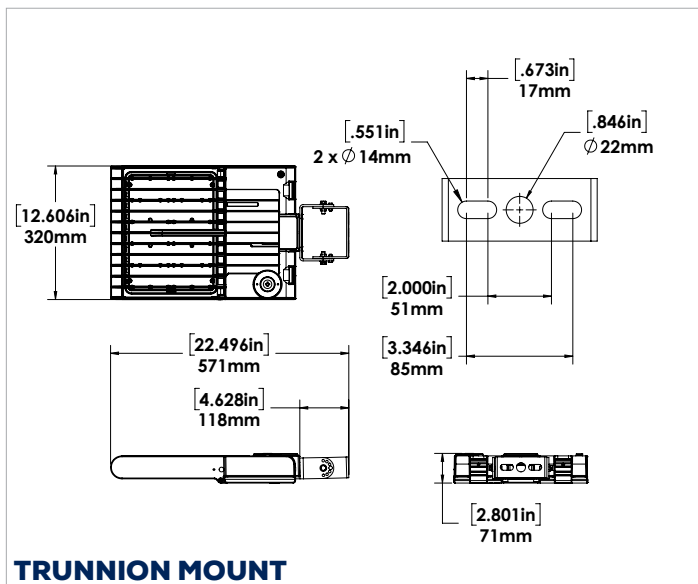
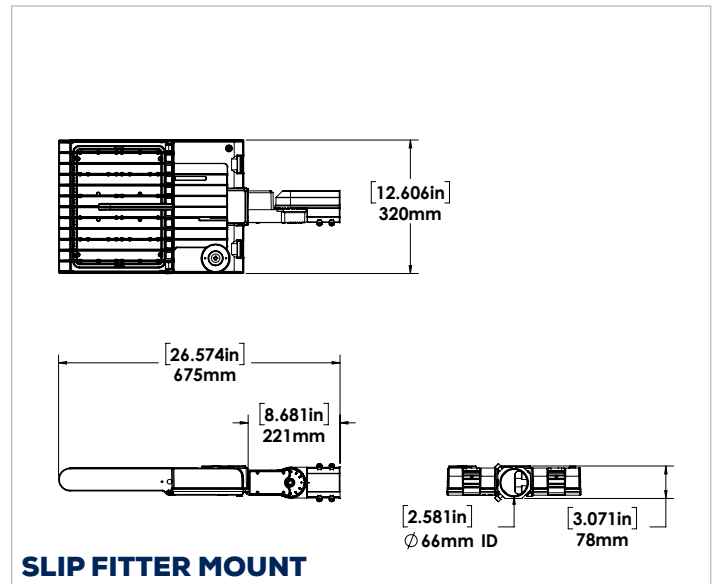
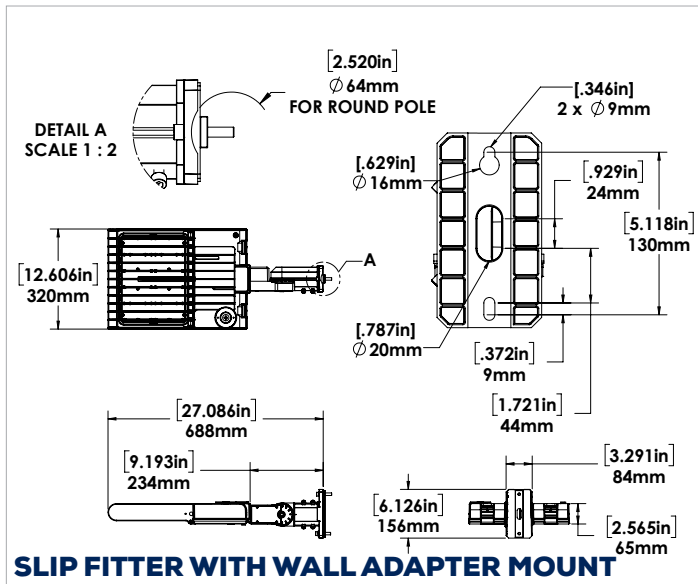
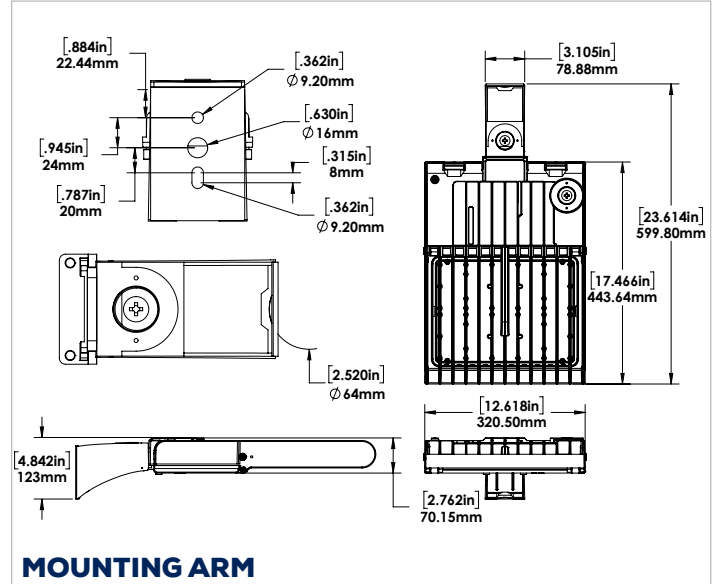
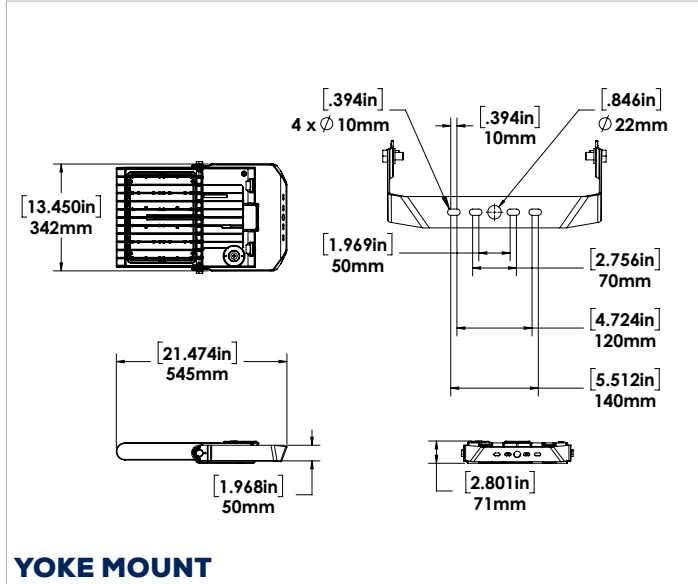
### EPA

Tilt	0° Tilt	45° Tilt	90° Tilt
FL8S	0.60	1.73	2.26

## DIMENSIONS



**ACCESSORY DIMENSIONS**



1 meter cord for line voltage and 0.3 meter cord for low voltage dimming.

## ORDERING GUIDE

<b>FL8S</b>						<b>DIM</b>	
WATTS	VOLTAGE	COLOR TEMP.	BEAM	FINISH	DRIVER	CONTROLS	
LED300	B - 120 - 277V*	5K - 5000K*	T5 - TYPE 5*	BRZ - Bronze*	DIM - 0-10V DIMMING*	PC - PHOTOCELL	
	L - 480V	4K - 4000K*	T3 - TYPE 3	CC- Custom		DMS - Dimmable motion sensor	

\*Standard

7PIN - 7 Pin receptacle for smart control systems

### FIELD INSTALLED ACCESSORIES

CHECK THE ACCESSORIES YOU WISH TO ORDER:

- 052026 FL8S YOKE BRZ
- 052027 FL5S/FL6S/FL8S/FL9S SLIP FITTER BRZ
- 052028 FL5S/FL6S/FL8S/FL9S TRUNNION BRZ
- 052029 FL5S/FL6S/FL8S/FL9S MOUNTING ARM BRZ
- 052030 FL5S/FL6S/FL8S/FL9S SLIP FITTER W/WALL ADAPTER BRZ