



FL6S-LED230

LED Area/Flood Light



SPECIFICATIONS*

| | |
|---------------------------|---|
| Watts | 228 |
| Lumens | 32630 |
| Efficacy | 143 |
| Replaces Up To | 750 MH |
| Color Temp | 4000K*, 5000K* |
| Certification | cULus, IP65, DLC Premium Wet location |
| Operating Temp | -40°C to +40°C |
| Voltage | 120-277V*, 480V |
| Lumen Maintenance | 78% at 100,000 hours |
| Beam Pattern | T5 - Type 5* T3 - Type 3 |
| Total Harmonic Distortion | 15% |
| Power Factor | 0.9 |
| CRI | 70 |
| Mounting Options | Yoke, Trunnion, Slip fitter, Slip fitter with Wall Adapter, Mounting Arm for Round or Square Poles. |



DESCRIPTION

The FLS-LED series is a versatile, cost effective, Area/Flood Light that can suit a variety of applications such as parking lots, building facades, car dealerships

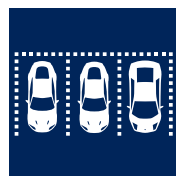
APPLICATIONS



Building
Facades



Car
Dealerships



Parking
Lots

FEATURES

- Universal Mounting – Yoke, Trunnion, Slip fitter, Slip fitter with Wall Adapter, Mounting Arm for Round or Square Poles. Mounting system to be ordered separately.
- Rugged Design - Die cast aluminum housing with polycarbonate lens.
- High Efficacy – 143 lumens per watt.
- Easy to Install – 1 meter power cord for easy connections, 0.3 meter cord for low voltage. Mounting system slides in place and is secured with 2 bolts.
- Motion sensor, photocell are optional.
- 0 – 10V dimming is standard.

*The above specs apply to the standard product configuration. For spec information on other product configurations please see page 2.

| MODEL DESCRIPTION | VOLTAGE (V) | INPUT POWER | LIGHT OUTPUT | EFFICACY (Lm/W) | CLASSIFICATION | THD | PF | CCT(K) | CRI |
|--|-------------|-------------|--------------|-----------------|----------------|------|-------|--------|------|
| FL6S-LED230-B-4K-T5-XXX-DIM-[DMS;PC;Blank] | 120-277 | 228 | 32630 | 143.2 | Premium | 15.0 | 0.900 | 4000 | 70.0 |
| FL6S-LED230-B-4K-T3-XXX-DIM-[DMS;PC;Blank] | 120-277 | 229 | 31756 | 138.5 | Premium | 15.0 | 0.900 | 4000 | 70.0 |
| FL6S-LED230-B-5K-T5-XXX-DIM-[DMS;PC;Blank] | 120-277 | 228 | 32917 | 144.4 | Premium | 15.0 | 0.900 | 5000 | 70.0 |
| FL6S-LED230-B-5K-T3-XXX-DIM-[DMS;PC;Blank] | 120-277 | 229 | 32063 | 139.9 | Premium | 15.0 | 0.900 | 5000 | 70.0 |
| FL6S-LED230-L-4K-T5-XXX-DIM-[DMS;PC;Blank] | 480 | 223 | 31954 | 143.3 | Premium | 15.0 | 0.900 | 4000 | 70.0 |
| FL6S-LED230-L-4K-T3-XXX-DIM-[DMS;PC;Blank] | 480 | 225 | 31440 | 139.7 | Premium | 15.0 | 0.900 | 4000 | 70.0 |
| FL6S-LED230-L-5K-T5-XXX-DIM-[DMS;PC;Blank] | 480 | 223 | 32239 | 144.6 | Premium | 15.0 | 0.900 | 5000 | 70.0 |
| FL6S-LED230-L-5K-T3-XXX-DIM-[DMS;PC;Blank] | 480 | 225 | 31736 | 141.1 | Premium | 15.0 | 0.900 | 5000 | 70.0 |

LEGEND

- B - 120V-277V, L - 480
- 4K - 4000K, 5K - 5000K,
- T3 - TYPE 3, T5 - TYPE 5
- XXX - HOUSING FINISH
- DIM - DIMMABLE
- DMS - Dimming Motion Sensor
- PC - Photocell

AMPERAGE DRAW & SURGE PROTECTION

| | CURRENT (A) | | | | | SURGE PROTECTION (kV) | |
|-------------|-------------|-------|-------|-------|-------|-----------------------|------|
| | 120V | 208V | 240V | 277V | 480V | 120-277V | 480V |
| FL6S-LED230 | 2.02A | 1.17A | 1.01A | 0.88A | 0.51A | 4kV | 10kV |

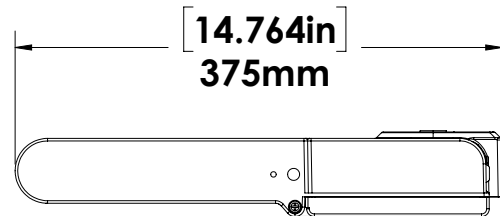
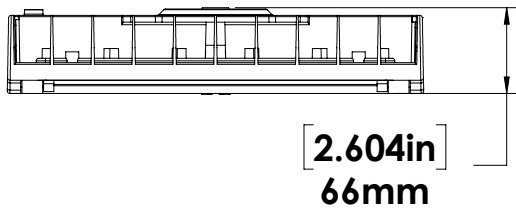
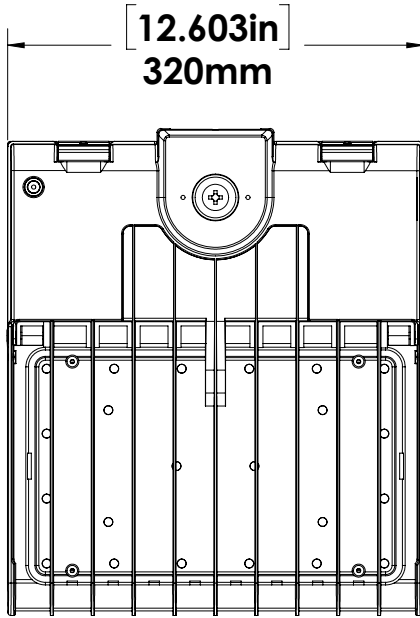
LUMEN MAINTENANCE

| Hours | 50,000 | 75,000 | 100,000 |
|-------------|--------|--------|---------|
| FL6S-LED230 | 88% | 83% | 78% |

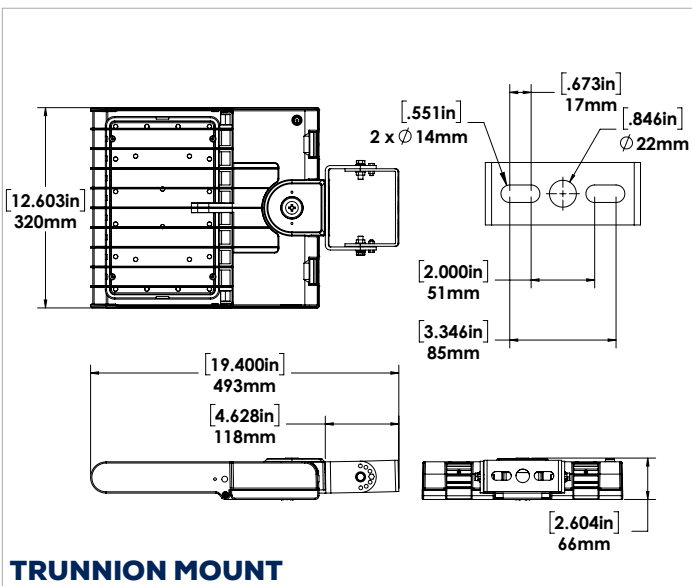
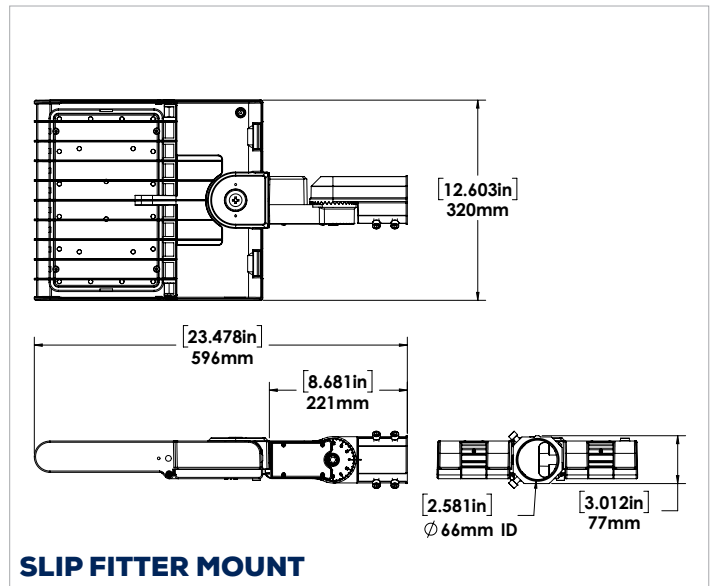
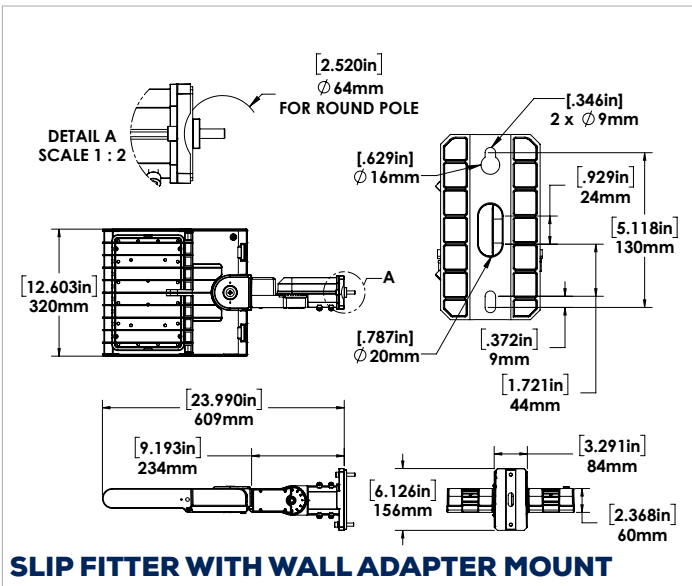
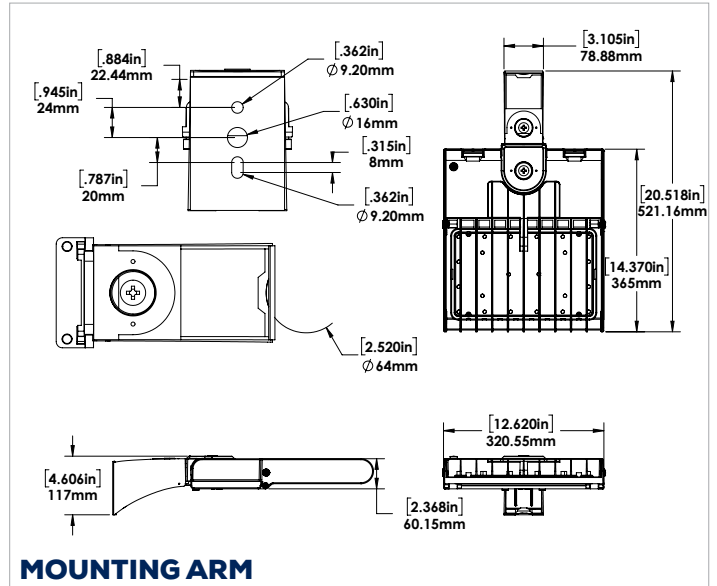
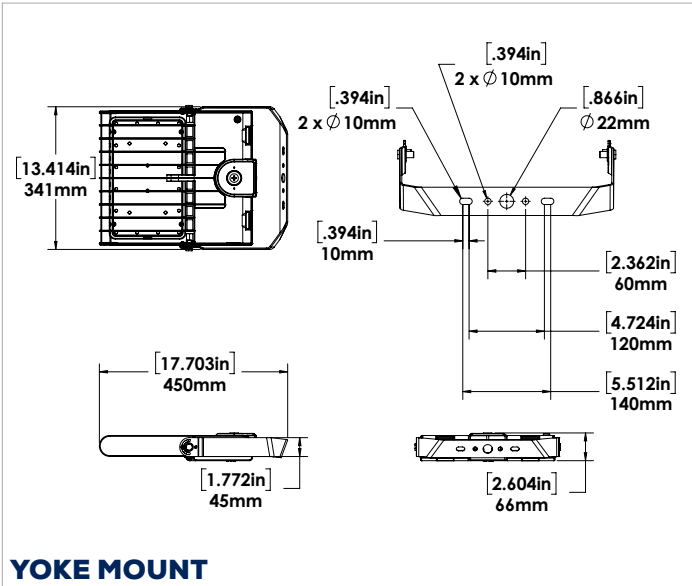
EPA

| Tilt | 0° Tilt | 45° Tilt | 90° Tilt |
|------|---------|----------|----------|
| FL6S | 0.51 | 1.43 | 1.89 |

DIMENSIONS



ACCESSORY DIMENSIONS



1 meter cord for line voltage and 0.3 meter cord for low voltage dimming.

ORDERING GUIDE



| WATTS | VOLTAGE | COLOR TEMP. | BEAM | FINISH | DRIVER | CONTROLS |
|--------|-----------------|-------------|--------------|---------------|----------------------|------------------------------|
| LED230 | B - 120 - 277V* | 5K - 5000K* | T5 - TYPE 5* | BRZ - Bronze* | DIM - 0-10V DIMMING* | PC - PHOTOCELL |
| | L - 480V | 4K - 4000K* | T3 - TYPE 3 | CC- Custom | | DMS - Dimmable motion sensor |

7PIN - 7 Pin receptacle for smart control systems

FIELD INSTALLED ACCESSORIES

CHECK THE ACCESSORIES YOU WISH TO ORDER:

- 052025 FL6S YOKE BRZ
- 052027 FL5S/FL6S/FL8S/FL9S SLIP FITTER BRZ
- 052028 FL5S/FL6S/FL8S/FL9S TRUNNION BRZ
- 052029 FL5S/FL6S/FL8S/FL9S MOUNTING ARM BRZ
- 052030 FL5S/FL6S/FL8S/FL9S SLIP FITTER W/WALL ADAPTER BRZ

*Standard