



# FL5S-LED100/150

## LED Area/Flood Light



SPECIFICATIONS*	FL5S-LED100	FL5S-LED150
Watts	95	148
Lumens	13128	19792
Efficacy	138	134
Replaces Up To	250W MH	400W MH
Color Temp	4000K*, 5000K*	
Certification	cULus, IP65, DLC Premium, Wet location	
Operating Temp	-40°C to +40°C	
Voltage	120-277V*, 480V	
Lumen Maintenance	78% at 100,000 hours	
Beam Pattern	T5 - Type 5* T3 - Type 3	
Total Harmonic Distortion	15%	
Power Factor	0.9	
CRI	70	
Mounting Options	Yoke, Trunion, Slip fitter, Slip fitter with Wall Adapter, Mounting Arm for Round or Square Poles.	



## DESCRIPTION

The FLS-LED series is a versatile, cost effective, Area/Flood Light that can suit a variety of applications such as parking lots, building facades, car dealerships

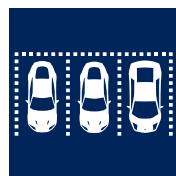
## APPLICATIONS



Building  
Facades



Car  
Dealerships



Parking  
Lots

## FEATURES

- Universal Mounting – Yoke, Trunion, Slip fitter, Slip fitter with Wall Adapter, Mounting Arm for Round or Square Poles. Mounting system to be ordered separately.
- Rugged Design - Die cast aluminum housing with polycarbonate lens.
- High Efficacy – 135 lumens per watt.
- Easy to Install – 1 meter power cord for easy connections, 0.3 meter cord for low voltage. Mounting system slides in place and is secured with 2 bolts.
- Motion sensor, photocell are optional.
- 0 – 10V dimming is standard.

\*The above specs apply to the standard product configuration. For spec information on other product configurations please see page 2.

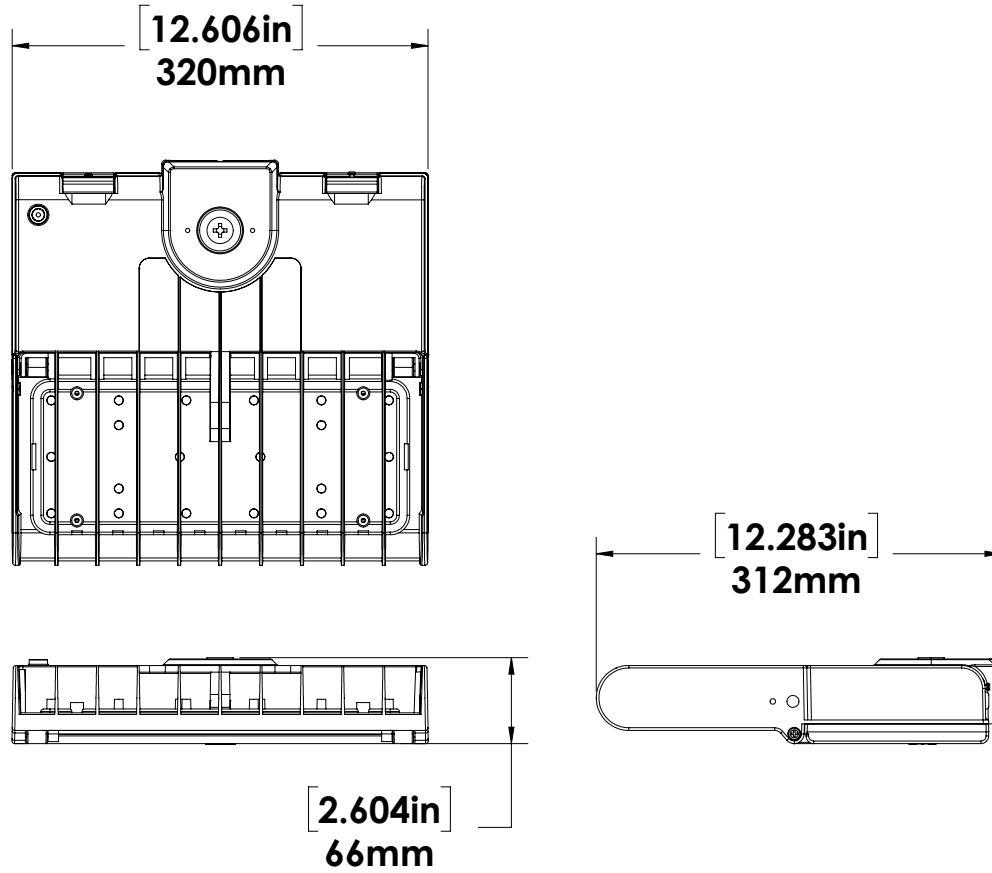
## OTHER MODEL SPECIFICATIONS

MODEL DESCRIPTION	VOLTAGE (V)	INPUT POWER (W)	LIGHT OUTPUT	EFFICACY (Lm/W)	CLASSIFICATION	THD	PF	CCT(K)	CRI
FL5S-LED100-B-4K-T5-XXX-DIM-[DMS;PC;Blank]	120-277	95	13128	137.8	Premium	15.0	0.900	4000	70.0
FL5S-LED100-B-4K-T3-XXX-DIM-[DMS;PC;Blank]	120-277	95	12998	136.3	Premium	15.0	0.900	4000	70.0
FL5S-LED100-B-5K-T5-XXX-DIM-[DMS;PC;Blank]	120-277	95	13255	139.1	Premium	15.0	0.900	5000	70.0
FL5S-LED100-B-5K-T3-XXX-DIM-[DMS;PC;Blank]	120-277	95	13126	137.7	Premium	15.0	0.900	5000	70.0
FL5S-LED100-L-4K-T5-XXX-DIM-[DMS;PC;Blank]	480	102	13753	134.7	Premium	15.0	0.900	4000	70.0
FL5S-LED100-L-4K-T3-XXX-DIM-[DMS;PC;Blank]	480	102	13766	135.4	Premium	15.0	0.900	4000	70.0
FL5S-LED100-L-5K-T5-XXX-DIM-[DMS;PC;Blank]	480	102	13889	136.1	Premium	15.0	0.900	5000	70.0
FL5S-LED100-L-5K-T3-XXX-DIM-[DMS;PC;Blank]	480	102	13924	137.0	Premium	15.0	0.900	5000	70.0
FL5S-LED150-B-4K-T5-XXX-DIM-[DMS;PC;Blank]	120-277	148	19792	133.9	Premium	15.0	0.900	4000	70.0
FL5S-LED150-B-4K-T3-XXX-DIM-[DMS;PC;Blank]	120-277	149	19146	128.8	Premium	15.0	0.900	4000	70.0
FL5S-LED150-B-5K-T5-XXX-DIM-[DMS;PC;Blank]	120-277	148	19992	135.2	Premium	15.0	0.900	5000	70.0
FL5S-LED150-B-5K-T3-XXX-DIM-[DMS;PC;Blank]	120-277	149	19381	130.4	Premium	15.0	0.900	5000	70.0
FL5S-LED150-L-4K-T5-XXX-DIM-[DMS;PC;Blank]	480	151	20649	137.0	Premium	15.0	0.900	4000	70.0
FL5S-LED150-L-4K-T3-XXX-DIM-[DMS;PC;Blank]	480	150	19690	130.9	Premium	15.0	0.900	4000	70.0
FL5S-LED150-L-5K-T5-XXX-DIM-[DMS;PC;Blank]	480	151	20846	138.3	Premium	15.0	0.900	5000	70.0
FL5S-LED150-L-5K-T3-XXX-DIM-[DMS;PC;Blank]	480	150	19916	132.4	Premium	15.0	0.900	5000	70.0

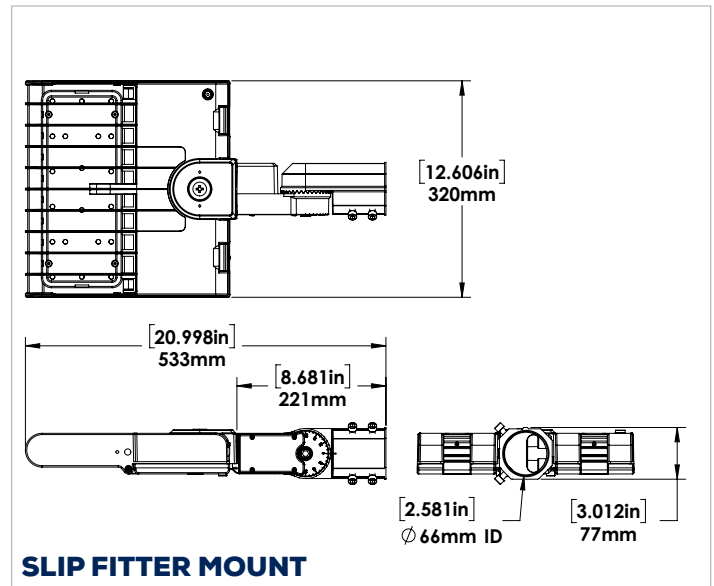
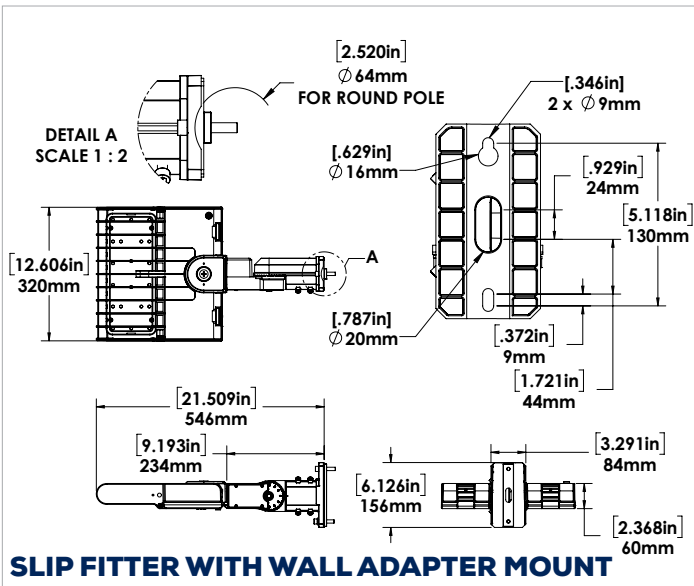
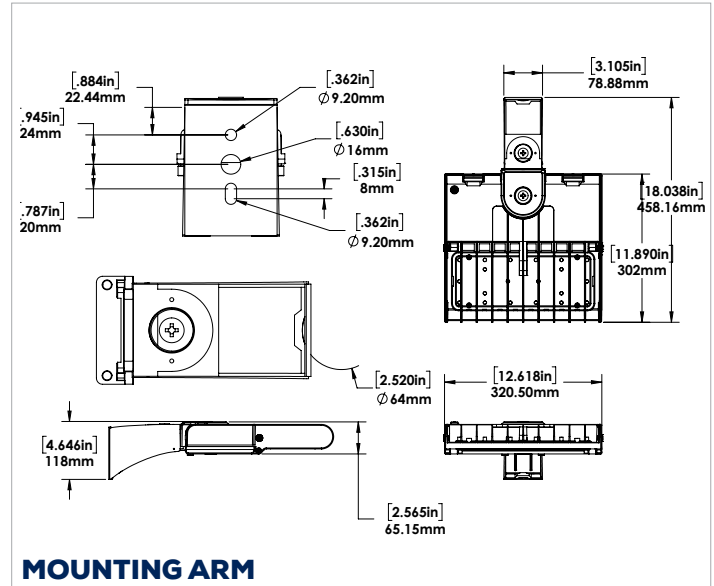
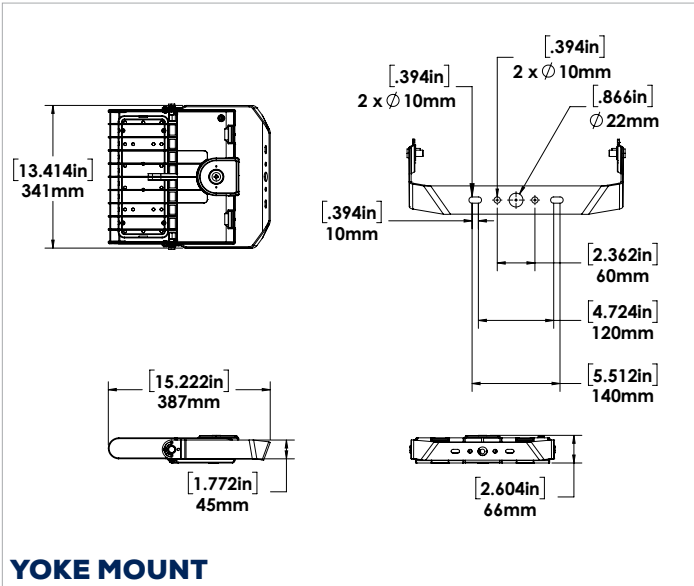
### LEGEND

- B - 120V-277V, L - 480V
- 4K - 4000K, 5K - 5000K
- T3 - TYPE 3, T5 - TYPE 5
- XXX - HOUSING FINISH
- DIM - DIMMABLE
- DMS - Dimming Motion Sensor
- PC - Photocell

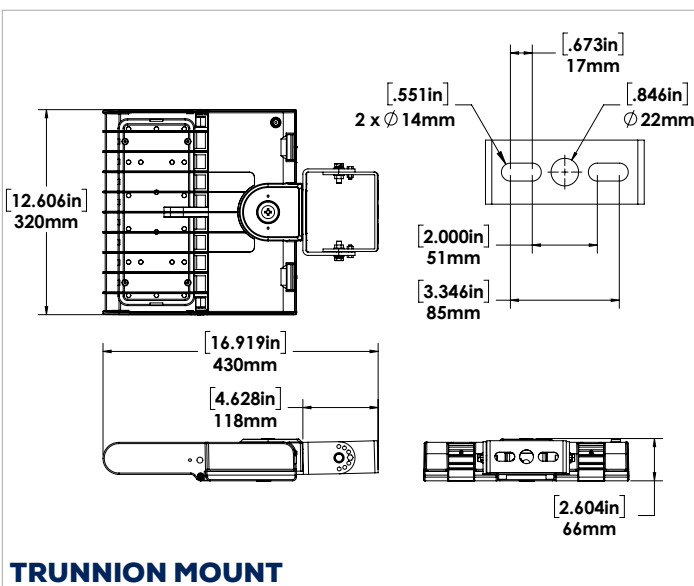
## DIMENSIONS



**ACCESSORY DIMENSIONS**



1 meter cord for line voltage and 0.3 meter cord for low voltage dimming.



## AMPERAGE DRAW & SURGE PROTECTION

	CURRENT (A)					SURGE PROTECTION (kV)	
	120V	208V	240V	277V	480V	120-277V	480V
FL5S-LED100	0.88A	0.51A	0.44A	0.38A	0.22A	6kV	10kV
FL5S-LED150	1.32A	0.76A	0.66A	0.57A	0.33A	6kV	10kV

### LUMEN MAINTENANCE

Hours	50,000	75,000	100,000
FL5S-LED100	88%	83%	78%
FL5S-LED150	88%	83%	78%

### EPA

Tilt	0° Tilt	45° Tilt	90° Tilt
FL5S	0.47	1.22	1.61

## ORDERING GUIDE

<b>FL5S</b>						<b>DIM</b>	
WATTS	VOLTAGE	COLOR TEMP.	BEAM	FINISH	DRIVER	CONTROLS	
LED100	B - 120 - 277V*	5K - 5000K*	T5 - TYPE 5*	BRZ - Bronze*	DIM - 0-10V DIMMING*	PC - PHOTOCELL	
LED150	L - 480V	4K - 4000K*	T3 - TYPE 3	CC- Custom		DMS - Dimmable motion sensor	

\*Standard

7PIN - 7 Pin receptacle for smart control systems

## FIELD INSTALLED ACCESSORIES

CHECK THE ACCESSORIES YOU WISH TO ORDER:

- 052025 FL5S YOKE BRZ
- 052027 FL5S/FL6S/FL8S/FL9S SLIP FITTER BRZ
- 052028 FL5S/FL6S/FL8S/FL9S TRUNNION BRZ
- 052029 FL5S/FL6S/FL8S/FL9S MOUNTING ARM BRZ
- 052030 FL5S/FL6S/FL8S/FL9S SLIP FITTER W/WALL ADAPTER BRZ