



XBAR1-LED

LED Area Light



SPECIFICATIONS*	XBAR1-LED35	XBAR1-LED75
Watts	31	75
Lumens	3675	9138
Efficacy lm/W	117.8	121.4
Replaces Up To	70-100W MH	150-175W MH
Color Temp	Colour Selectable - 3000K, 4000K, 5000K	
Operating Temp	-40°C to +50°C	
Voltage	120-277V, 480V	
Certification	cULus, IP65, DLC Premium	
Housing Material	Die Cast Aluminum	
Lens	Clear Polycarbonate Lens	
Power Factor	0.9	
Mounting	post top - fits a 3" tenon	
THD	15%	
CRI	80	



DESCRIPTION

The XBAR-LED Series is a slim, round post top area light with a colour selectable switch allowing you to choose a colour temperature of 3000K, 4000K or 5000K.

APPLICATIONS



Parking
Lots



Area
Lighting

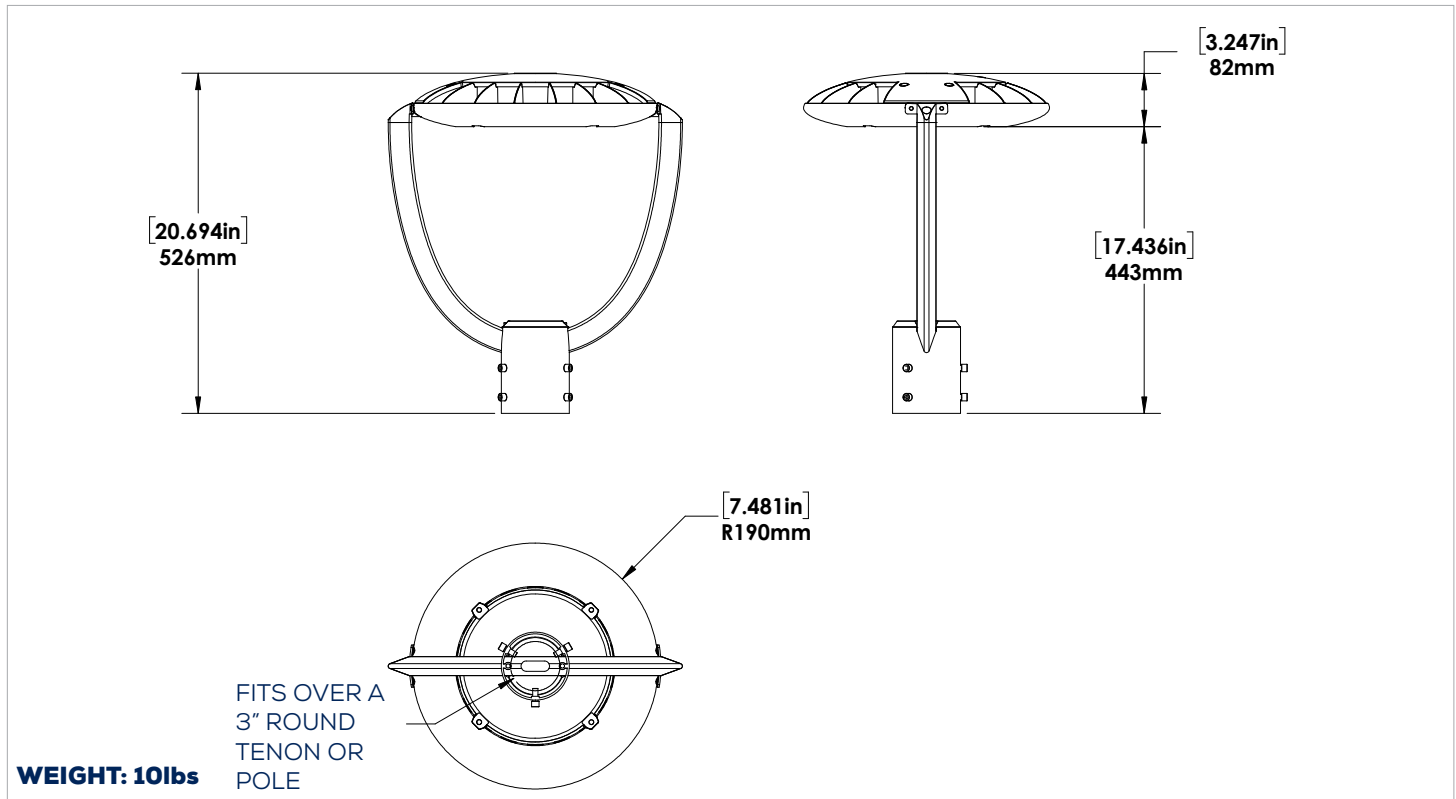


Commercial
Plaza

FEATURES

- Colour selectable fixture that gives you the flexibility to choose between 3000K, 4000K or 5000K CCT during installation
- Unit has a switch inside the housing that is set at a default CCT of 4000K that can be adjusted if needed.
- Ruggedly designed with die cast aluminum housing and polycarbonate lens.
- Fixture has been designed to fold neatly to minimize packaging footprint.
- Optional twist lock photocell

DIMENSIONS - XBAR 1



SURGE PROTECTION & AMPERAGE DRAW

	CURRENT (A)					SURGE PROTECTION (KV)	
	120V	208V	240V	277V	480V	120-277V	480V
XBAR1-LED35	0.31A	0.18A	0.16A	0.14A	0.08A	2kV	2kV
XBAR1-LED75	0.66A	0.38A	0.33A	0.29A	0.17A	10kV	10kV

LUMEN MAINTENANCE

Hours	50,000	75,000	100,000
XBAR1-LED35	90%	88%	81%
XBAR1-LED75	90%	88%	81%

EPA

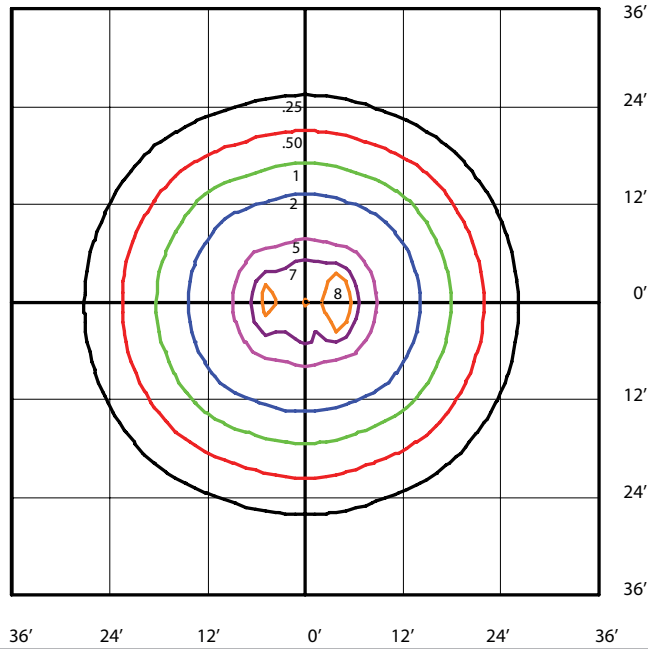
	0° Tilt
XBAR1	1.07

COMPACT FOLDING DESIGN FOR REDUCED PACKAGING FOOTPRINT

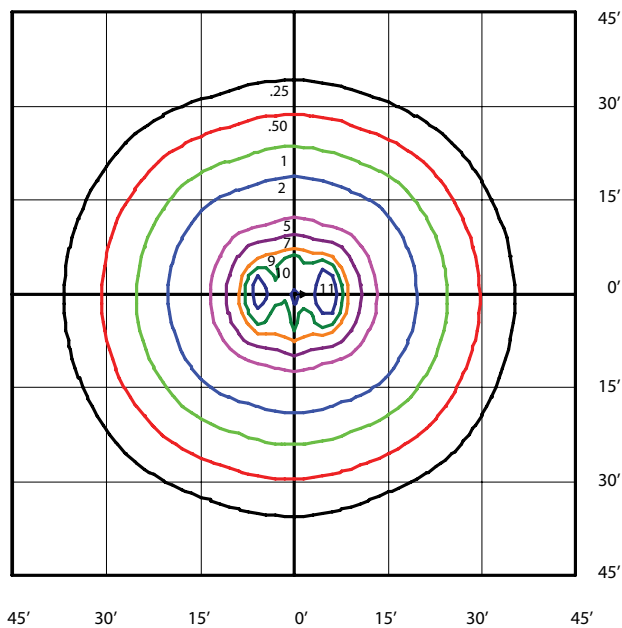


PHOTOMETRICS

**XBAR1-LED35-B-4K-90DEG-BLK-DIM-PCL
MOUNTED AT 12 FEET**



**XBAR1-LED75-B-4K-90DEG-BLK-DIM-PCL
MOUNTED AT 15 FEET**



SPECIFICATIONS

MODEL DESCRIPTION	VOLTAGE (V)	INPUT POWER (W)	LIGHT OUTPUT	EFFICACY (Lm/W)	THD	PF	CCT (K)	CRI
XBAR1-LED35-B-VK-90DEG-XXX-DIM-PCL	120-277	31	3675	117.8	15.0	0.900	3000/4000/5000	80.0
XBAR1-LED75-B-VK-90DEG-XXX-DIM-PCL	120-277	75	9138	121.4	15.0	0.900	3000/4000/5000	80.0
XBAR1-LED35-L-VK-90DEG-XXX-DIM-PCL	480	35	4314	123.1	15.0	0.900	3000/4000/5000	80.0
XBAR1-LED75-L-VK-90DEG-XXX-DIM-PCL	480	77	9611	124.2	15.0	0.900	3000/4000/5000	80.0

LEGEND

- B - 120V-277V, L - 480V
- VK - Variable color temp (3000K, 4000K, 5000K) Factory set to 4000K
- 90DEG - 90° Beam Distribution
- XXX - HOUSING FINISH
- DIM - 0-10V Dimming
- PCL - Polycarbonate lens

ORDERING GUIDE

XBAR1			VK	90DEG		DIM		PCL
WATTS	VOLTAGE	COLOR TEMP.	OPTICS	FINISH	DIM	CONTROLS	LENS	
LED35	B - 120 - 277V*	VK - VARIABLE COLOR TEMP (3K/4K/5K)	90DEG-90 DEGREE*	BLK- MATTE BLACK*	DIM - 0-10V DIMMING*	PC - DUSK TO DAWN ON/OFF PHOTOCCELL	PCL - POLYCARBONATE LENS*	
LED75	L - 480V	Factory Set to 4000K		CC- CUSTOM FINISH		7PIN- 7PIN SOCKET FOR SMART CONTROL SYSTEMS		

*Standard Configuration.