



LFX4-LED60

Linear Vapourproof Fixture



IDEAL APPLICATIONS



DESCRIPTION:

New and improved IP66 linear vapourproof fixture that is rugged in design, with conduit entries on the back and the side for ease on installation.

FEATURES:

Construction

Polycarbonate UV stabilized housing with opal lens. The lens attaches to the fixture using 6 stainless steel clips on either side. The LFX4-LED60 is ideal for mounting heights between 8' – 10' creating a wide even light distribution because of its rounded opal lens.

Lens

Fixture has a high grade polycarbonate lens that is UV stabilized.

LED information

The fixture contains a high efficiency LED strip that delivers a total output of 8,002 lumens at an efficacy of 130 lumens/watt. LEDs have a color temperature of 4000K as standard, 5000K is available as an option.

Finish

Grey Polycarbonate Finish

Electrical

Total system wattage of the unit is 62W. The standard unit has a high efficiency driver that operates at 120 - 277V.

Mounting

Fixture comes with 2 stainless steel mounting brackets that facilitate quick and easy mounting direct on the wall or ceiling. Additional mounting options include suspended chain mount. There are 4 conduit entries on the bottom and one conduit entry on either side.

Options

- Integrated High Frequency Sensor
- Battery backup

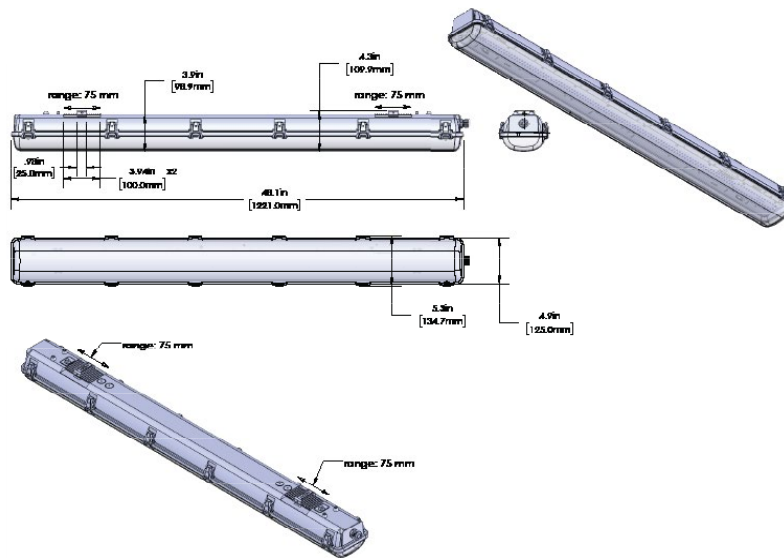
SPECIFICATIONS

LFX4-LED60

SPECIFICATIONS	LFX4-LED60
Watts (W)	62
Equivalent to	> 3 lamp T5 fluorescent fixture
Lumens (Lm)	8,002
Voltage	120-277V
Efficacy (Lm/W)	130
Operating Temp.	-40°C to +40°C
Color Temp.	4000K (standard) 5000K (option)
Dimming	0-10V Dim (10% to 100%)
CRI	>80
PF	0.9
THD	14.85%
LED Life	100,000 Hours
Finish	Grey
Certifications	UL, IP66, DLC, NEMA 4X, NSF



DIMENSIONS:

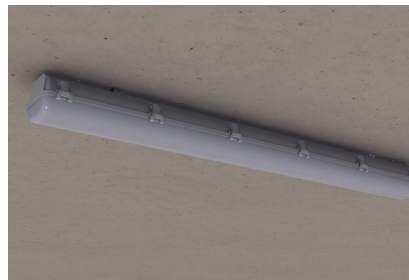


NOTE: Not for use in car wash facilities.

EASY INSTALLATION:



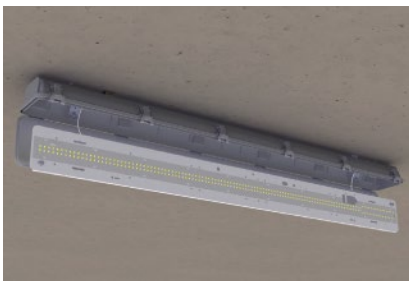
1. Mount stainless steel clips on the surface



2. Mount fixture onto clips



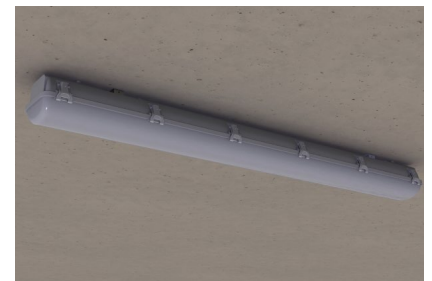
3. Open up the lens by unhooking polycarbonate clips on one side



4. Remove LED tray using the pull tabs on either side of the fixture
5. Both tray and lens hang while tethered to the fixture using a clip and lock system.
6. Connect wires using quick connects



7. Reattach the tray to the fixture



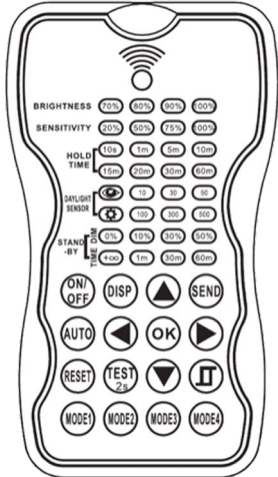
8. Reattach the lens to the fixture

DHFS MOTION SENSOR

Dimming High Frequency Motion Sensor is factory installed.

DEFAULT SENSOR SETTINGS					
BRIGHTNESS	SENSITIVITY	HOLD TIME	DAYLIGHT SENSOR	STAND-BY DIM	STAND-BY TIME
100%	100%	5 MINUTES	DISABLED	DIM: 30%	60 MINUTES

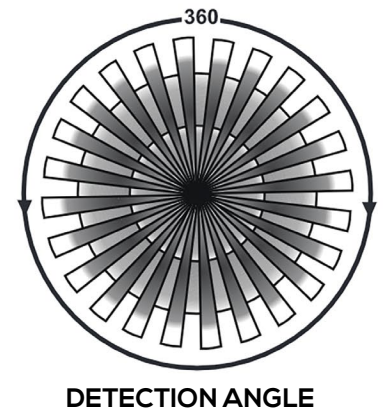
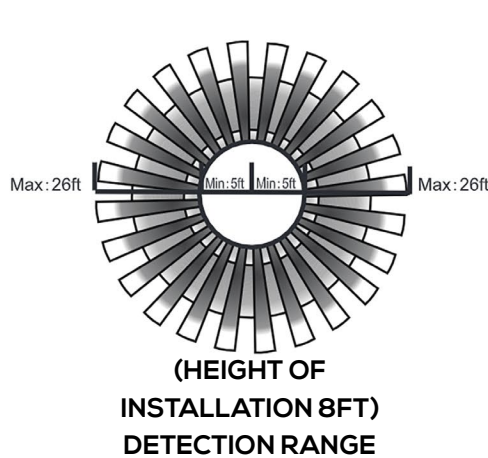
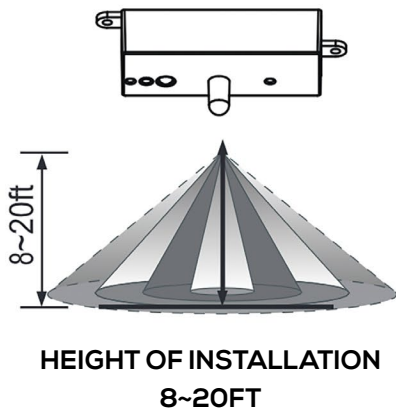
RC100 REMOTE



** Required additional purchase for custom configurations

DHFS SENSOR SPECIFICATIONS	
POWER SUPPLY	100-277 VAC, 50/60H
MAXIMUM LOAD	RESISTIVE/TUNGSTEN - 600W@120V ELECTRONIC BALLAST (LED) - 800VA@120V/1200VA@277V
HIGH FREQUENCY SYSTEM	5.8GHZ CW
DIM CONTROL OUTPUT	0-10V, MAX.25MA SINKING CURRENT
DETECTION RADIUS/ANGLE	MAX 8M (26FT) AT 360°
MOUNTING HEIGHT	MAX 6M (20FT)
HUMIDITY	MAX 95% RELATIVE HUMIDITY
OPERATING TEMP.	-40°C TO +70°C

DHFS DETECTION RANGE & RADIUS/ANGLE



ORDERING GUIDE:

Fixture	Wattage	Voltage	Color Temp.	Finish	Dimming	Lighting Controls	NSF	NEMA4X	Battery Back Up
LFX4-LED	LED60	B	4K - 4000K 5K - 5000K	GRY - Grey	DIM - 0-10V Dimming	Leave Blank-None* DHFS* - Dimming High frequency motion sensor (can be set as ON/OFF)	FS - NSF Certified	N4X - NEMA4X	Leave Blank - No Battery Backup BBK* - Battery Backup

* Not DLC listed

ORDERING GUIDE FOR ACCESSORIES

Options Sold Separately
Check the items that you wish to order:

087016 - RC100 Motion Sensor Remote Control