



# GCL-LED76

## Canopy Light



Shown with optional motion sensor.

### SPECIFICATIONS

Watts	75W
Lumens	10727
Efficacy (Lm/W)	143
Color Temp	4000K, 5000K*
Beam Angle	100X100°
Voltage	120-277V
CRI	>70
Housing Material	Aluminum
PF	>0.9
Operating Temp.	-40°C to +40°C
Certification	cULus, DLC Premium
LED Life	100,000 hours
Lens Material	Polycarbonate
Mounting	3/4" Pendant Mount

\*Standard Configuration



## DESCRIPTION

Ideal for gas stations, outdoor canopy structures such as overhangs, walkways and underground parking garages.

## APPLICATIONS



Gas Stations



Parking Garages



Walkways

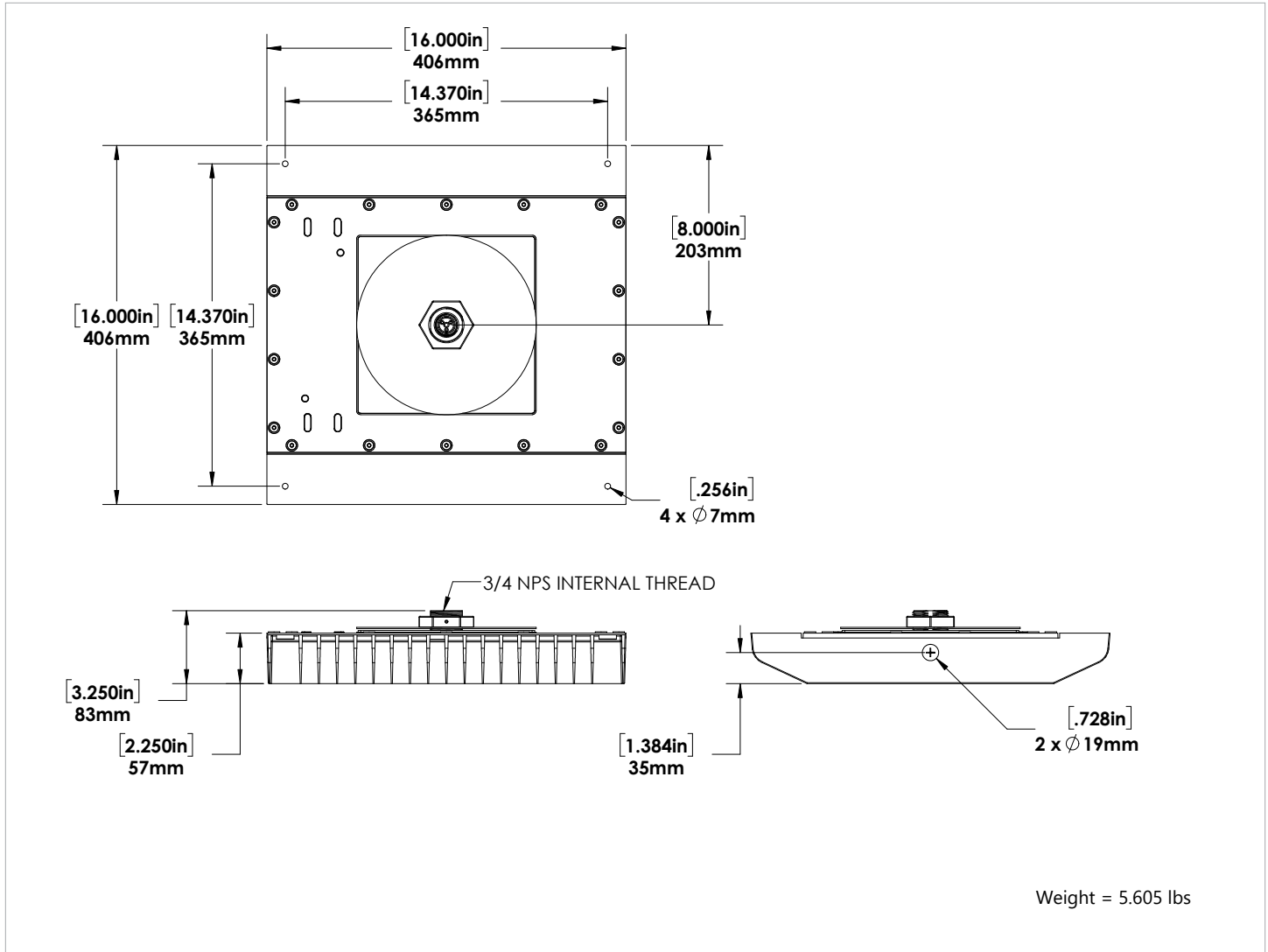


Overhangs

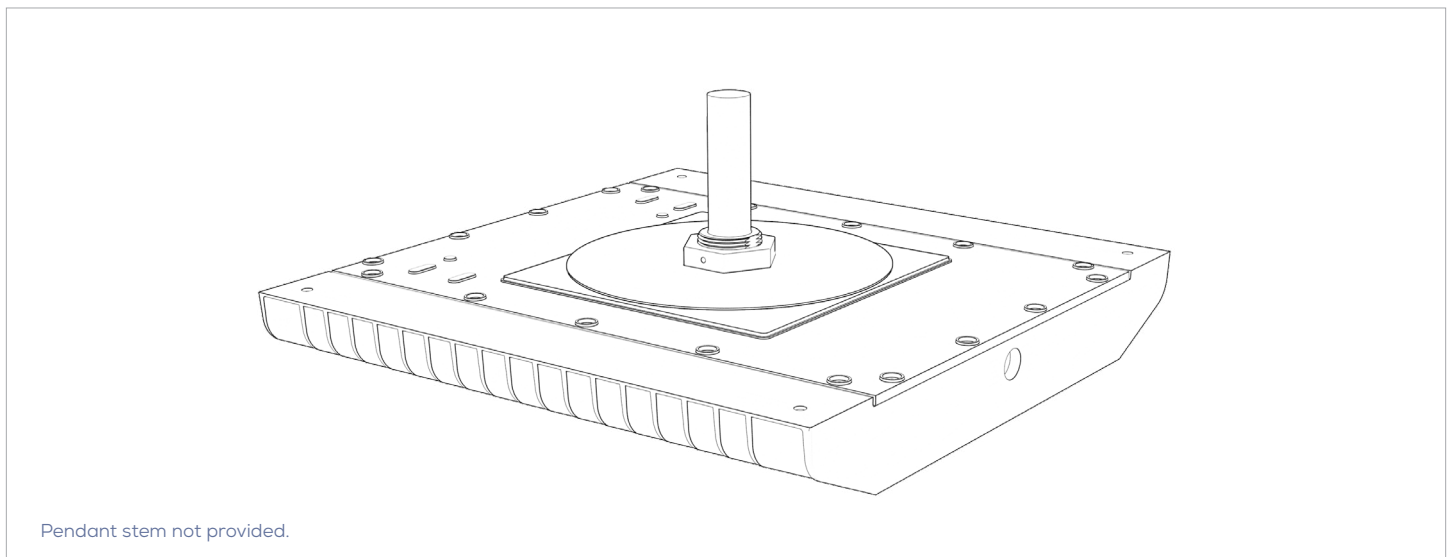
## FEATURES

- Rugged fixture with aluminum housing and polycarbonate lens.
- Slim profile fixture that mounts onto a pendant stem.
- High efficacy fixture that delivers approximately 150 lumens per watt.
- Motion sensor optional.
- White finish.

## DIMENSIONS

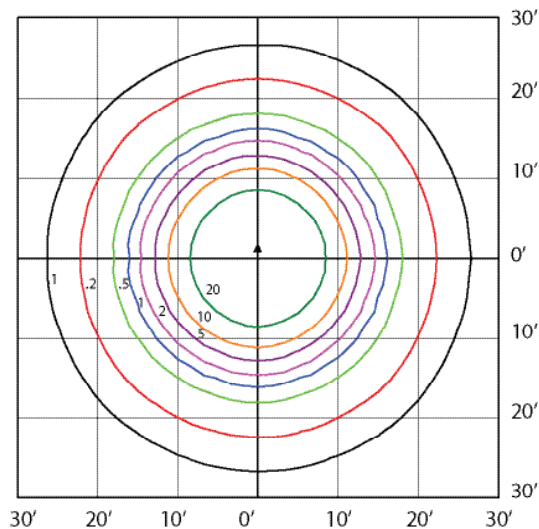


## PENDANT MOUNTING



## PHOTOMETRICS

**GCL-LED76-B-5K-DIM  
MOUNTED AT 10 FEET**



## MODEL SPECIFICATIONS

MODEL NUMBER	VOLTAGE (V)	WATTAGE (W)	LIGHT OUTPUT (LM)	EFFICACY (LM/W)	THD (%)	PF	CCT (K)	CRI
GCL-LED76-B-4K-XXX	120-277	75.81	11422	150.7	6.09	0.9839	3916	71.66
GCL-LED76-B-5K-XXX	120-277	74.78	10727	143.4	6.09	0.9839	5000	73.62

## ORDERING GUIDE

<b>GCL</b>	<b>LED76</b>					
	<b>VOLTAGE</b>	<b>COLOR TEMP.</b>	<b>FINISH</b>	<b>DIMMING</b>	<b>OPTIONS</b>	
	B - 120-277V*	4K - 4000K 5K - 5000K*	WHT - White*	DIM - 0-10V Dimming*	DMS - Dimming PIR Motion Sensor	

\*Standard Configuration