



GCL-LED120

Canopy Light



SPECIFICATIONS

Watts	116W
Lumens	16194
Efficacy (Lm/W)	139
Color Temp	4000K, 5000K*
Beam Angle	100X100°
Voltage	120-277V
CRI	>70
Housing Material	Aluminum
PF	>0.9
Operating Temp.	-40°C to +40°C
Certification	cULus, DLC Premium
LED Life	100,000 hours
Lens Material	Polycarbonate
Mounting	3/4" Pendant Mount

*Standard Configuration



DESCRIPTION

Ideal for gas stations, outdoor canopy structures such as overhangs, walkways and underground parking garages.

APPLICATIONS



Gas Stations



Parking
Garages



Walkways

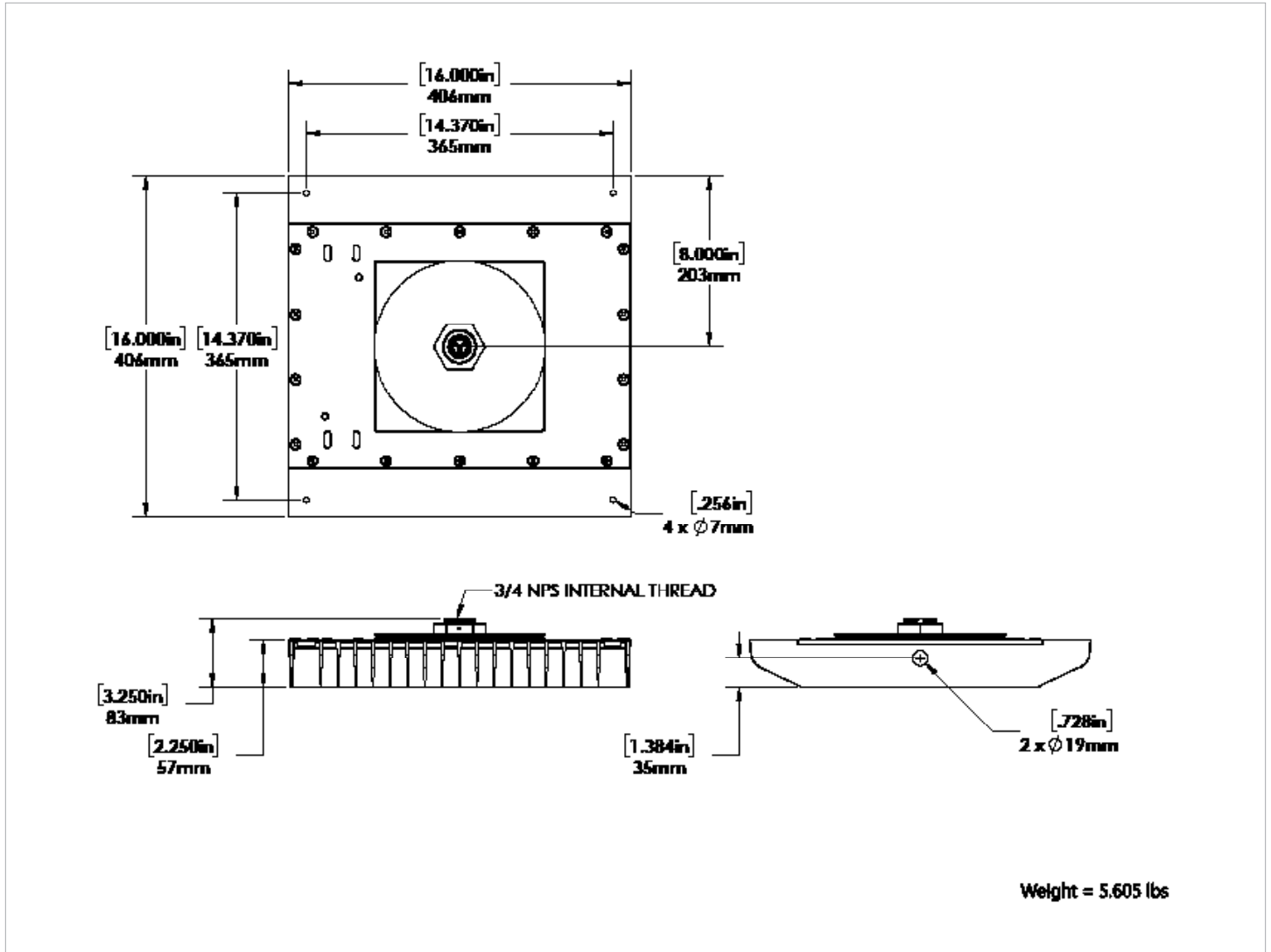


Overhangs

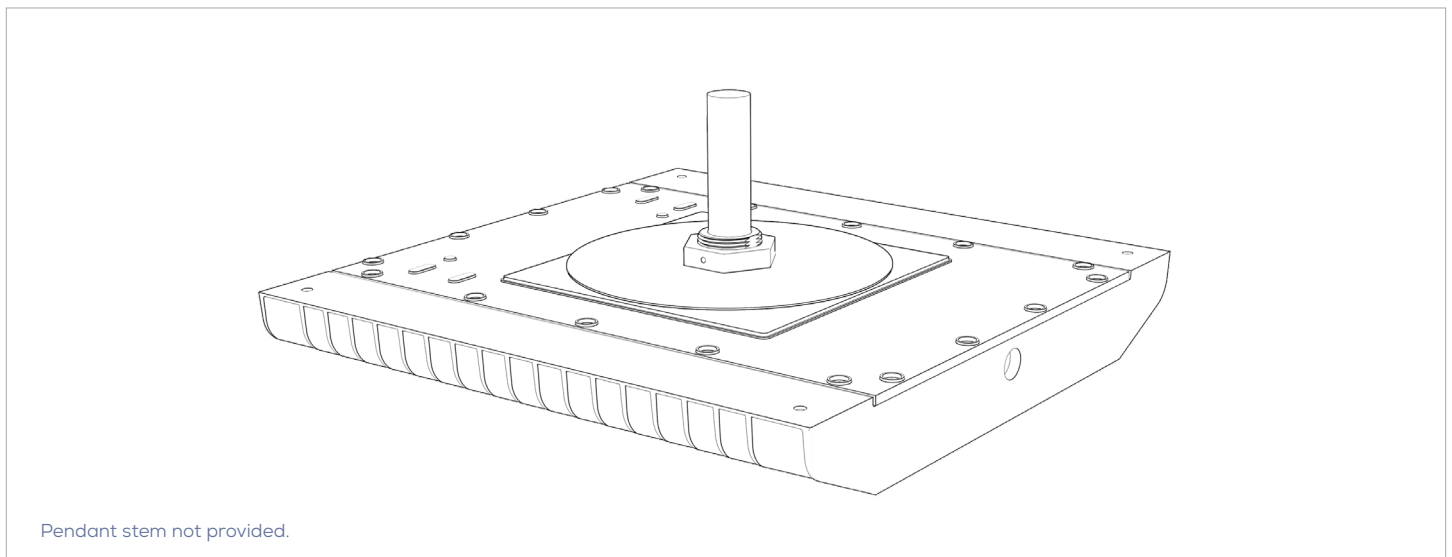
FEATURES

- Rugged fixture with aluminum housing and polycarbonate lens.
- Slim profile fixture that mounts onto a pendant stem.
- High efficacy fixture that delivers approximately 140 lumens per watt.
- Motion sensor optional.
- White finish.

DIMENSIONS

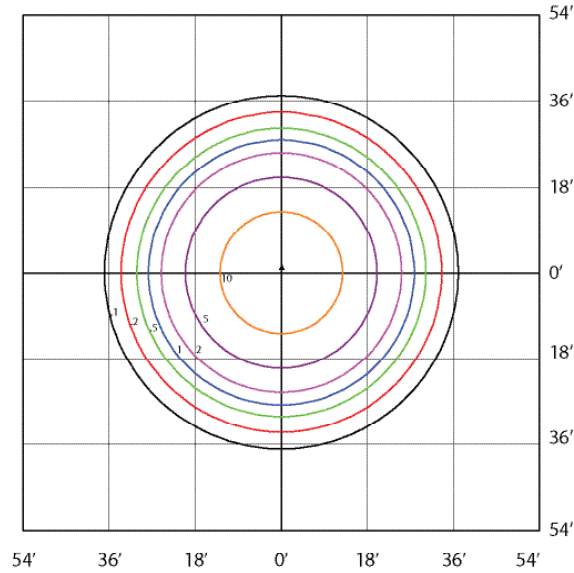


PENDANT MOUNTING



PHOTOMETRICS

**GCL-LED120-B-5K-DIM
MOUNTED AT 18 FEET**



MODEL SPECIFICATIONS

MODEL NUMBER	VOLTAGE (V)	WATTAGE (W)	LIGHT OUTPUT (LM)	EFFICACY (LM/W)	THD (%)	PF	CCT (K)	CRI
GCL-LED120-B-4K-XXX-DIM	120-277	116.51	16486	141.5	6.09	0.9839	3929	71.65
GCL-LED120-B-5K-XXX-DIM	120-277	116.2	16194	139.4	6.09	0.9839	4979	73.36

ORDERING GUIDE

GCL	LED120					
VOLTAGE	COLOR TEMP.	FINISH	DIMMING	OPTIONS		
B - 120-277V*	4K - 4000K 5K - 5000K*	WHT - White*	DIM - 0-10V Dimming*	DMS - Dimming PIR Motion Sensor		

*Standard Configuration