



GAMMA-LED40

LED Area Light

SPECIFICATIONS*

Watts	35
Lumens	3395
Efficacy	96 lm/W
Replaces Up To	150W MH
Color Temp	5000K, 4000K*
Operating Temp	-40°C to +40°C
Voltage	120-277V*
LED Life	50,000 hours
Certification	cETLus, DLC
Housing Material	Die Cast Aluminum
Lens	Prismatic Polycarbonate
Power Factor	0.9
Total Harmonic Distortion	9%
CRI	72
Mounting	Post top Mounting 2-3/8" tenon
Accessories	Photocell
EPA	1.08
Weight	17 lbs



DESCRIPTION

The GAMMA-LED is a sleek, modern post top area light with a Type 5 medium distribution. Intelligently designed, this fixture provides superior lighting performance and significant energy savings over traditional fixtures.

APPLICATIONS



Condos



Pathways



Commercial Properties

FEATURES

- Sleek, modern post top fixture with Type 5 medium beam distribution.
- Prismatic polycarbonate lens for glare-free, even illumination.
- Tabs on the fixture allow for easy, toolless maintenance.
- Photocell is optional.
- 10kV surge suppression is standard.

*The above specs apply to the standard product configuration - GAMMA-LED40-B-4K-T5M-BLK-DIM. For spec information on other product configurations please see page 2.

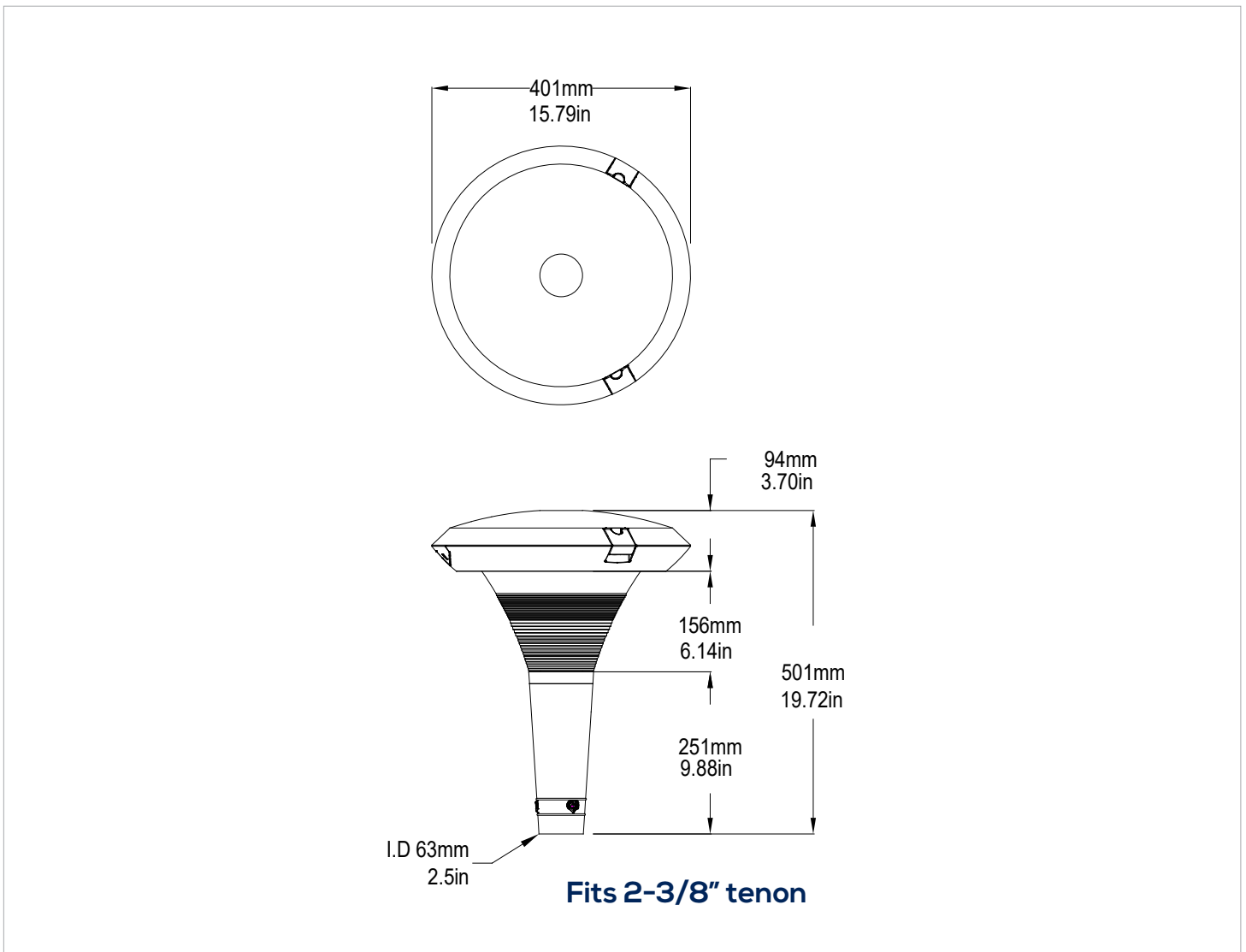
OTHER MODEL SPECIFICATIONS

MODEL DESCRIPTION	VOLTAGE (V)	INPUT POWER (W)	LIGHT OUTPUT	EFFICACY (Lm/W)	THD	PF	CCT	CRI
Gamma-LED40-B-4K-XXX-XXX-DIM	120-277	35.25	3395.2	96.3	9	0.9	4000	72
Gamma-LED40-B-5K-XXX-XXX-DIM	120-277	35.25	3395.2	96.3	9	0.9	5000	72

LEGEND

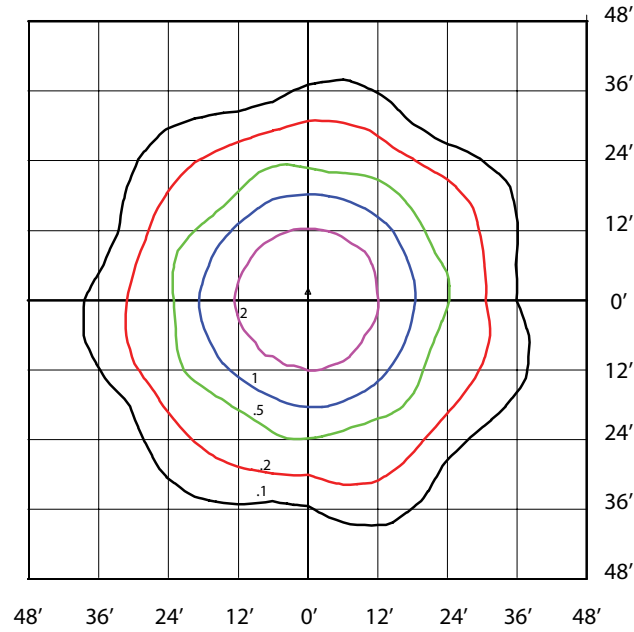
- B - 120V-277V
- 4K - 4000K, 5K - 5000K
- XXX- BEAM TYPE 5 MEDIUM
- XXX - HOUSING FINISH
- DIM - 0-10V DIMMING

DIMENSIONS



PHOTOMETRICS

**GAMMA-LED40-B-4K-T5M-DIM
MOUNTED AT 12 FEET**



ORDERING GUIDE

GAMMA						
WATTS	VOLTAGE	COLOUR TEMP.	BEAM	FINISH	OPTIONS	
LED40	B - 120 - 277V*	4K - 4000K* 5K - 5000K	T5M - TYPE 5 MEDIUM*	BLK-BLACK* CC - CUSTOM COLOUR	DIM - 0-10V DIMMING*	

*Standard Configuration.