



The P8R LED bollard is an architectural bollard in a sleek design that provides uniform, glare free illumination.

APPLICATIONS

The P8R bollard is an architectural bollard suitable for landscape and pathway lighting with glare free distribution. Ideal for use in townhouses, condominiums and parkettes.

Project	
Type	
Date	
Notes	

SPECIFICATIONS

Construction

Unit is a 8" round bollard with a flat top. Body is made from extruded aluminum (.125 wall thickness) and fits over anchor base. It is secured with stainless steel screws. Body has a powder coat paint finish. Upper body is a modular sealed unit to prevent moisture.

Optics

Reflector is a spun aluminum cone, anodized, type V distribution. Internal house shield is available as 90 or 180 degrees.

Lens

Clear acrylic lens. Frosted lens also available.

LEDS

Unit consists of 72 LEDs that deliver 2,805 lumens. Color temperature of LEDs is 5,000K.

Electrical

Unit has high efficiency drivers that are 120 - 277 volts. 347V, 12-36V DC, and 24V AC options are available. System wattage is 29W.

Mounting

Cast aluminum base with four anchor bolts (1/2" x 12"). Lower body is secured to base with stainless steel screws.

Finish

Standard powder coat finishes are Bronze, Sandtex Black and White. Custom colors are available upon request.

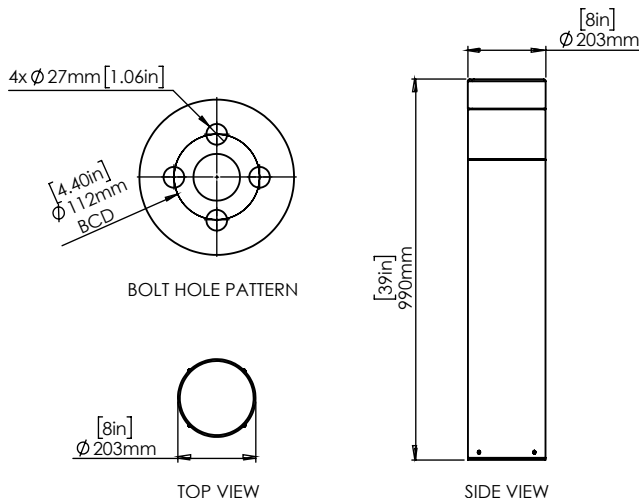
Options

Frosted lens, 90 degree cutoff, 180 degree cutoff.

Input Watts	29W
Lumens	2,805
Efficacy	99 lumens per watt

Certifications	cCSAus
Operating Temperature	-40°C to +40°C
Color Temperature	5000K (standard)
LED life	100,000 hours
Warranty	5 years
Power Factor	0.99
Total Harmonic Distortion	< 20%

DIMENSIONS



ORDERING GUIDE

P8R	-	LED	-	-	-	-	-	-
				VOLTAGE	COLOR TEMP.	FINISH	OPTIONS	
				B - 120 - 277V* 12-36V DC 24V AC	5K - 5000K*	BRZ - BRONZE* SBK - SANDTEX BLACK* WHT - WHITE* CC - CUSTOM COLOR	C90 - 90 DEGREE CUTOFF C180 - 180 DEGREE CUTOFF CL - CLEAR LENS* FR - FROSTED LENS	

* Standard configuration