



# FL3-LED51

LED Flood Light



## SPECIFICATIONS\*

Watts	49.79
Lumens	6642
Efficacy	133.4
Replaces Up To	1000 W Quartz
Colour Temp**	4K*, 5K*
Certification	cULus, IP65, DLC
Operating Temp	-40°C to +40°C
Voltage	120-277*
LED Life	100,000 hours
Housing Material	Die Cast Aluminum
Lens Material	Polycarbonate
Lens Type	clear
Total Harmonic Distortion	19.42
Power Factor	0.916

\*Standard



## DESCRIPTION

The FL3-LED51 is an energy efficient LED flood that replaces a 1000W Quartz fixture.

## APPLICATIONS



Building  
Facades

Patios & Yards

Landscape  
Lighting

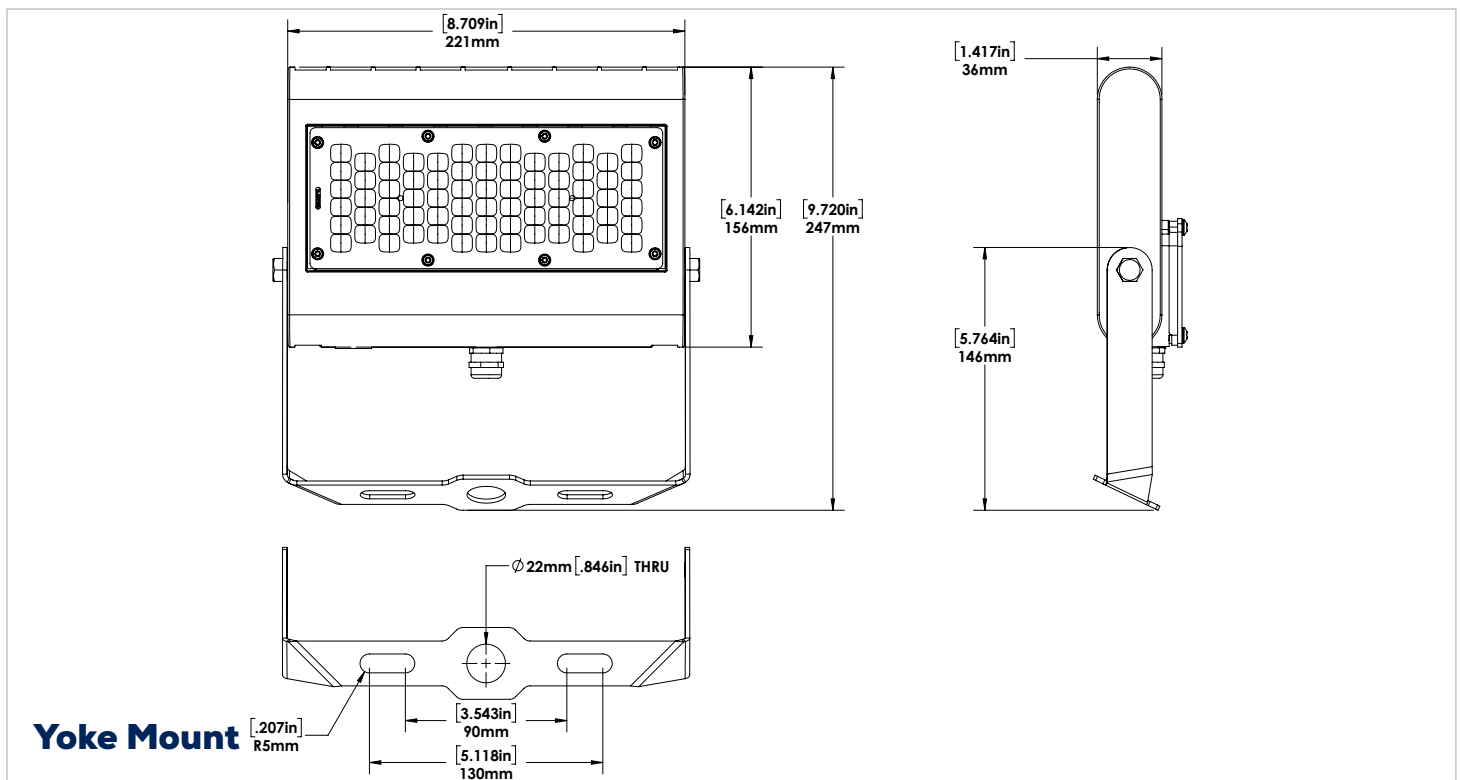
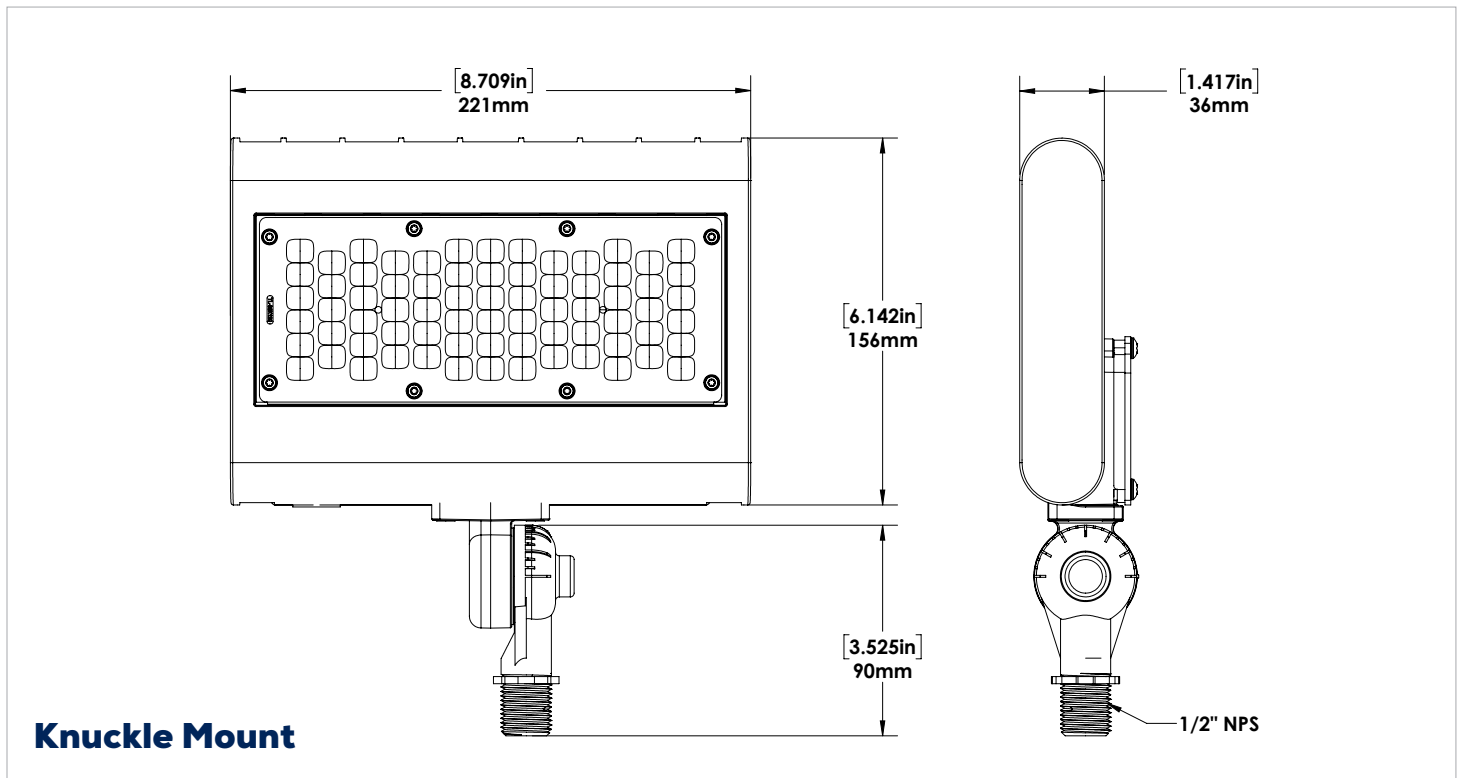
Sign Lighting

## FEATURES

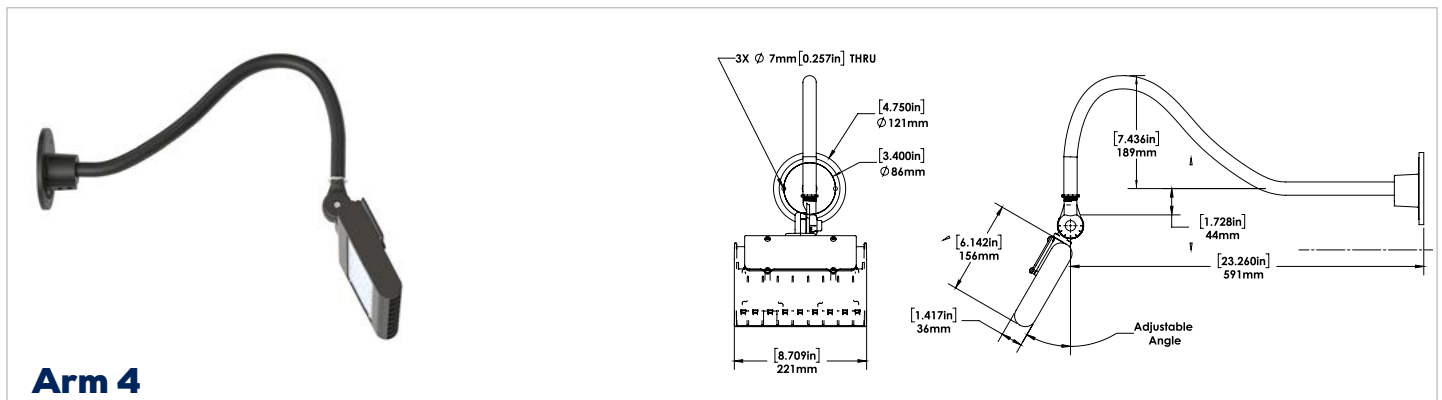
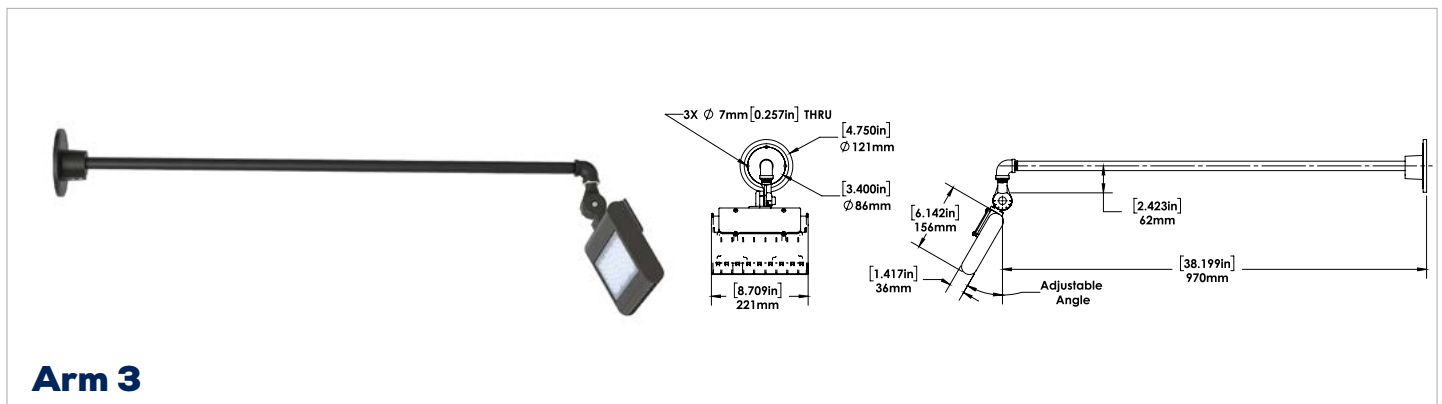
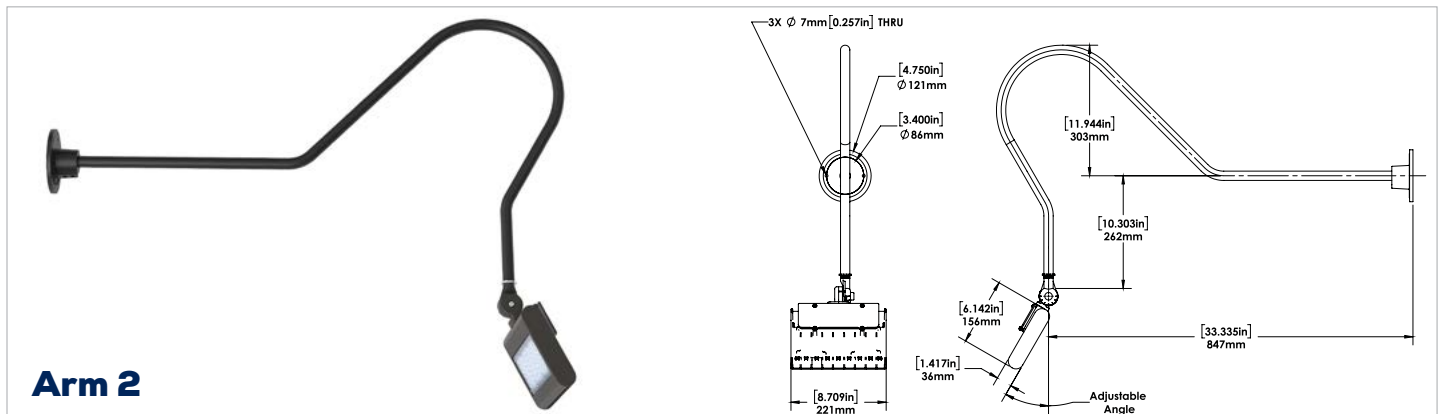
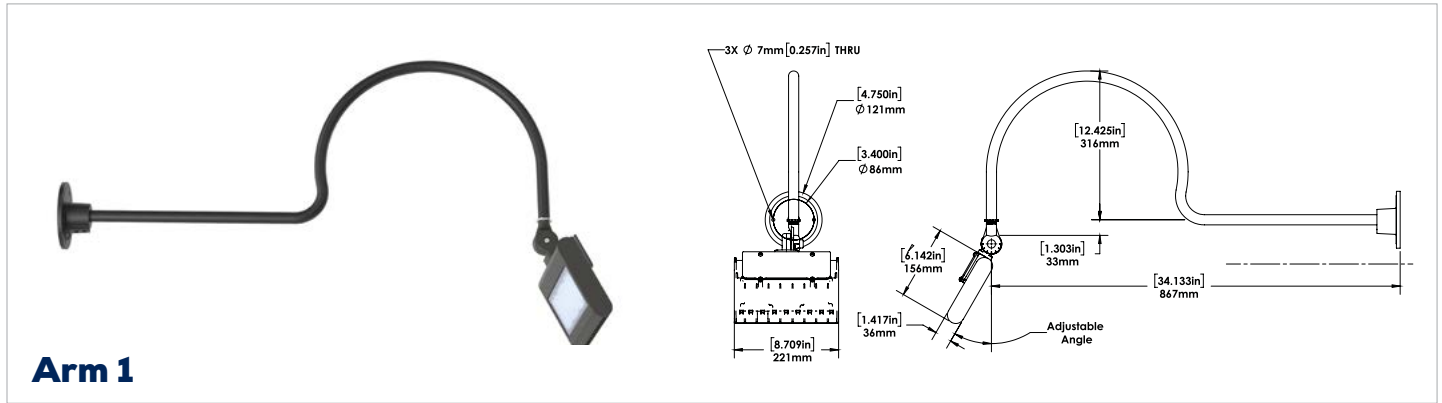
- Die cast aluminum housing with polycarbonate lens.
- Wide 7H X 7V beam is standard.
- Available as a knuckle or yoke mount. Also used as a sign light when combined with various arms.
- Available in 4K or 5K colour temperature.
- Ideal replacement for 1000W Quartz floods.

\*The above specs apply to the standard product configuration. For spec information on other product configurations please see page 2.

**DIMENSIONS**



**SIGN LIGHT DIMENSIONS**



## OTHER MODEL SPECIFICATIONS

DESCRIPTION	VOLTAGE (V)	INPUT POWER (W)	LIGHT OUTPUT	EFFICACY (Lm/W)	THD	PF	CCT	CRI
FL3-LED51-B-4K-XXX-XX	120-277V	49.79	6642	133.4	19.42	0.916	4000	71.9
FL3-LED51-B-5K-XXX-XX	120-277V	49.79	6652	133.6	19.42	0.916	5000	71.9

### LEGEND

B - 120V-277V  
 4K - 4000K, 5K - 5000K  
 XXX - FINISH  
 XX - MOUNTING

## ORDERING GUIDE

### 1. FLOOD LIGHT

FL3	LED51				
WATTS	VOLTAGE	COLOR TEMP.	FINISH	MOUNTING	
	B - 120 - 277V*	4K - 4000K* 5K - 5000K*	BRZ - BRONZE*	KN - KNUCKLE MOUNT* YK - YOKE MOUNT*	

### 2. SIGN LIGHT

FL3	LED51					
WATTS	VOLTAGE	COLOR TEMP.	FINISH	MOUNTING	ARM	
	B - 120 - 277V*	4K - 4000K* 5K - 5000K*	BRZ - BRONZE CC - CUSTOM COLOR	KN - KNUCKLE MOUNT	ARM1 ARM2 ARM3 ARM5	