



AL3-LED

Area Light LED



IDEAL APPLICATIONS

- Roadways
- Parking Lots
- Perimeter Lighting

DESCRIPTION:

The AL-LED fixtures are high efficiency area lights with multiple beam patterns to suit a variety of applications. Intelligently designed, this series of fixtures provides superior lighting performance and significant energy savings over traditional fixtures.

FEATURES:

Construction

- Precision die cast aluminum housing with clear polycarbonate lens. The fixture offers superior heat sinking with air-flow fins on the top.

Optics

- Unit has high efficiency injection molded optics that have an efficacy of 120lm/W. The LEDs have a color temperature option of 3000K, 4000K, 5000K. The CRI is greater than 70 and the operating temperature range is 40°C - to +40°C.

Beam Distribution

- Available in T2, T3, T4 and T5 beam patterns for a wide range of applications.

Mounting

- The AL series can be arm mounted for round or square poles. Wall bracket and slipfitter mount is also available. Mounting options sold separately.

Electrical

- The standard unit has a high efficiency driver that operates at 120 - 277V. 480V also available. 10kV Surge protector included in all fixtures

Finish

- Standard finish is Bronze. Please consult factory for custom color.

Options

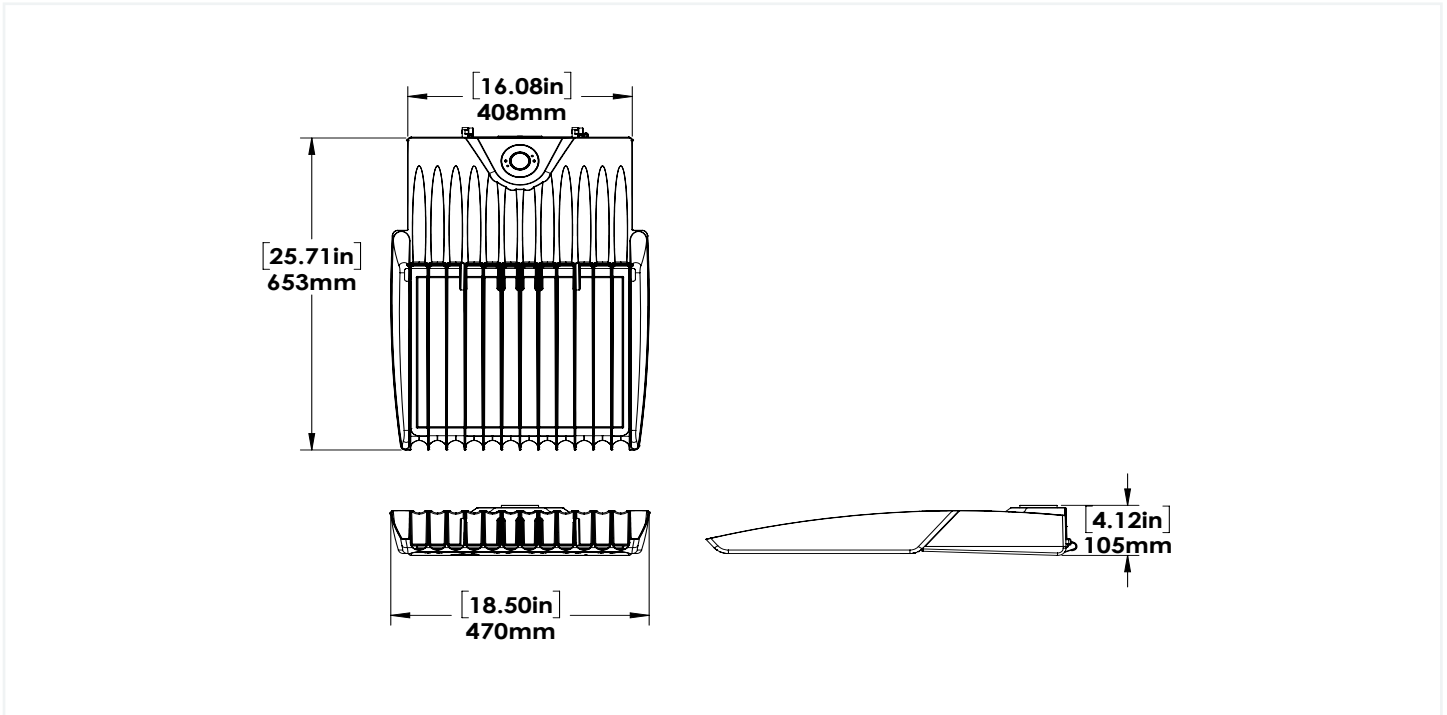
- Factory installed photocell option available.
- Motion Sensor option available.

SPECIFICATIONS	AL3-LED320	AL3-LED400
Watts	313W	380.1W
Lumens	38593lm	46689lm
Efficacy	123.3 lm/W	123.58lm/W
Voltage	120-277V, 480V	
Color Temp	3000K/4000K/5000K	
CRI	72.9	71.3
Dimming	0-10V Dim to Off	
THD*	8.15%	6.45%
PF*	0.99	0.94
Beam Distribution	T2,T3,T4,T5	
LED Life (L80)	>72,000 hours	
Surge Protector	4kV (driver surge protection) and 10kV additional surge suppression	
Housing Finish	Bronze, Custom Colors	
Housing Details	Die Cast Aluminum	
Mounting (Sold Separately)	Slip Fitter, Wall mount Bracket, Arm for Round pole, Arm for Square pole	
Operating Temp.	-40°C to +40°C (-40°F to 104°F)	
Factory Installed Options	Photocontrol	
Certification	UL, 5 Year Warranty, Wet Locations, DLC	

Specs Shown are for 5000K, 120V
Note: 3000K is not DLC listed



DIMENSIONS:



AMPERAGE DRAW & SURGE PROTECTION

	Watts	CURRENT (A)					INTERNAL SURGE PROTECTION (kV)	
		120V	208V	240V	277V	480V	120-277V	480V
AL3-LED320	313	2.739	1.580	1.369	1.186	0.685	10kV	10kV
AL3-LED400	380	3.325	1.918	1.663	1.440	0.831	10kV	10kV

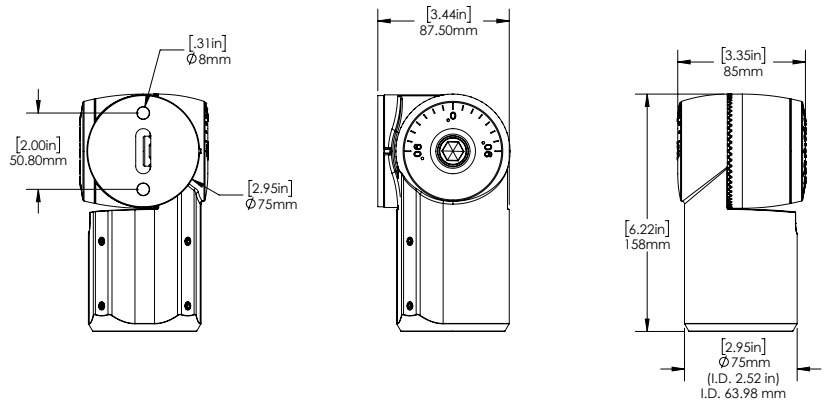
TM-21 ESTIMATED LUMEN MAINTENANCE

	50,000 Hours	75,000 Hours	100,000 Hours
AL3-LED	87.8%	83.0%	78.5%

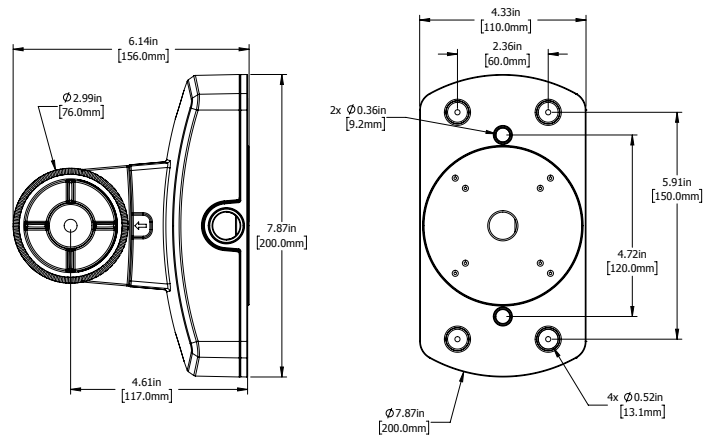
MOUNTING OPTIONS



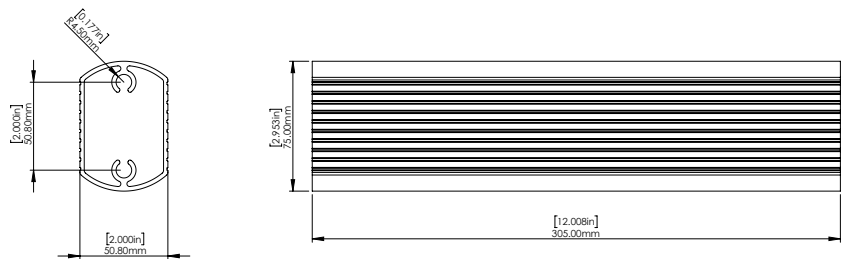
Slipfit Mount for 2 3/8" Tenon
Optional - Factory Installed



Wall Mount Bracket
Optional - order separately
with slip fitter



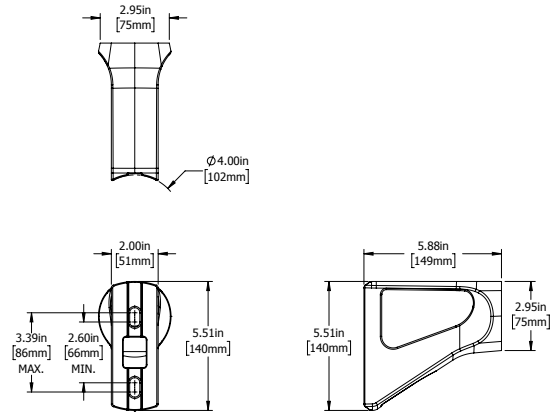
12" Straight Arm for Square Pole
Optional - order separately
(6" Straight arm also available)



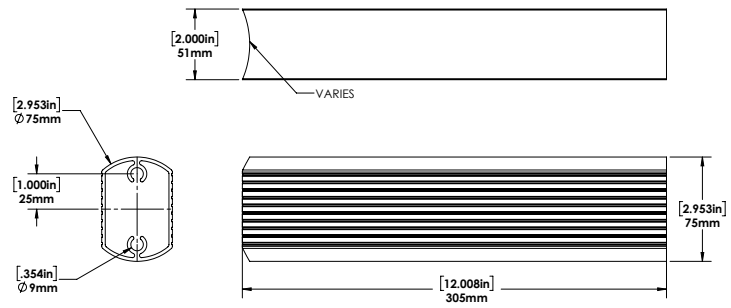
MOUNTING OPTIONS



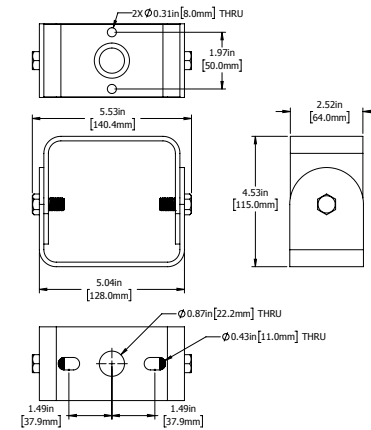
6" Die Cast Arm for 4" Round Pole
Optional - order separately



Round Pole Mount
Optional - order separately



Yoke
Optional - Factory Installed



DMS

360° Passive Infra Red
Dimming Motion Sensor



APPLICATIONS

Outdoor or indoor applications, ideal for use with Highbay fixtures (HB-LED Series), Area Lights for poles <40' high (AL-LED Series) or Linear vapourproof with junction box accessory (LFW-LED Series).

DESCRIPTION

The DMS mounts in an outdoor/indoor lighting fixture and provides multi-level control based on motion and/or daylight contribution. It controls 0-10 VDC LED drivers or dimming ballasts, and is rated for wet and cold locations. All control parameters are adjustable via a wireless configuration tool capable of storing and transmitting sensor profiles.

OPERATION

Typically, the sensor ramps lighting On to the selected High mode level when motion is detected and the ambient light level is below the hold off setpoint. After the sensor stops detecting movement and the time delay elapses, lights fade to the Low mode level. If there is no motion during the subsequent cut off time delay, the lights will turn Off. For dusk to dawn control, the integral photocell can switch the lights On or Off based on the ambient light level so that lighting remains on overnight even without motion detection.

WIRELESS REMOTE CONTROL

Initial setup and subsequent sensor adjustments are made using a remote control. This remote control enables adjustment of parameters and is also used to initiate automatic calibration of the DMS ambient light level setpoint. The setpoint is used to hold the controlled lighting off or at a low level when there is sufficient daylight. The remote control stores up to five sensor parameter profiles to speed the configuration of multiple sensors.

FEATURES

- Provides line voltage On/Off switching and 0-1 0VDC dimming control
- Works with ballasts or LED drivers
- High and low modes fully adjustable from 0 to 1 0V
- Time delay from 5 to 30 minutes
- Optional cut off delay
- Adjustable ramp up and fade down times
- CLASS 2 for whole sensor
- Optional day lighting setpoints feature automatic calibration, and permit manual adjustment.
- Polycarbonate, flame retardant, UV resistant, impact resistant.
- UL773A and FCC.

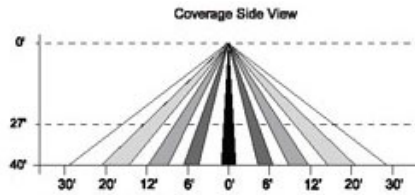
SPECIFICATIONS*

Power Supply	120-277VAC
Maximum Load at -40°C - 70°C	Resistive/Tungsten - 600W@120V Ballast Electronic (LED) - 800/1200VA @120/277V
Dim Control Output	0-10V max. 25mA sinking current
Operating Temperature	-10°C to +40°C
Humidity	Max. 95% RH
Detection Radius/Angle	Max Meters/360°
Mounting Height	Max 40ft
Remote Range	50ft. (15m) indoor, no backlight
Certification	IP66, cULus
Warranty	5 years

***See DMS specification sheet for more details.**



DMS - DIMMABLE MOTION SENSOR



- 0 – 10VDC dimming control
- Multi level dimming from 10%-30%
- Time delay can be set from 5 – 30 minutes
- 360° Range - 40 ft high x 30 ft across

SENSOR DEFAULT SETTING

The sensor has the following default setting:

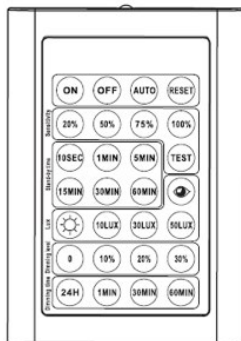
- Sensitivity – 100%
- Standby Time – 5 minutes
- Daylight setting –
- Dimming level – 20%
- Dimming time – 60 mins

WHERE:

1. Sensitivity is the responsiveness to detect movement.
2. Standby time denotes how long the lights remain at 100% lux levels once the sensor is activated
3. Daylight sensor setting sets the natural light levels needed for the sensor to shut off the fixture. The default setting deactivates the daylight sensor completely.
4. Dimming level indicates the level at which light drops after no motion has been detected during the standby time.
5. Dimming time is how long the light will remain at the low dim level on without activity before it turns off.

Sensor is fully adjustable. For custom settings, order Sensor Remote separately.

PROGRAMMING



	<p>The light either permanently turns ON / OFF. Sensor is disabled.</p>		<p>Long press for 3-4s for the sensor to go into test mode which allows the user to test the motion sensor sensitivity in the daylight by disabling the dimming time period and lux level.</p>
	<p>Turns the fixture ON with the last saved settings.</p>		<p>Pressing this button will reset the light to default setting. 1. 100% Sensor sensitivity 2. 5 min stand-by time 3. Lux level at daylight threshold 4. 20% dimming level 5. 60 min dimming period</p>
	<p>Set the sensitivity and range of the motion sensor.</p>		<p>Set the hold - time. When sensor detects motion, the light stays on at the maximum light level for the hold-time period chosen.</p>
	<p>When pressed, sensor will measure the Lux level of the surrounding area and save it. The light will adjust its dimming level based on the changes occurring with the surrounding ambient light</p>		<p>Set the Lux level for the light to operate. The light will turn on after the surrounding light level is less than the light level set on the sensor except the daylight option which disables the Lux settings.</p>
	<p>Set the Stand-by dimming level.</p>		<p>Set the dimming time period. (If set at 24H, the light stays ON). When sensor detects no motion it will stay ON at the dimming level set, for the chosen time.</p>

ORDERING GUIDE:

AL3						DIM		
Fixture	Wattage	Voltage	Color Temp.	Beam	Finish	Dimming	Controls	Mounting
LED320		B - 120-277V*	5K - 5000K*	T2 - Type 2	BRZ - Bronze*	DIM - 0-10V Dimming	BLANK	BLANK
LED400		L - 480V	4K - 4000K	T3 - Type 3	CC - Custom Color		PC- Photocell	SF - Slipfitter
			3K - 3000K	T4 - Type 4				DMS- Dimming Motion Sensor
				T5 - Type 5				

* Standard configuration