



# WP-LED80

LED Wall Light

## SPECIFICATIONS\*

Watts	79
Lumens	9655
Efficacy	123
Replaces Up To	250W MH
Color Temp	5,000K*
Operating Temp	-40°C to +40°C
Voltage	120-277*, 480
LED Life	100,000 hours
Lens Material	Clear Stippled Tempered Glass
Power Factor	0.942
Total Harmonic Distortion	13.8%
CRI	>74

\*Standard



## DESCRIPTION

The WP fixtures are energy efficient wall lights with a traditional look. Available in a 40W or an 80W version, they feature new LED technology with a similar light output to a 150W or 250W MH fixture.

## APPLICATIONS



Entrances



Back Doors



Loading Docks



Perimeter Lighting

## FEATURES

- Energy efficient LED wall light.
- Similar light output to a 250W MH fixture.
- Clear stippled tempered glass lens.

\*The above specs apply to the standard product configuration - WP-LED80, 120-277V, 5K. For spec information on other product configurations please see page 2. **NOTE:** Not all of our product configurations are qualified on the DLC QPL. To view all of our DLC qualified products please visit the DLC qualified products list at [www.designlights.org/qpl](http://www.designlights.org/qpl).

## OTHER MODEL SPECIFICATIONS

MODEL DESCRIPTION	VOLTAGE (V)	INPUT POWER (W)	LIGHT OUTPUT	EFFICACY (Lm/W)	THD	PF	CCT	CRI
WP-LED80-B-5K-XXX-XX	120-277	78.5	9655	122.9	13.8	0.942	5000	74.3
WP-LED80-L-5K-XXX-XX	480	80.1	9550.3	119.2	14.1	0.925	5000	74.5

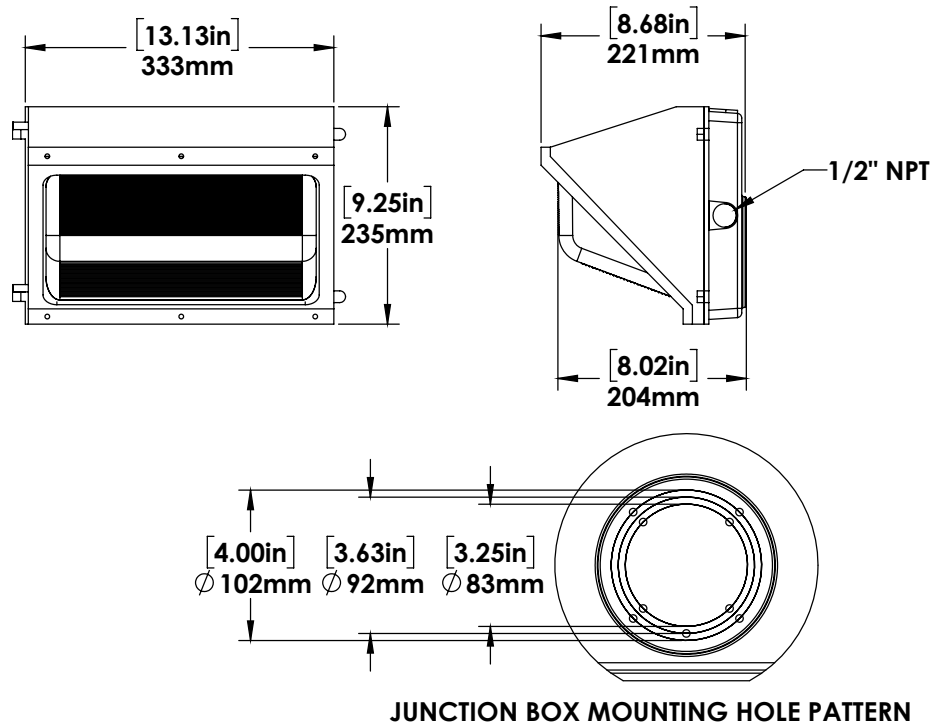
### LEGEND

B - 120V-277V, L - 480V

5K - 5000K

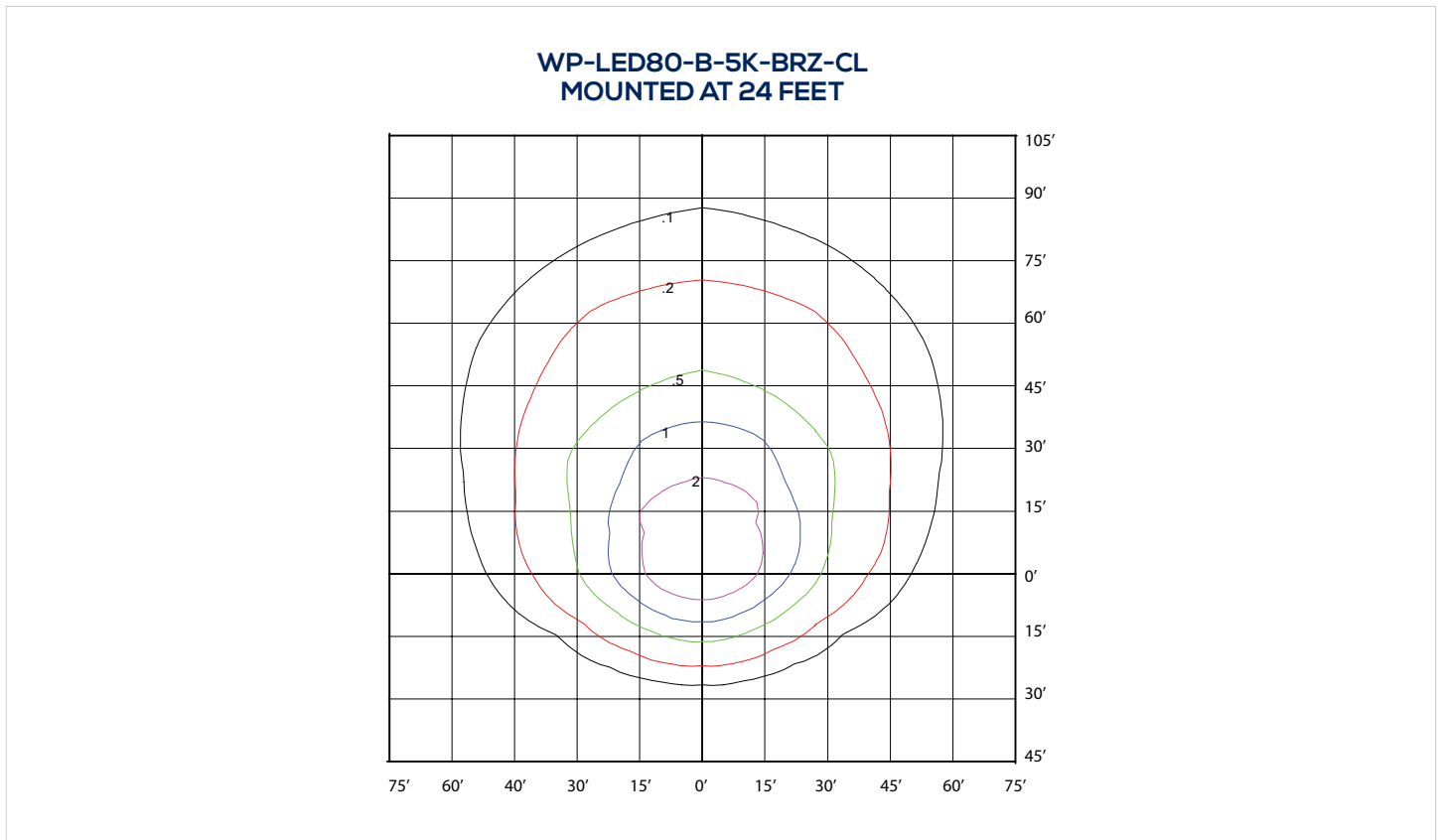
XXX - HOUSING FINISH

## DIMENSIONS



Weight = 7lbs

# PHOTOMETRICS



## ORDERING GUIDE

<b>WP</b>					
WATTS	VOLTAGE	COLOR TEMP.	FINISH	OPTIONS	
LED80	B - 120 - 277V* L - 480V	5K - 5000K*	BRZ - BRONZE* CC - CUSTOM COLOR	PC - PHOTOCELL	

\*Standard Configuration.