

Slim LED Ceiling light ideal for a variety of indoor spaces.



APPLICATIONS

Ideal for utility rooms, work rooms, storage rooms, laundry rooms, and other small spaces.

| | |
|----------------|--|
| Project | |
| Type | |
| Date | |
| Notes | |

SPECIFICATIONS

Construction

Durable thermoplastic housing with built in occupancy sensor. Four mounting holes on housing to position for maximum coverage.

Optics

The fixture delivers a total output of 956 lumens at an efficacy of 80 lumens per watt. LEDs have a color temperature of 4000K natural white. The fixture is ideal for indoor use. LED life of 50,000 hours.

Electrical

Total system wattage of the unit is 12W measured, 14W maximum. The driver operates at 120V.

Mounting

Four mounting holes on housing to position the fixture.

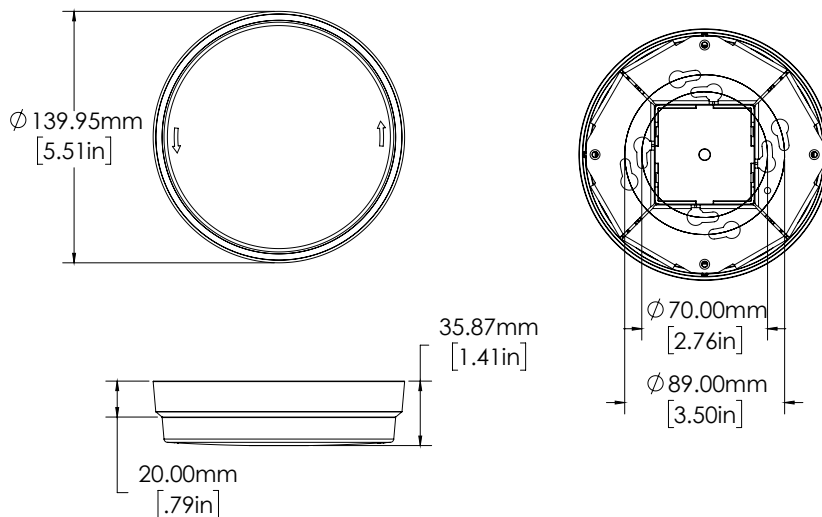
Finish

Standard finish is white.

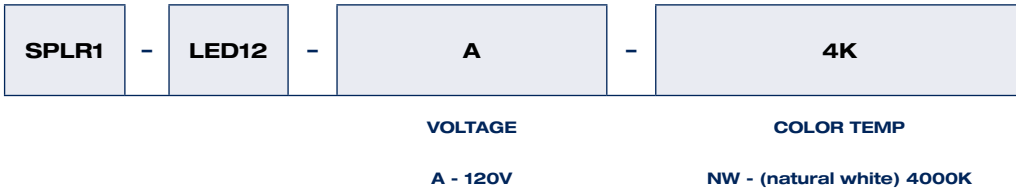
| | |
|--------------------|-------------------------------------|
| Input Watts | 12W measured 14W maximum |
| Lumens | 956 |
| Efficacy | 80 lumens/watt |

| | |
|--------------------------|------------------------------|
| Warranty | 5 Years |
| Color Temperature | 4000K (natural white) |
| LED life | 50,000 hours |
| Voltage | 120V |
| Power Factor | 0.99 |
| CRI | >80 |

DIMENSIONS



ORDERING GUIDE



* Standard configuration