

The SWP-LED is a durable wall light for outdoor use with a slim profile that extends less than 3.5" from the wall.



### APPLICATIONS

**Ideal for facility entrances & exits, building perimeters, storage facilities and loading docks.**

<b>Project</b>	
<b>Type</b>	
<b>Date</b>	
<b>Notes</b>	

### SPECIFICATIONS

#### Construction

Durable polycarbonate housing with aluminum back plate.

#### LED Configuration

The fixture delivers a total lumen output of 1,533 lumens at an efficacy of 101 lumens/watt. This serves as an ideal replacement for a 70W MH fixture. LEDs have a color temperature of 5000K as standard.

#### Electrical

Total system wattage of the unit is 15W. The standard unit has a high efficiency driver that operates at 120V.

#### Photocell

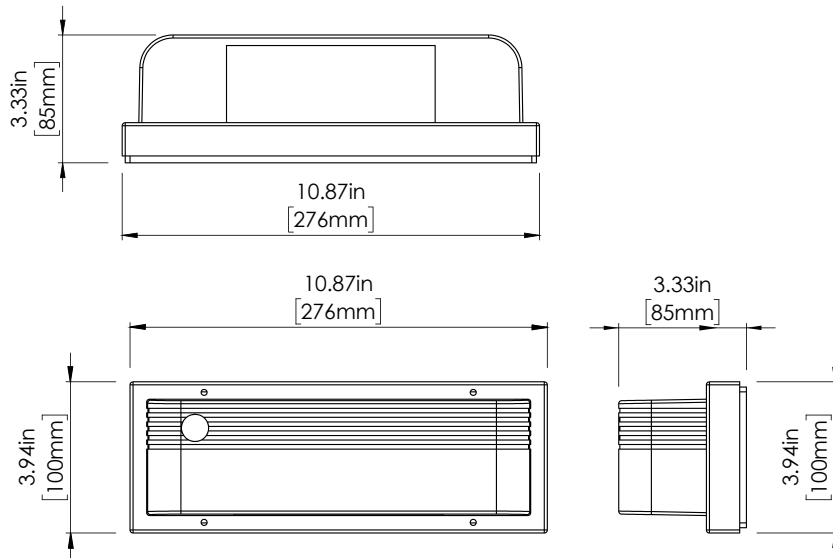
Photocell is included.

#### Finish

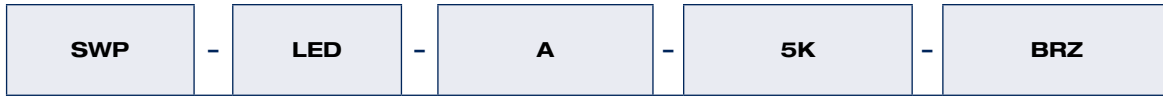
Standard finish is bronze.

<b>Fixture Watts</b>	<b>15W</b>
<b>Lumens</b>	<b>1,533</b>
<b>Efficacy</b>	<b>101 lumens/watt</b>
<b>Rated Life</b>	<b>100,000 hours</b>
<b>Certification</b>	<b>DLC</b>
<b>Color Temperature</b>	<b>5,000K</b>
<b>Warranty</b>	<b>5 Years</b>
<b>Operating temperature</b>	<b>-40° C to +40° C</b>

### DIMENSIONS



ORDERING GUIDE



**VOLTAGE**

**A - 120V\***

**COLOR TEMP**

**5K - 5000K\***

**FINISH**

**BRZ - BRONZE\***

\* Standard configuration