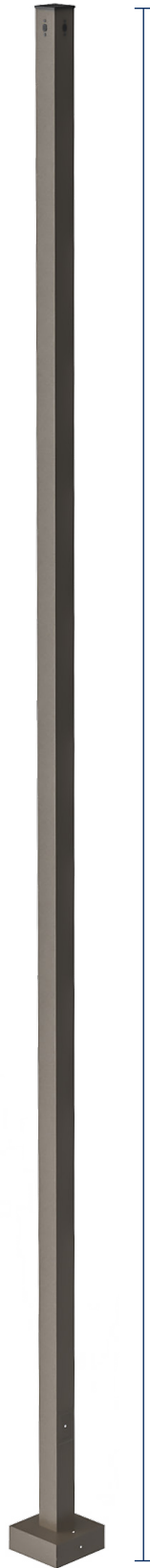




SSSP-Series

Steel Poles



Overall Height
20', 25' or 30'

Handhole 18"

	SSSP4-20-BRZ-G11	SSSP4-25-BRZ-G11	SSSP5-30-BRZ-G11	SSSP5-30-BRZ-G07
Height	20ft	25ft	30ft	30ft
Gauge	11	11	11	7
Nominal Shaft Dimensions	4" square	4" square	5" square	5" square
Wall Thickness	0.118"	0.118"	0.118"	0.177"
Bolt Circle	9"	9"	11"	11"
Bolt Circle (range)	8" - 11"	8" - 11"	10.5"-12"	10.5"-12"
Bolt Square (range)	5.66"-7.78"	5.66"-7.78"	7.47"-8.63"	7.47"-8.63"
Base Plate Square	10.5"	10.5"	11"	11"
Anchor Bolt Size	3/4" x 30" x 4"	3/4" x 30" x 4"	1" x 36" x 4"	1" x 36" x 4"
Bolt Projection	3.5"	3.5"	3.5"	3.5"
Pole Weight	146 lbs	176 lbs	290 lbs	406 lbs

 **Quick Ship Available**

DESCRIPTION

The SSSP square straight steel poles are designed for top or side mounted luminaires, with a universal drill pattern on all four sides of the pole. Polycarbonate plugs are included to cover all unused holes (12 total). SSSP poles are available in 20', 25' and 30' lengths in a dark bronze finish. Pole includes pole cap, base plate cover, handhole cover and anchor bolt template.

Anchor bolts are sold separately and can be pre-shipped upon request.

RECOMMENDED FOR USE WITH:



AL-LED Series

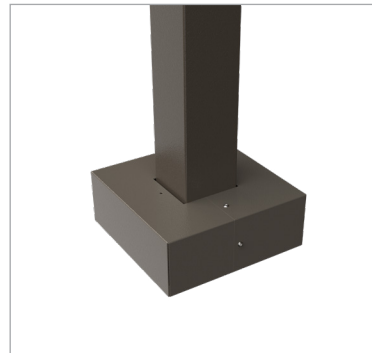
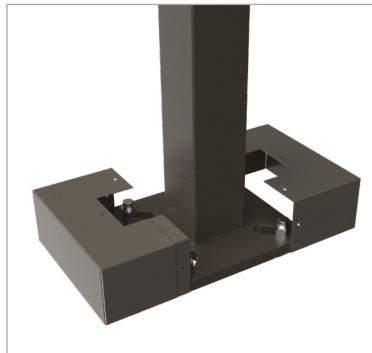
FLA-LED Series

Applications: lighting installations for side and top mounting of luminaires with effective projected area (EPA) not exceeding maximum allowable loading of the specified pole in its installed geographic location.

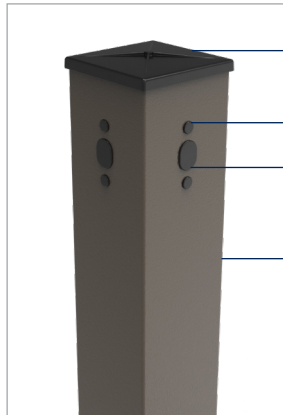
FEATURES

- High grade steel conforming to ASTM-A 500 Grade B, minimum yield strength of 46,000 PSI.
- Pre-drilled universal hole pattern on all four sides for flexible luminaire attachment.
- Polyester powder-coat dark bronze finish baked at 400°F to optimize paint adhesion, durability and hardness.

EASY INSTALL 2 PIECE BASE PLATE COVER



DRILL PATTERN



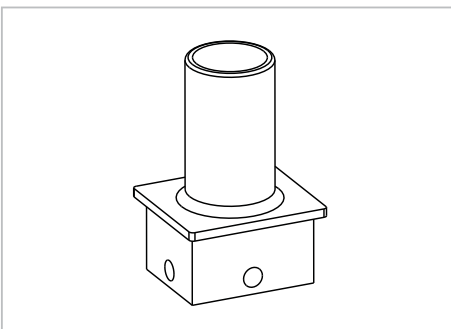
Spring loaded polycarbonate pole cap.

Install up to 4 fixtures.

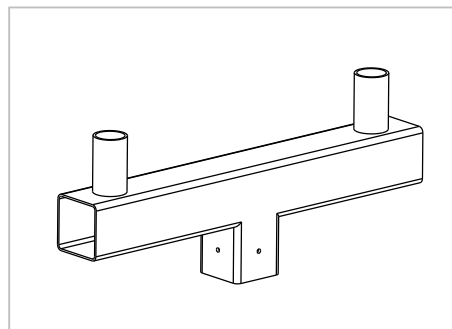
12 plugs provided to seal unused drill holes.

Polyester powder-coat dark bronze finish.

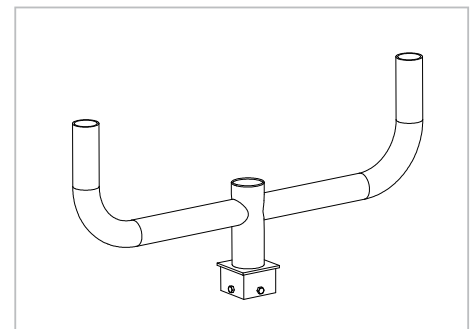
MOUNTING ACCESSORIES (SOLD SEPARATELY)



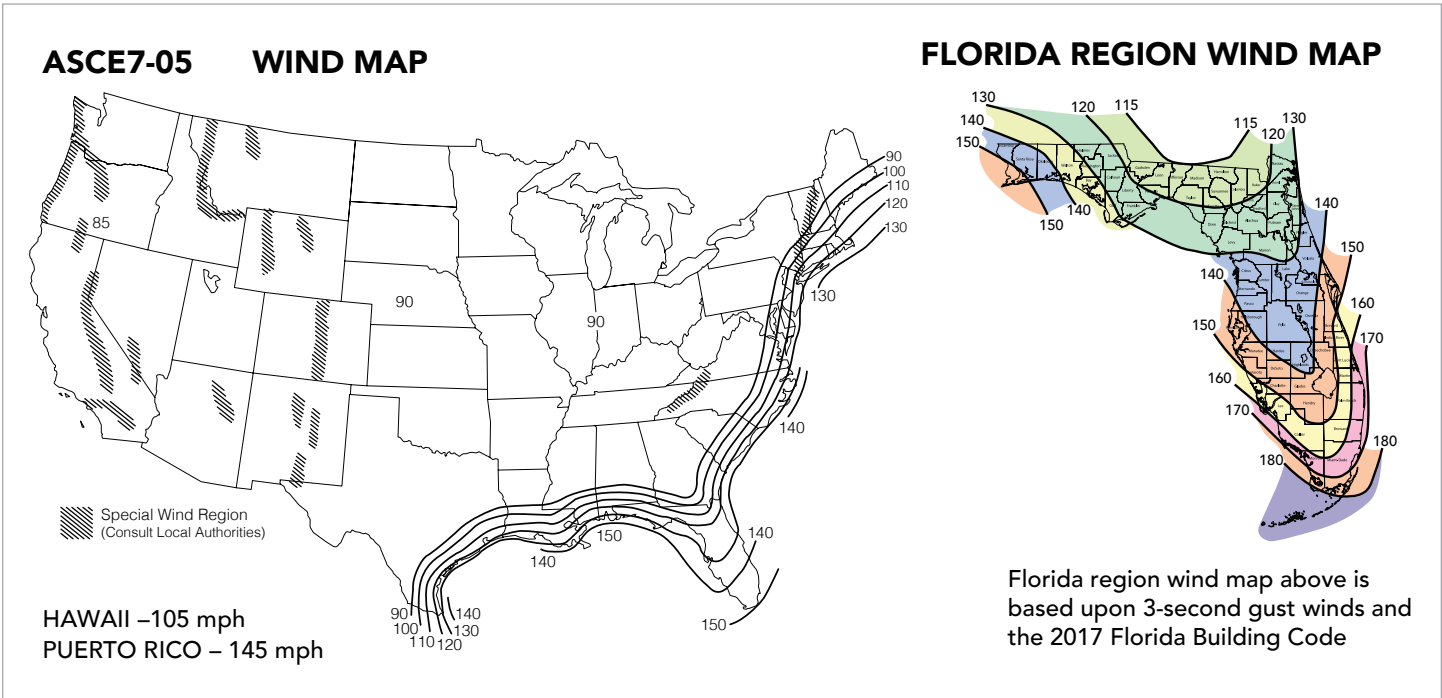
Single Square Vertical Tenon



Twin Square Tenon



180° Double Bullhorn Tenon



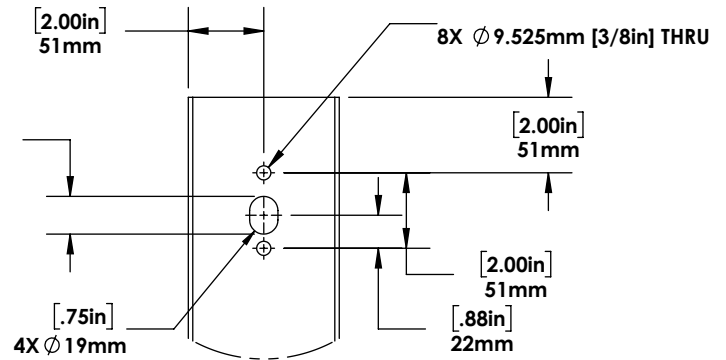
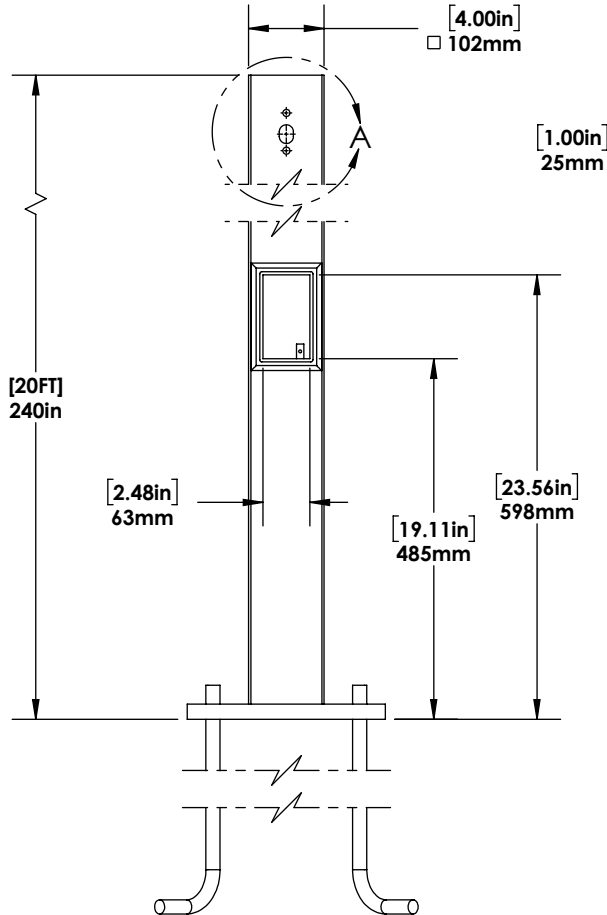
Design Wind Speed (per AASHTO LTS-6)							
Catalog Number	90 mph	100 mph	110 mph	120 mph	130 mph	140 mph	150 mph
SSSP4-20-BRZ-G11	9.1	6.4	4.5	3.0	1.8	.9	.1
SSSP4-25-BRZ-G11	4.5	2.5	1.1	-	-	-	-
SSSP5-30-BRZ-G11	2.7	0.4	--	-	-	-	-
SSSP5-30-BRZ-G07	11.4	7.5	4.7	2.5	0.8	-	-

Mounting Accessory EPA Ratings	
Single Square Vertical Tenon	0.16
Twin Square Tenon	1.36
180° Double Bullhorn Tenon	1.38

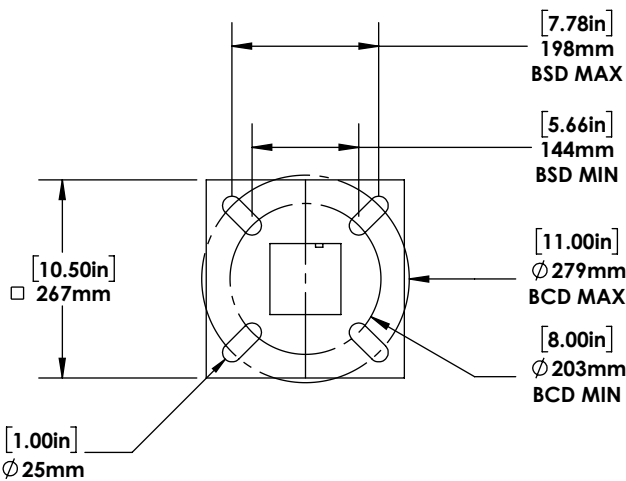
- Allowable EPA, to determine max pole loading weight, multiply allowable EPA by 35 lbs.
- The Wind Maps are intended only as a general guide. Always consult local authorities to determine maximum wind velocities, gusting and unique wind conditions for each specific application.
- Allowable pole EPA for jobsite wind conditions must be equal to or greater than the total EPA for fixtures, arms, and accessories to be assembled to the pole. Responsibility lies with the purchaser/specifier for correct pole selection. Installation of poles without luminaires or attachment of any unauthorized accessories to poles is discouraged and shall void the manufacturer’s warranty.
- Wind speeds and listed EPAs are for ground mounted installations. Poles mounted on structures (such as bridges and buildings) must consider vibration and coefficient of height factors beyond this general guide; Consult local and federal standards.
- Wind Induced Vibration brought on by steady, unidirectional winds and other unpredictable aerodynamic forces are not included in wind velocity ratings.
- Extreme Wind Events like, Hurricanes, Typhoons, Cyclones, or Tornadoes may expose poles to flying debris, wind shear or other detrimental effects not included in wind velocity ratings.
- Due to our continued efforts to improve our products, product specifications are subject to change without notice.

DIMENSIONS

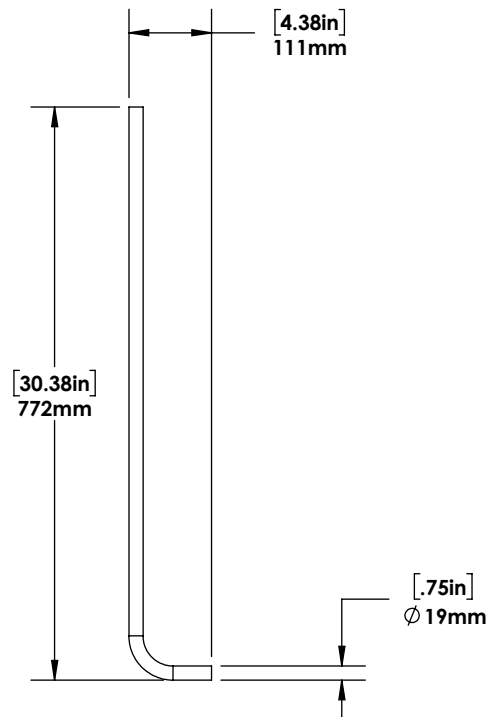
20FT POLE - 4" x 4" POLE SHAFT



DETAIL A
SCALE 1 : 5



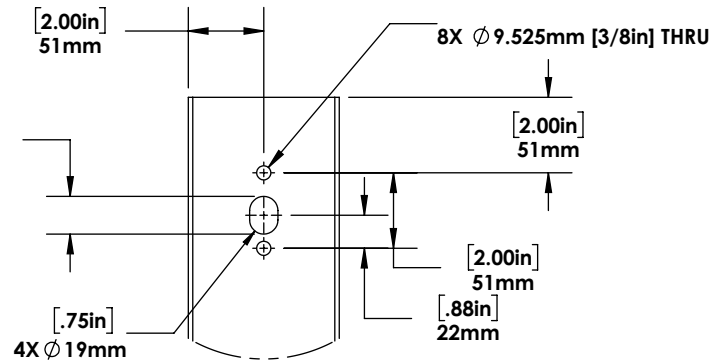
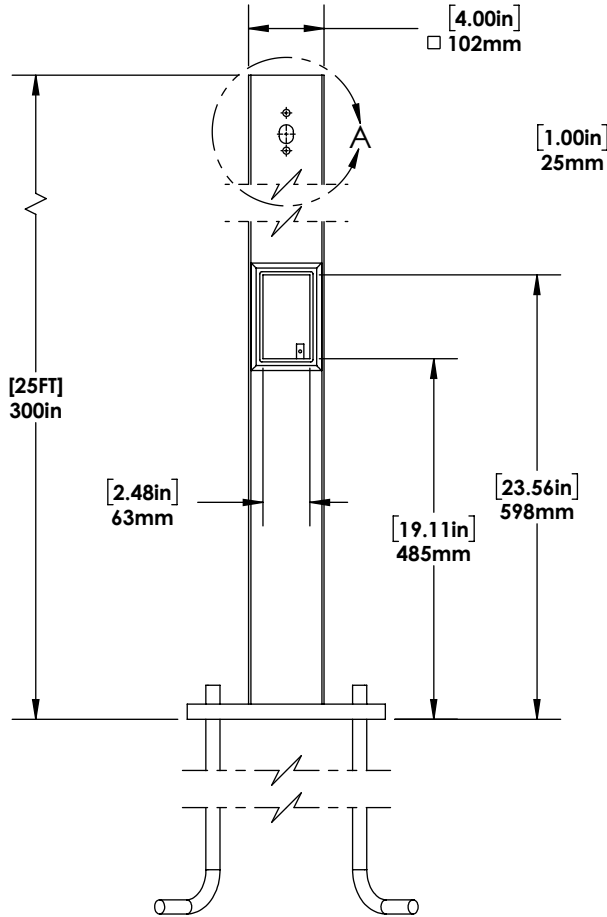
BOTTOM OF POLE HOLE TEMPLATE
1:10 SCALE



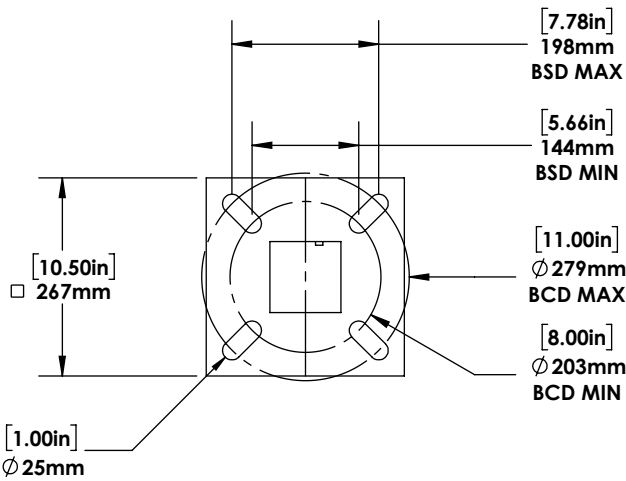
DETAILED VIEW FOR ANCHOR BOLTS
1:10 SCALE

DIMENSIONS

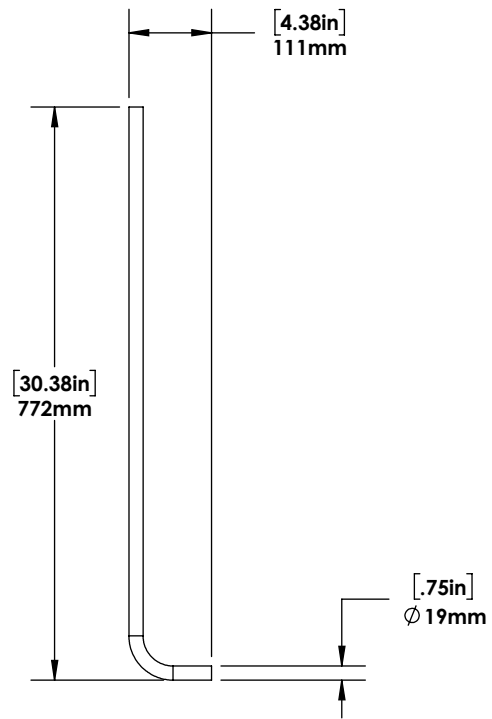
25FT POLE - 4" x 4" POLE SHAFT



DETAIL A
SCALE 1 : 5



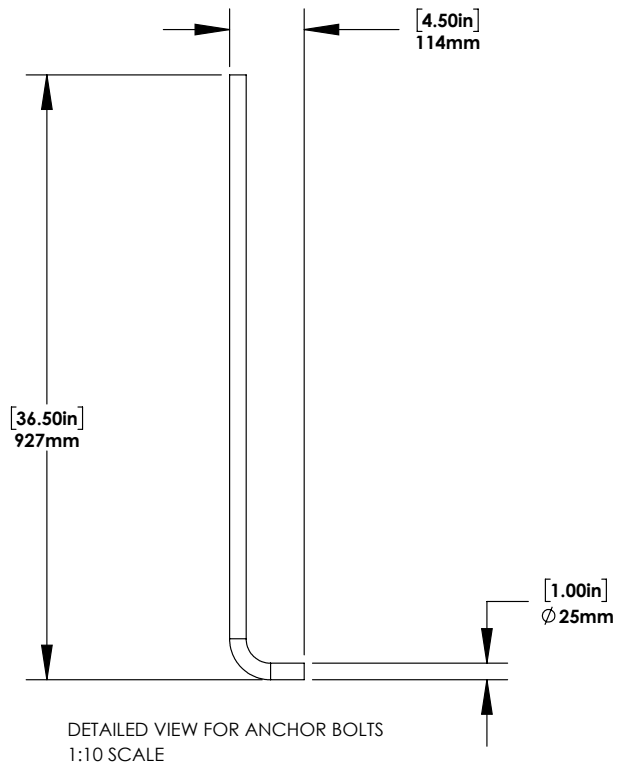
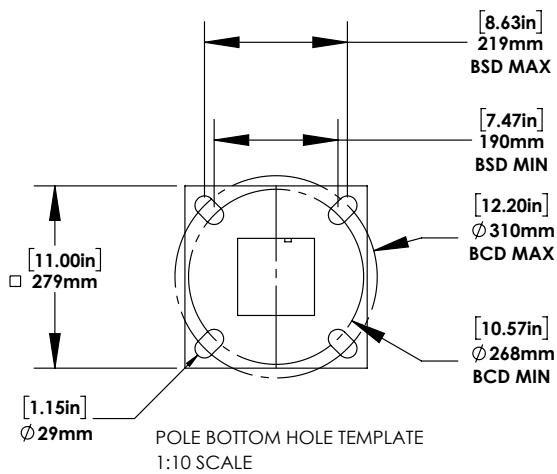
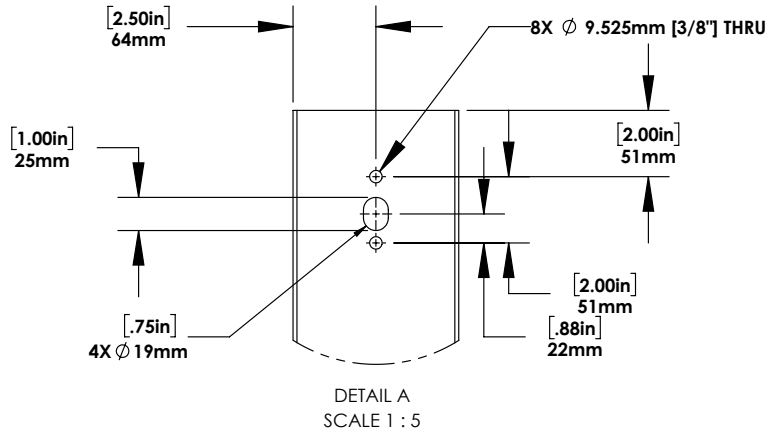
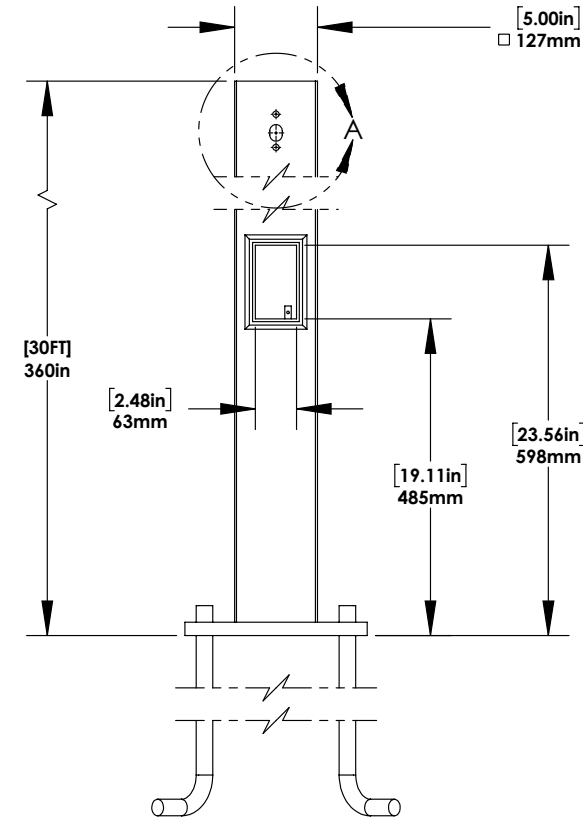
BOTTOM OF POLE HOLE TEMPLATE
1:10 SCALE




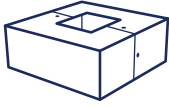

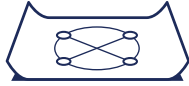
DETAILED VIEW FOR ANCHOR BOLTS
1:10 SCALE

DIMENSIONS

30FT POLE - 5" x 5" POLE SHAFT



INCLUDED WITH EVERY ORDER

 <p>Spring Loaded Polycarbonate Pole Cap</p>	 <p>2 Piece Base Plate Cover</p>	 <p>Reinforced Cast-Iron Hand Hole Cover With Ground Screw</p>	 <p>Printable Bolt Circle Template</p>
---	---	---	--

ORDERING GUIDE

Enter the quantity of the items you would like to order:

STEEL POLES:

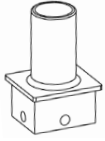
	SSSP4-20-BRZ-G11	Quantity: <input type="text"/> Square 4" x 4" Height: 20ft Finish: Bronze Gauge: 11 Stock Code: 051756
	SSSP4-25-BRZ-G11	Quantity: <input type="text"/> Square 4" x 4" Height: 25ft Finish: Bronze Gauge: 11 Stock Code: 051757
	SSSP5-30-BRZ-G11	Quantity: <input type="text"/> Square 5" x 5" Height: 30ft Finish: Bronze Gauge: 11 Stock Code: 051758
	SSSP5-30-BRZ-G07	Quantity: <input type="text"/> Square 5" x 5" Height: 30ft Finish: Bronze Gauge: 7 Stock Code: 051759

ANCHOR BOLTS:

	J-ANCH BOLT F/20 & 25 FT	Quantity: <input type="text"/> J-Bolts (Set of 4) for 20' and 25' SSSP4 Poles Stock Code: 051760
	J-ANCH BOLT F/30 FT	Quantity: <input type="text"/> J-Bolts (Set of 4) for 30' SSSP5 Poles Stock Code: 051761

• Factory supplied template must be used when setting anchor bolts. RDA Lighting will deny any claim for incorrect anchorage placement resulting from failure to use factory supplied template and anchor bolts.
 • For diameter and depth of concrete pads for anchor bolts, please consult a qualified engineer.

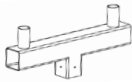
SINGLE SQUARE VERTICLE TENON:



VERTICAL TENON BRZ F/SSSP4	
Quantity: <input type="text"/>	Vertical tenon for SSSP4 Poles W/ 2-3/8 outer diameter TENON Stock Code: 051768

VERTICAL TENON BRZ F/SSSP5	
Quantity: <input type="text"/>	Vertical tenon for SSSP5 Poles W/ 2-3/8 outer diameter 3.75" TALL TENON Stock Code: 051770

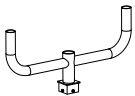
TWIN SQUARE TENON:



DUAL VERTICAL TENON BRZ F/SSSP4	
Quantity: <input type="text"/>	Dual Vertical tenon for SSSP4 Poles W/ 2-3/8 outer diameter 3.75" TALL TENON Stock Code: 051769

DUAL VERTICAL TENON BRZ F/SSSP5	
Quantity: <input type="text"/>	Dual Vertical tenon for SSSP4 Poles W/ 2-3/8 outer diameter 3.75" TALL TENON Stock Code: 051771

180° DOUBLE BULLHORN TENON:



PA2-180-BRZ F/SSSP4	
Quantity: <input type="text"/>	Double Bullhorn tenon for SSSP4 Poles W/ 2-3/8 outer diameter TENON Stock Code: 051766

PA2-180-BRZ F/SSSP5	
Quantity: <input type="text"/>	Double Bullhorn tenon for SSSP5 Poles W/ 2-3/8 outer diameter TENON Stock Code: 051767

WARRANTY

Steel pole structural integrity: limited three (3) year warranty.
Steel pole finish: limited one (1) year warranty.