



SL4-LED30

LED Strip Light



SPECIFICATIONS*

Watts	32
Lumens	4,017
Efficacy	125
Replaces Up To	2 Lamp T8
Color Temp	Variable - 3K, 4K, 5K
Certification	cULus, IP20, DLC
Operating Temp	-30°C to +40°C
Voltage	120-277*
LED Life	50,000 hours
Housing Material	Steel
Lens Material	Polycarbonate
Lens Type	Frosted
Accessories	Reflector Wings Kit
Total Harmonic Distortion	9.05
Power Factor	0.993

*Standard

**Color temperature is variable and can be changed on the fixture with a switch. The default switch setting is set to 4K on the fixture. Light output varies according to the color temperature selected as seen in the spec table on page 2.



DESCRIPTION

The SL4-LED30 strip light provides a highly efficient lumen output of approx. 4000 lumens. The frosted linear lens provides uniform light distribution ideal for use in shops, coves and general area lighting.

APPLICATIONS



Shops



Cove Lighting



General Area Lighting

FEATURES

- Fixture can be set at a color temperature of 3000K, 4000K or 5000K while installing through a switch inside the housing
- Narrow, linear design with frosted lens for uniform light distribution
- Join up to 25 fixtures on a single circuit using easy connector steel plates. Please note fixtures need to be wired through the continuous row.

*The above specs apply to the standard product configuration. For spec information on other product configurations please see page 2.

OTHER MODEL SPECIFICATIONS

MODEL DESCRIPTION	VOLTAGE (V)	INPUT POWER (W)	LIGHT OUTPUT	EFFICACY (Lm/W)	THD	PF	CCT	CRI
SL4-LED30-B-VK-DIM	120-277	32.2	3600.2	111.7	9.27	0.9936	2908	83
	120-277	32.2	4017	124.7	9.05	0.9931	3854	85
	120-277	32.6	3913	120.2	8.98	0.9936	5046	82.5

LEGEND

B - 120V-277V, L - 480V

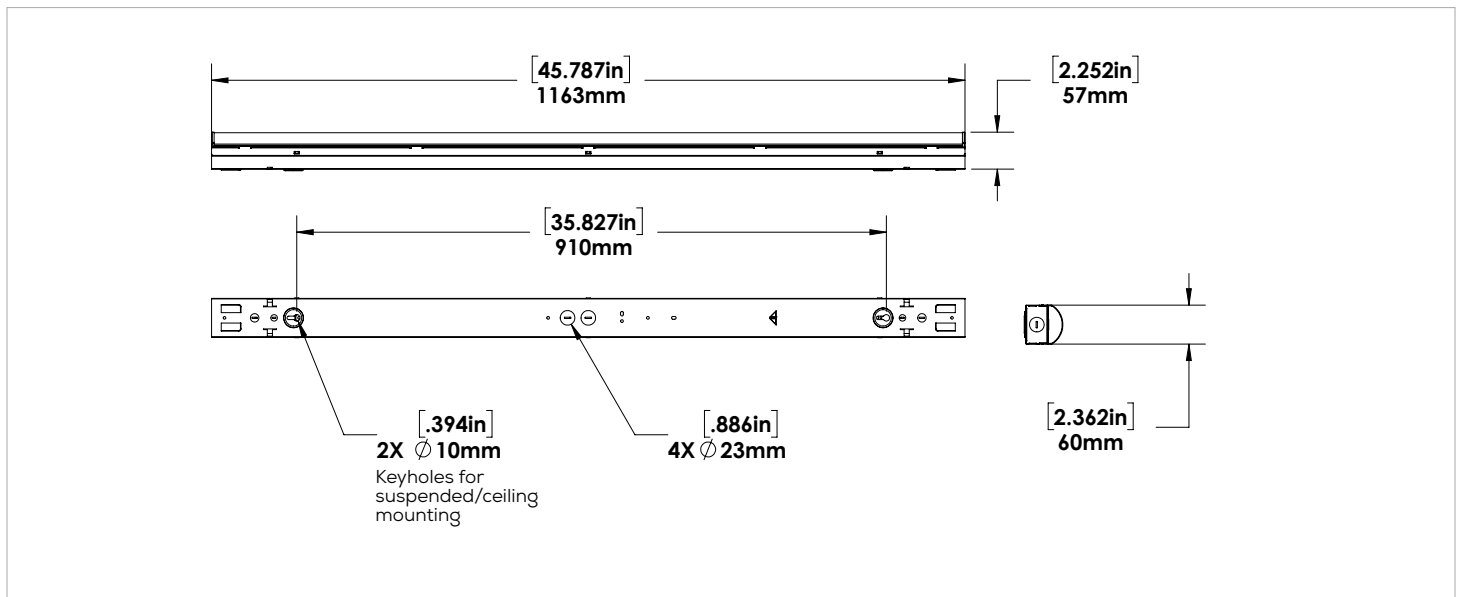
3K - 3000K, 4K - 4000K, 5K - 5000K

Color temperature is variable and can be changed on the fixture with a switch.

Light output varies according to the color temperature selected as seen in above table.

DIM - DIMMABLE

DIMENSIONS



COLOR TUNABLE SWITCH

The switch is located inside of the fixture.

1. 5000K
2. 4000K
3. 3000K

5000K **4000K** **3000K**
(Default switch setting)

Easily change the color temperature with the flip of a switch.

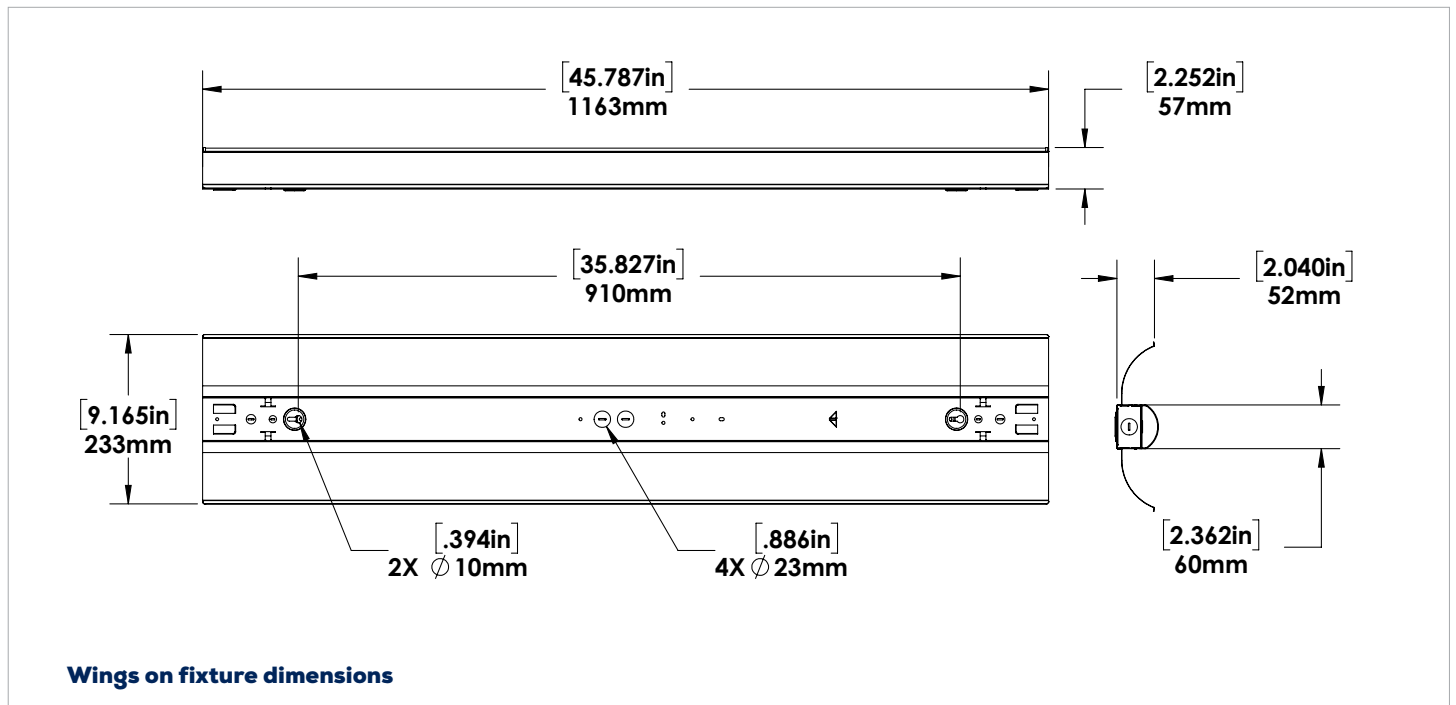
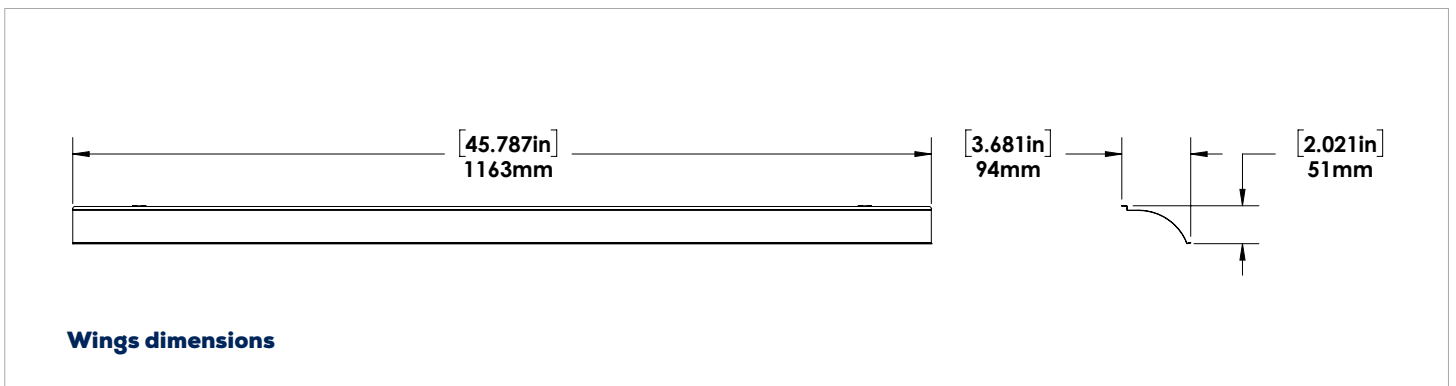
1. TOP position = 5000K
2. MIDDLE position = 4000K
3. BOTTOM position = 3000K

ACCESSORIES (SOLD SEPARATELY)

Linear Ceiling Pendant Mount Kit

Contains 2 x 5 foot aircraft cables with ceiling mounting plates, fixture mounting rod and nut, 6 drywall anchors, and 6 screws.

ACCESSORIES



ACCESSORIES (SOLD SEPARATELY)

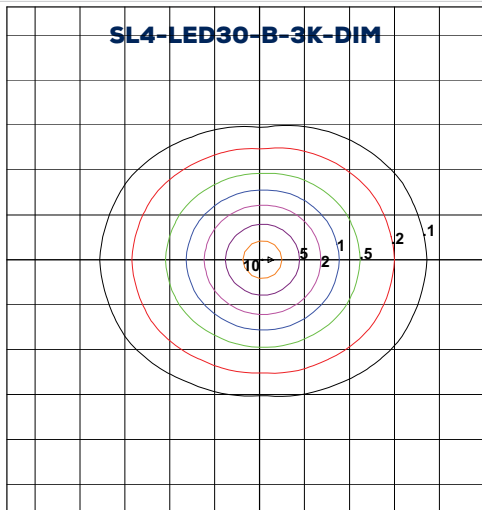
Extension Box for Sensor

High frequency motion sensor is installed inside extension box. Motion sensor can be attached to a single fixture and connected to a row of up to 10 fixtures.

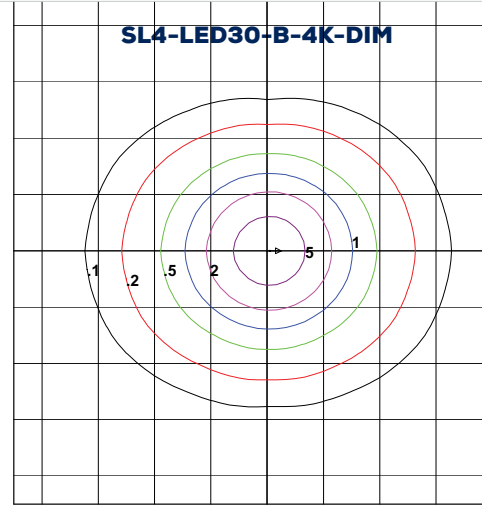
Sensor will be added in the factory.



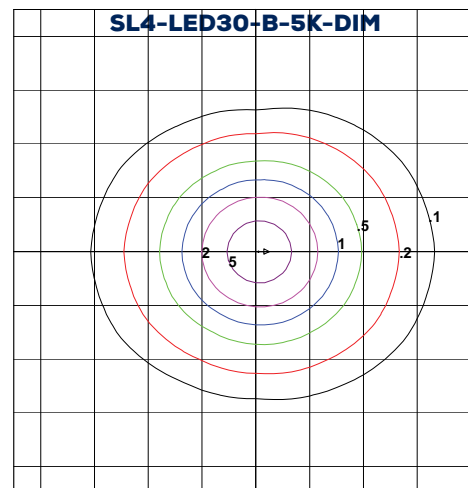
CANDELA PLOTS



SL4-LED30-B-3K-DIM
SL4-LED30-B-3K-DIM
SL4-LED30-B-3K-DIM: MH=8.00ft



SL4-LED30-B-4K-DIM
SL4-LED30-B-4K-DIM
SL4-LED30-B-4K-DIM: MH=10.00ft



SL4-LED30-B-5K-DIM
SL4-LED30-B-5K-DIM
SL4-LED30-B-5K-DIM: MH=10.00ft

ORDERING GUIDE

SL4	LED30				
WATTS	VOLTAGE	COLOUR TEMP.	DRIVER	OPTIONS	
	B - 120 - 277V*	VK - COLOUR TUNABLE (Can be changed from 3K, to 4K, or 5K)	DIM - DIMMABLE DRIVER*	DHFS - Dimming High Frequency Sensor	

* Standard

FIELD INSTALLED ACCESSORIES

CHECK THE ACCESSORIES YOU WISH TO ORDER:

SL4-LED Reflector Wings Kit - WHT

Linear Ceiling Pendant Mount Kit