

The RFL4-LED103 is a sleek, ruggedly designed, high efficiency floodlight. This LED flood has multiple mounting options and accessories to suit a wide range of applications.



### APPLICATIONS

**Ideal for building façades, sign lighting, area lighting, and wall washing in both commercial and industrial applications.**

<b>Project</b>	
<b>Type</b>	
<b>Date</b>	
<b>Notes</b>	

### SPECIFICATIONS

#### Construction

Precision die cast aluminum housing with clear polycarbonate lens. Superior heat sink design with air-flow fins on the top and bottom to maximize fixture life.

#### LED configuration

Each unit has three high efficiency Chips on Board (COBs) that delivers minimum 12,360 lumens. The LEDs have a color temperature of 5000K as standard. 4000K, 3000K also available. The CRI is greater than 70 and the operating temperature range is -40°C to +40°C.

#### Beam Distribution

NEMA 6HX 6V (wide) is standard. NEMA 3H X 3V (narrow) is available as an option.

#### Electrical

Total system wattage of the unit is 103W. The standard unit has a high efficiency driver that operates at 120 - 277V.

#### Mounting

Standard unit is available with three mounting options:  
 - Yoke mount - 4.53" Yoke with watertight connector.  
 - Slip Fitter - fits on 2 3/8" tenon and can be bull horn mounted in various configurations.  
 - Wall mount - complete with a wall bracket.  
 Please contact us to learn more.

#### Finish

Standard finish is Bronze. Please consult factory for custom color.

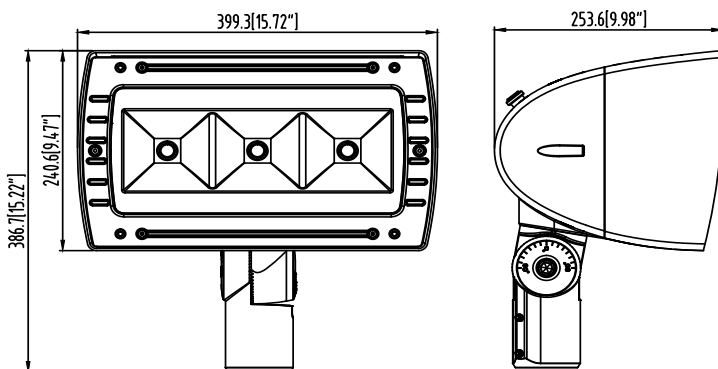
#### Accessories

Visor, Polycarbonate lens, Photocell, Wire Guard, Phillips Dynadimmer. Phillips Dynadimmer dims the fixture to 25% for 6 hours instead of operating at 100% at all times.

<b>Watts</b>	<b>103W</b>
<b>Lumens</b>	<b>min. 12,360</b>
<b>Efficacy</b>	<b>min. 120 lumens per watt</b>

<b>Operating Temperature</b>	<b>-40°C to +40°C</b>
<b>Certification</b>	<b>cULus, IP65</b>
<b>Warranty</b>	<b>5 Years</b>
<b>Color Temperature</b>	<b>5000K (standard) 4000K (option) 3000K (option)</b>
<b>LED life</b>	<b>100,000 hours</b>
<b>Effective Projected Area (EPA Rating)</b>	<b>1.1 sq ft</b>
<b>Total Harmonic Distortion</b>	<b>10%</b>
<b>Power Factor</b>	<b>0.986</b>

### DIMENSIONS

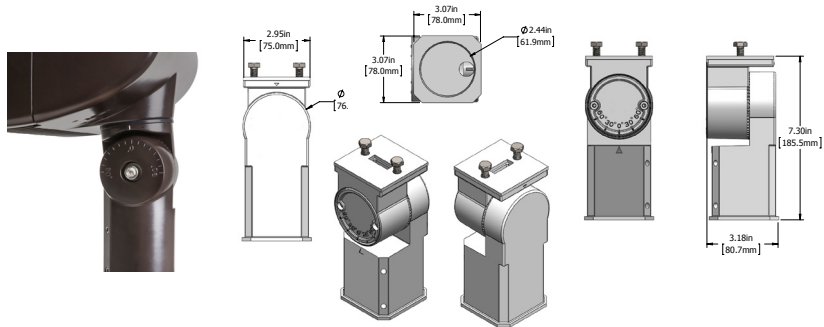


**With optional Narrow beam (3X3)**

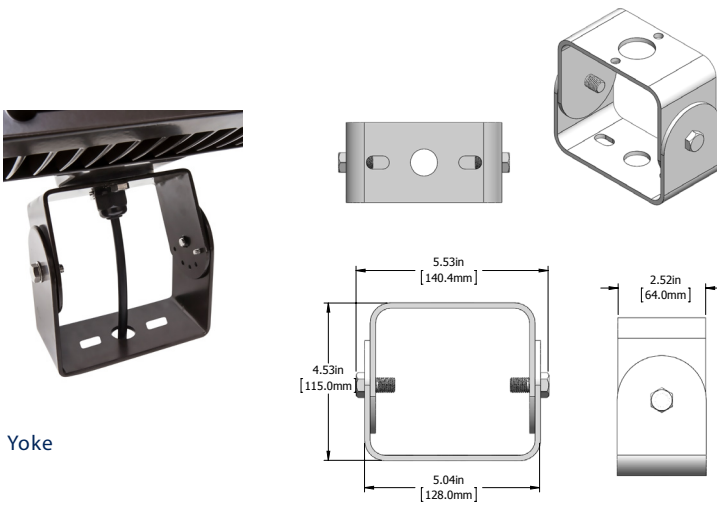


**MOUNTING OPTIONS**

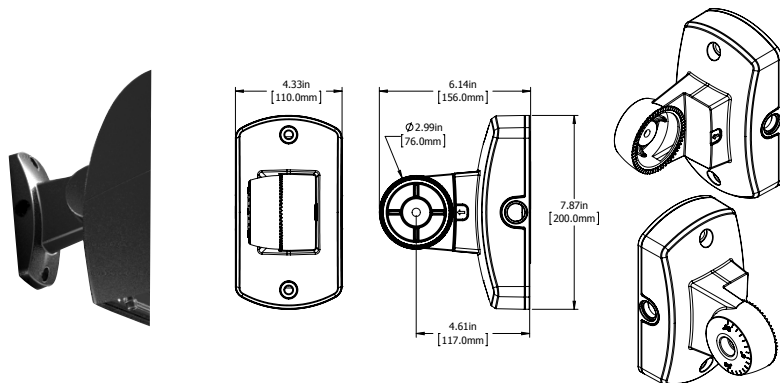
Slipfitter, Yoke, Wall bracket



Slipfitter



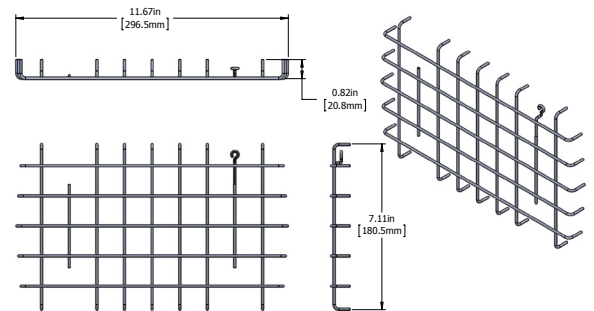
Yoke



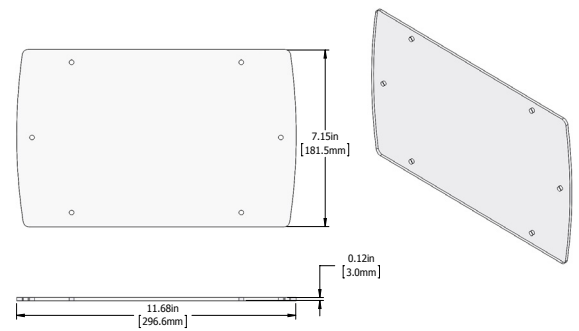
Wall bracket

**ACCESSORIES**

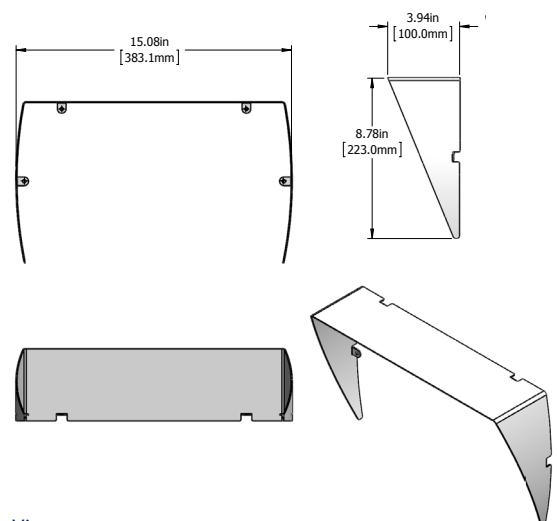
Polycarbonate lens, Wire guard, Visor



Wire Guard



Polycarbonate lens



Visor

ORDERING GUIDE

<b>RFL4</b>	<b>LED103</b>						
		<b>VOLTAGE</b>	<b>COLOR TEMP</b>	<b>BEAM</b>	<b>FINISH</b>	<b>MOUNTING</b>	<b>OPTIONS</b>
		<b>B - 120 - 277V*</b> <b>A - 120V</b> <b>F - 277V</b>	<b>5K - 5000K*</b> <b>4K - 4000K</b> <b>3K - 3000K</b>	<b>W - Wide (6X6)*</b> <b>N - Narrow (3X3)</b>	<b>BRZ - BRONZE*</b> <b>CC - CUSTOM COLOR</b>	<b>YK - Yoke*</b> <b>SF - Slipfit*</b> <b>WM - Wall Mount*</b>	<b>V - Visor</b> <b>WG - Wire Guard</b> <b>PCL - Polycarbonate Lens</b> <b>PC - Photocell</b>

\*Standard configuration

\*\* Wall mount ordered and shipped separately.